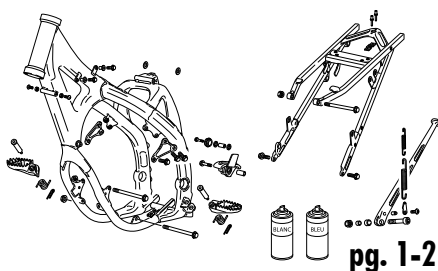
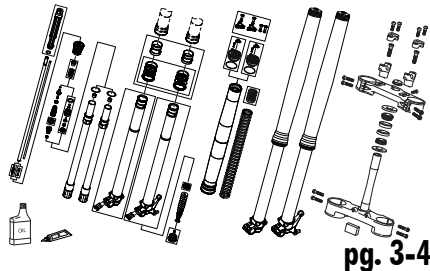
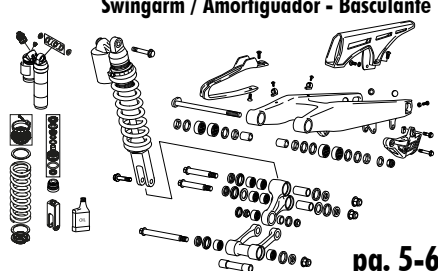
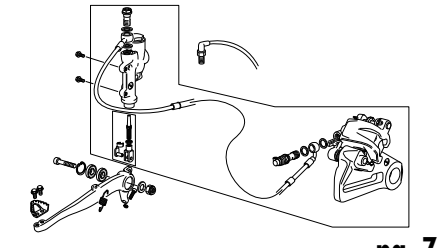
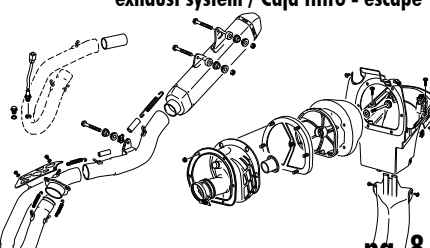
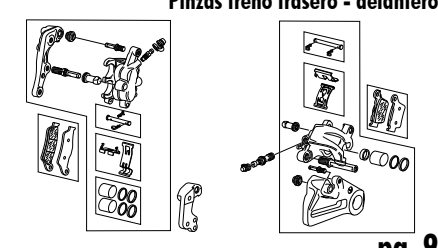
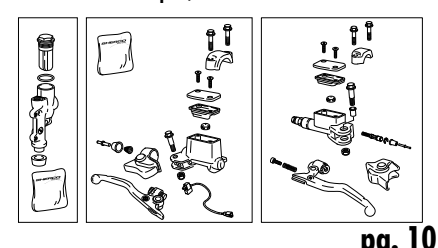
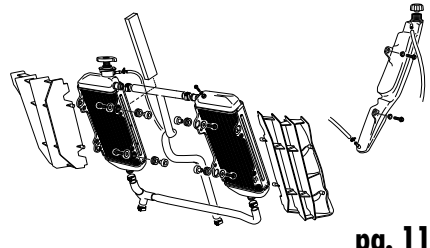
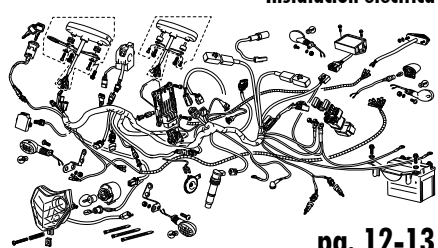
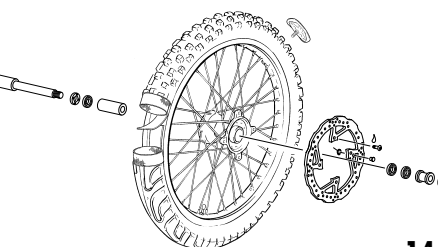
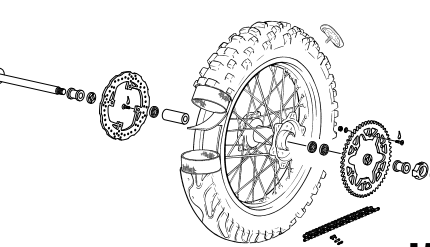
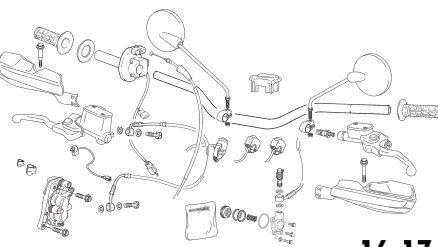
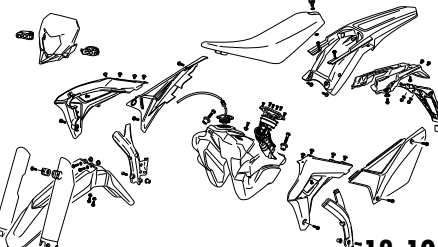
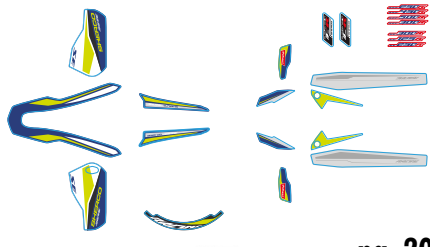
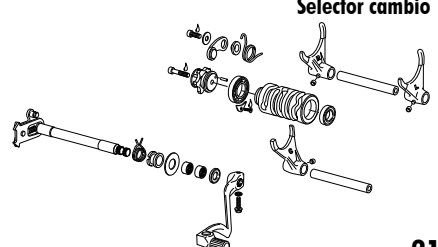


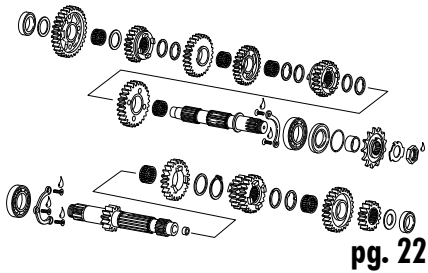
Spare part's book **20**
450 SEF-R

MINERVA OIL

KENNY
SHERCO
Motorcycles

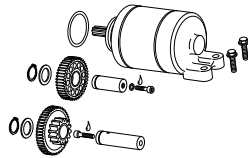
<p>1 Cadre / Frame / Chasis</p>  <p>pg. 1-2</p>	<p>2 Fourche / Fork / Horquilla WP</p>  <p>pg. 3-4</p>	<p>3 Amortisseur - Bras oscillant / Rear Shock - Swingarm / Amortiguador - Basculante</p>  <p>pg. 5-6</p>
<p>4 Frein arrière / Rear brake / Freno trasero</p>  <p>pg. 7</p>	<p>5 Boîte filtre - échappement / Air filter box - exhaust system / Caja filtro - escape</p>  <p>pg. 8</p>	<p>6 Etrier frein arrière-avant / Front rear caliper / Pinzas freno trasero - delantero</p>  <p>pg. 9</p>
<p>7 Maître cylindre frein avant - arrière / Master cylinder Front rear caliper / Bomba freno trasero - delantero</p>  <p>pg. 10</p>	<p>8 Radiateur / Radiator / Radiador</p>  <p>pg. 11</p>	<p>9 Faisceau électrique / Electrical system / Instalación eléctrica</p>  <p>pg. 12-13</p>
<p>10 Roue avant / Front wheel / Rueda delantera</p>  <p>pg. 14</p>	<p>11 Roue arrière / Rear wheel / Rueda trasera</p>  <p>pg. 15</p>	<p>12 Guidon / Handlebar / Manillar</p>  <p>pg. 16-17</p>
<p>13 Plastiques / Plastics / Plásticos</p>  <p>pg. 18-19</p>	<p>14 Adhesif / Sticker / Adhesivo</p>  <p>pg. 20</p>	<p>15 Selecteur / Gear selector group / Selector cambio</p>  <p>pg. 21</p>

16 Boite a vitesses / Gear set / Cambio



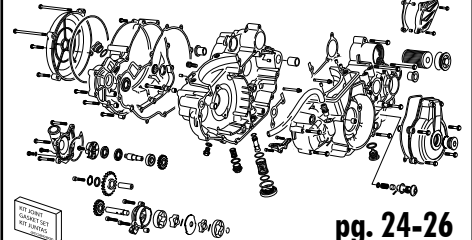
pg. 22

17 Demarreur / Starter Motor / Motor Starter



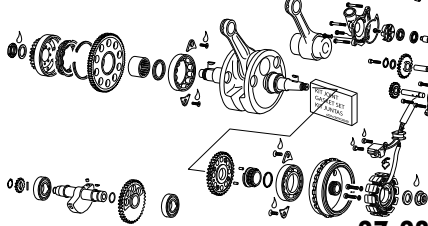
pg. 23

18 Groupe cariers / Crankcase assembly / Grupo carters



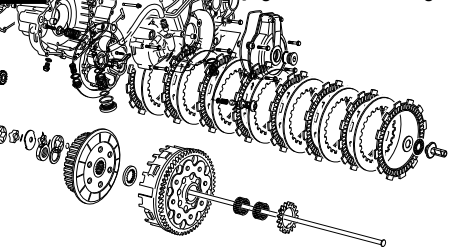
pg. 24-26

19 Villebrequin-assembly / Crankshaft assembly / Cigüeñal-Blata



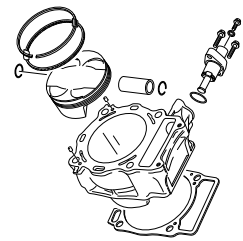
pg. 27-28

20 Embrayage / Clutch / Embrague



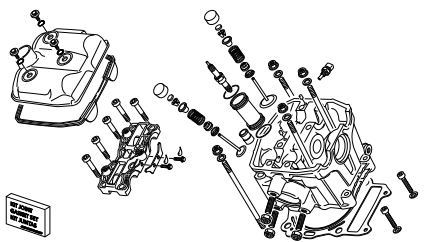
pg. 29

21 Cylindre / Cylinder / Cilindro



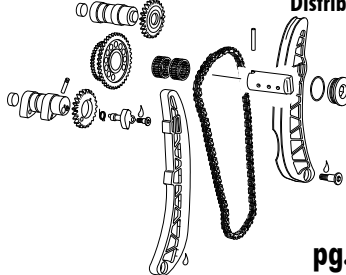
pg. 30

22 Culasse / Cylinder head / Culata



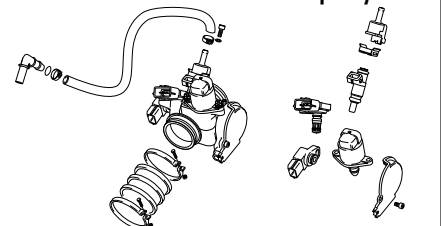
pg. 31-32

23 Distribution / Camshaft and drive assembly / Distribución



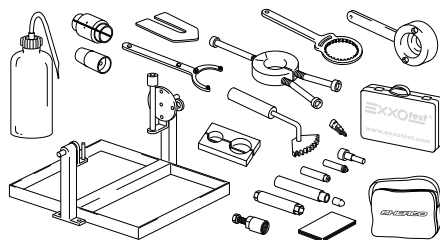
pg. 33

24 Corps injection / Injector body / Cuerpo inyección



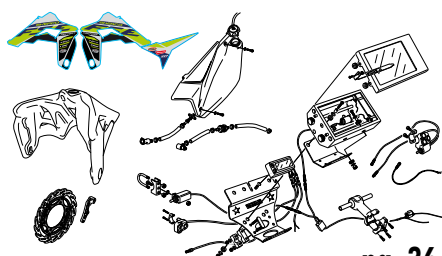
pg. 34

25 Outillage / Tools / Utillajes



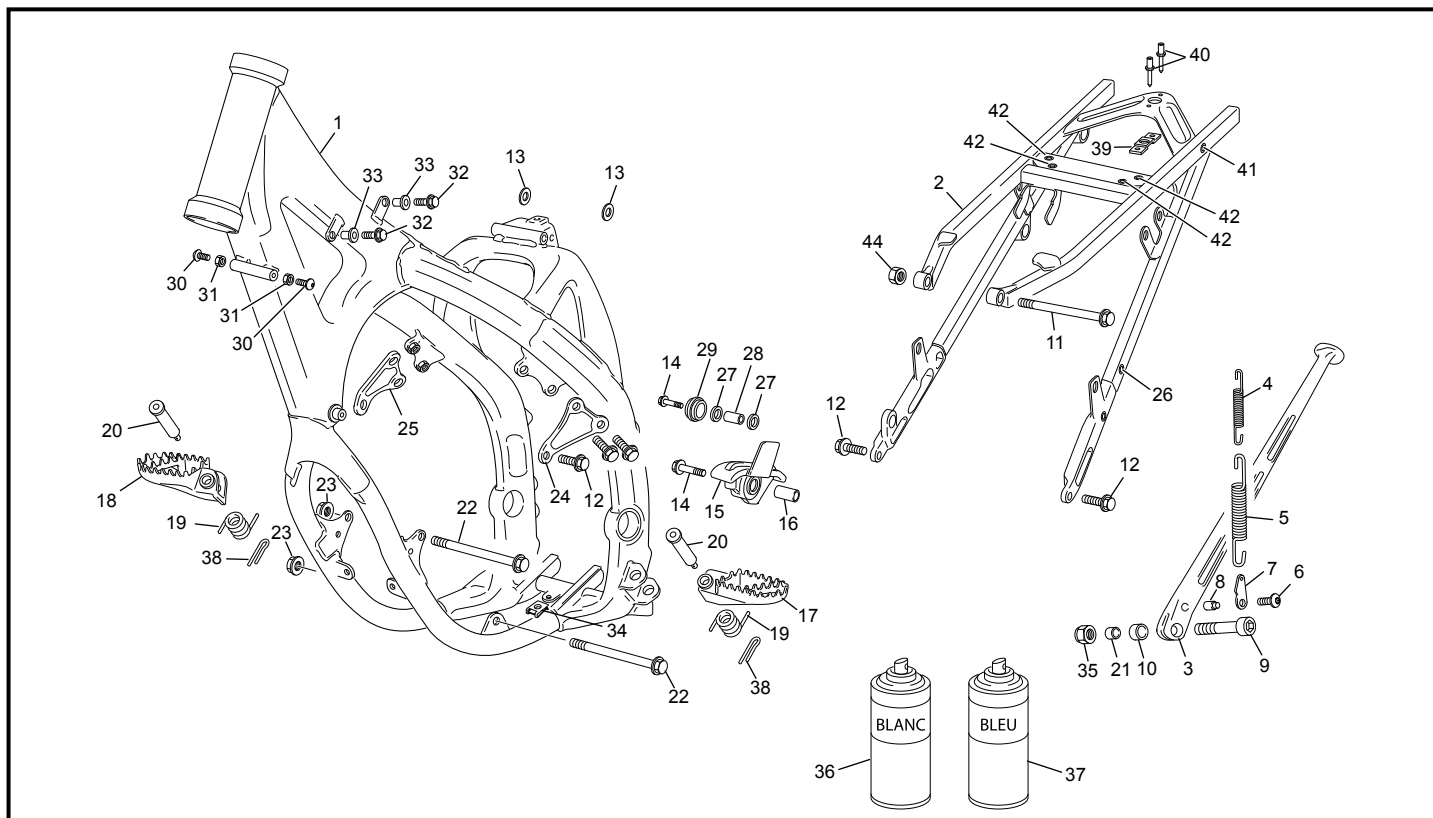
pg. 35

26 Rally Light kit



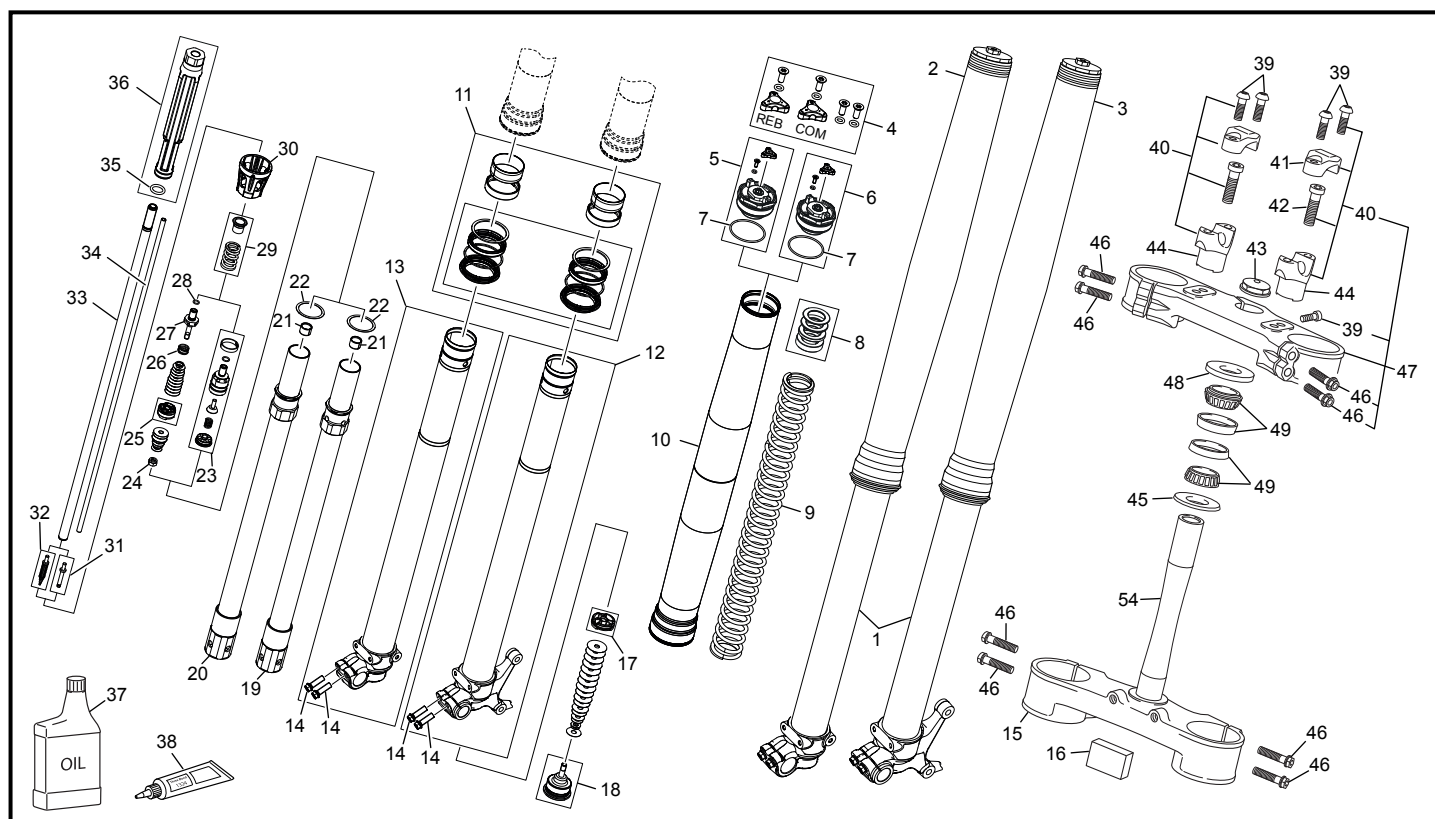
pg. 36

Cadre / Frame / Chasis



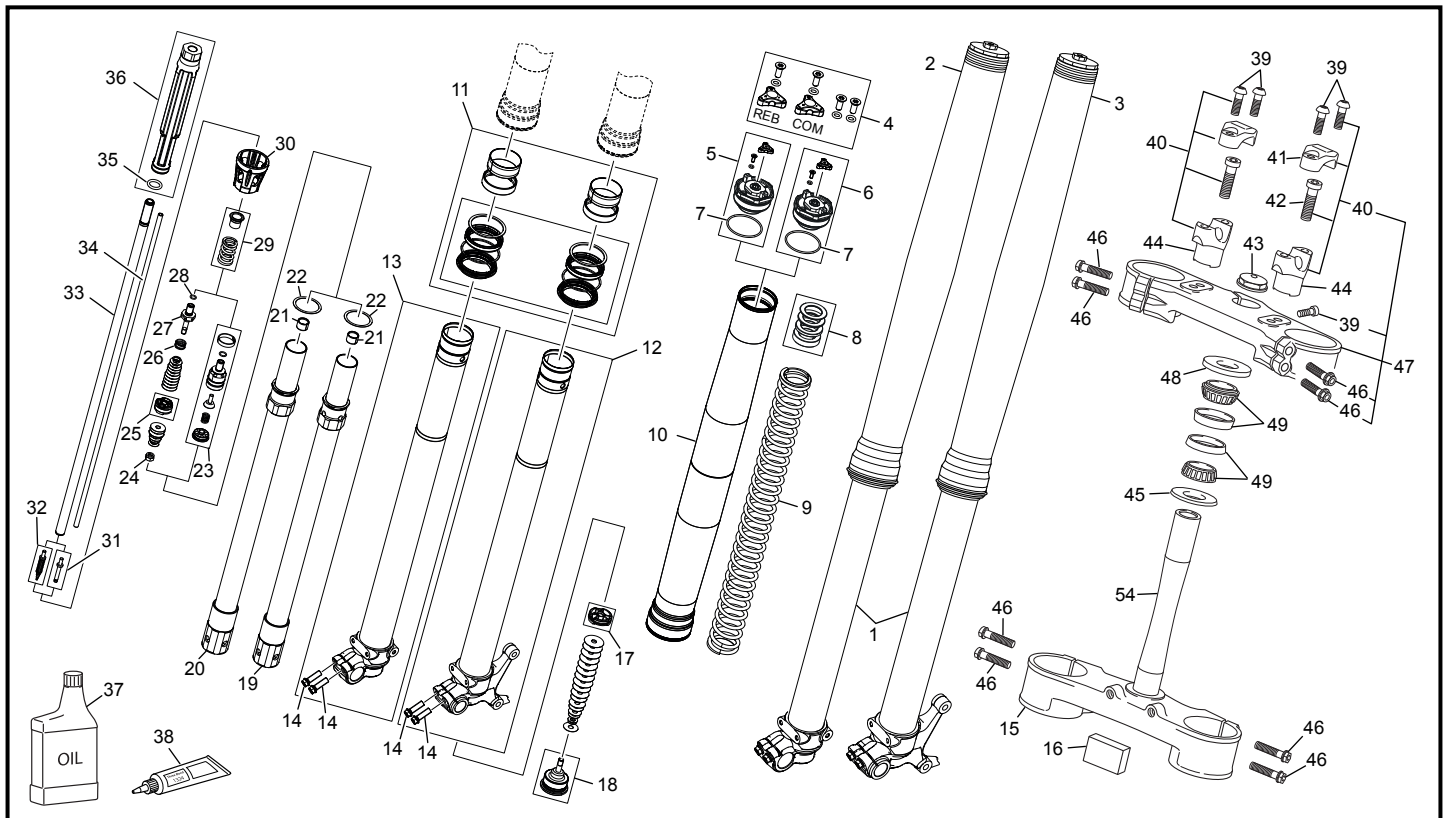
POS.	450 SEF-R RACING	FRAÇAIS	ENGLISH	ESPAÑOL
1	7584	CADRE PEINT 450 / 500 END 4T BLEU 2019	FRAME PAINT450 / 500 END 4T BLUE 2019	CHASIS 450 / 500 END 4T AZUL 2019
2	7293	BERCEAU ARRIERE 250/300/450 SEF EVO	REAR SUB FRAME 250/300/450 SEF EVO	SOPORTE SILLIN 250/300/450 SEF EVO
3	3348	BEQUILLE END 2012	SIDE STAND END 2012	CABALLETE END 2012
4	3086	RESSORT DE BEQUILLE INT END 2011	STAND SPRING INT END 2011	MUELLE CABALETE INT END 2011
5	3085	RESSORT BEQUILLE EXT END 2011	SPRING STAND EXT END 2011	MUELLE CABALETE EXT END 2011
6	M258	VIS BHC 5 X 16 1093 Zn Ni Tr	SCREW BHC 5 X 16 Zn Ni Tr	TORNILLO 5 X 16 ULS Zn Ni Tr
7	3087	PLAQUE MAINTIEN RESSORT BEQUILLE END 2012	FIXATION SIDE STAND PLATE END 2012	PLACA FIJACION CABALETTE END 2012
8	3450	ENTRETOISE CAME HOMOLOGATION BEQUILLE END	SPACER SIDE STAND END	CASQUILLO CABALLETE END
9	3478	VIS CHC M10 X 40 TETE BASSE ZI BLANC END 2012	STAND SCREW END 2010	TORNILLO CABALETE END 2012
10	3089	ENTRETOISE RESSORT BEQUILLE END	STAND SPACER	CASQUILLO CABALETE
11	4825	VIS CHC M8 X 120 DIN 912 8.8 ZI BLANC	SCREW M8 X 120 DIN 912 8.8 ZI WHITE	TORNILLO M8 X 120 DIN 912 8.8 ZI BLANCO
12	3363	VIS TH EP M8 X 20	SCREW TH EP M8 X 20	TORNILLO TH EP M8 X 20
13	7617	RONDELLE Ø10.5 X 20 X 1	WASHER Ø10.5 X 20 X 1	ARANDELA Ø10.5 X 20 X 1
14	0578	VIS TH EP M8 X 30	SCREW TH EP M8 X 30	TORNILLO TH EP M8 X 30
15	3078	PATIN DE CHAINE AVANT INFERIEUR END 2012	FRONT CHAIN GUID PLATE END 2012	PATIN CADENA DELANTERO END 2012
16	3479	DOUILLE PATIN CHAINE END 2012	SPACER CHAIN GUIDE END 2012	CASQUILLO PATIN CADENA END 450
17	0227	REPOSE PIED GAUCHE END	LEFT FOOT REST END	ESTIBERO
18	0226	REPOSE PIED DROIT END	RIGHT FOOT REST END	ESTIBERO DER END
19	0229	RESSORT REPOSE PIED END	FOOT REST SPRING END	MUELLE ESTIBERO END
20	6482	AXE REPOSE PIED END	FOOT REST AXEL END	EJE ESTIBERA END
21	0516	ENTRETOISE INT BEQUILLE 450 / 500 END	SPACER INT STAND 450 / 500 END	CASQUILLO INT CABALETE 450 / 500 END
22	0480	AXE MOTEUR 10 X 120 END 450	ENGIN AXEL 10 X 120 END 450	EJE MOTOR 10 X 120 END 450
23	0703	ECROU NYLSTOP M10 EPAULE DIN 6926	NUT NYLSTOP M10 DIN 6926	TUERCA NYLSTOP M10 CON VALONA DIN 6926
24	3076	SUPPORT CULASSE GAUCHE 450 SEF	LEFT CYLINDER HEAD SUPPORT 450 SEF	SOPORTE CULATA IZQUERDO 450 SEF
25	3075	SUPPORT CULASSE DROIT 450 SEF	RIGHT CYLINDER HEAD SUPPORT 450 SEF	SOPORTE CULATA DERECHO 450 SEF
26	4773	INSERT RIVETE M5	INSERT M5	INSERT M5
27	M027	ROULEMENT À BILLE 608.2RSH	BALL BEARING 608.2RSH	COJINETE DE RODAMIENTO 608.2RSH
28	0556	DOUILLE GALET CHAINE END 450	SPACER CHAIN WEEL END 450	CASQUILLO ROLO CADENA END 450
29	0231	GALET DE CHAINE END	ROLER CHAIN GUIDE END	ROLO CADENA END
30	M280	VIS BHC 8 X 16 Zn Ni Tr PRE IMPREGNEE FAIBLE	SCREW BHC 8 X 16 Zn Ni Tr - TL 180°	TORNILLO 8 X 16 ULS Zn Ni Tr - TL 180°
31	3481	ECROU BAS M8 ZI BLANC	NUT M8	TUERCA M8
32	0554	VIS TH EP 5 X 20	SREW TH EP 5 X 20	TORNILLO TH EP 5 X 20
33	0597	INSERT WELL NUT END 450	INSERT WELL NUT END 450	INJERTO WELL NUT END 450
34	M308	ECROU CLIP M6 0500500400	NUT CLIP M6	TUERCA CLIP M6

Fourche WP XPLOR / Fork WP XPLOR/ Horquilla WP XPLOR



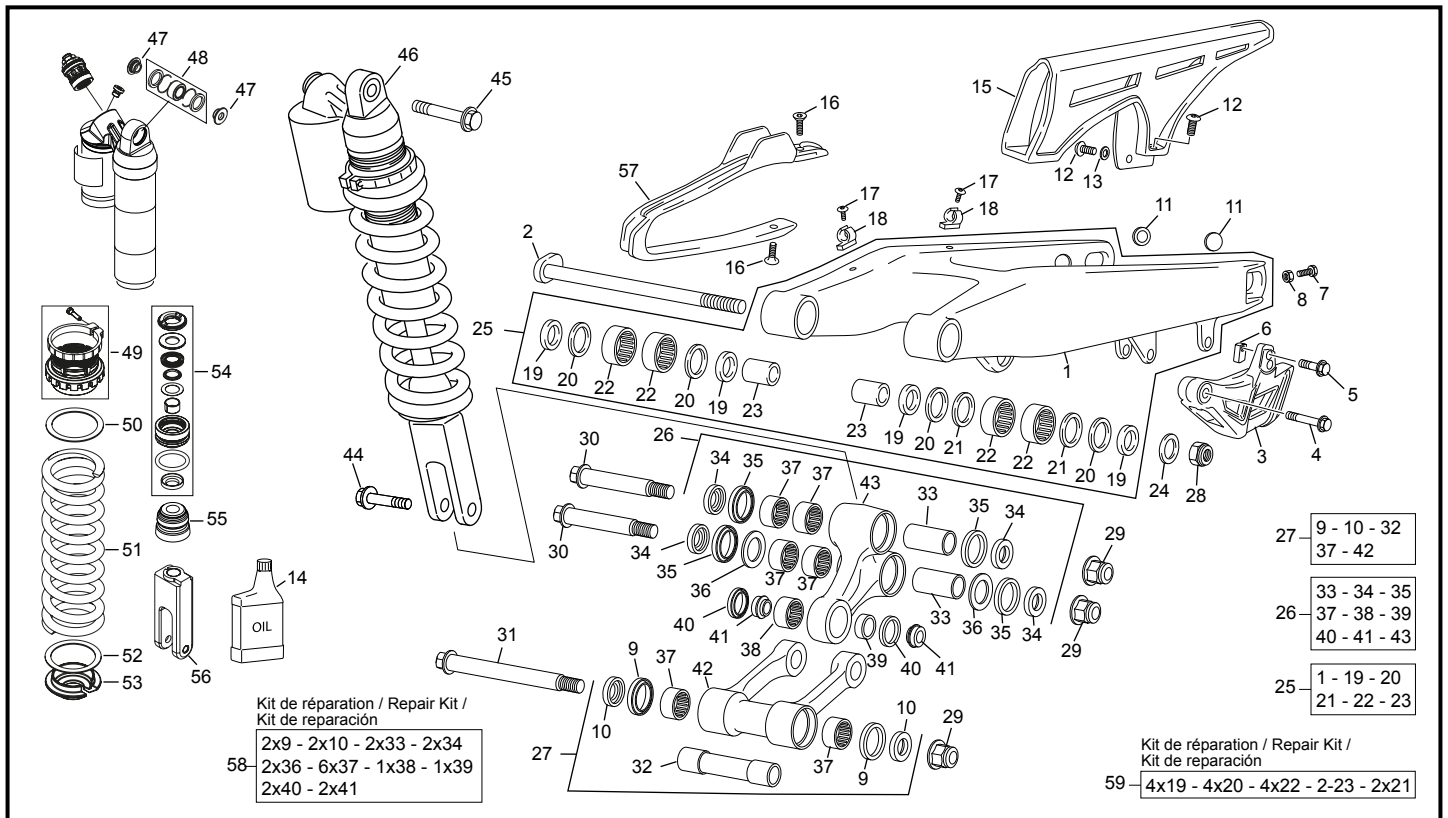
POS.	450 SEF-R RACING	FRANÇAIS	ENGLISH	ESPAÑOL
1	6719	FOURCHE WP XPLOR AVEC REGLAGE	FRONT FORK WP XPLOR WITH PA	HORQUILLA WP CON ARREGLO MUELES
2	6829	JAMBE FOURCHE DROITE CPL XPLOR	RIGHT FORK LEG WP XPLOR	GAMBA HORQUILLA DER WP XPLOR
3	6831	JAMBE FOURCHE GAUCHE CPL WP XPLOR	LEFT FORK LEG WP XPLOR	GAMBA HORQUILLA IZQUIR XPLOR
4	6835	VIS DE REGLAGE COMP DETENTE	SCREW SMALL CAP	TORNILLO COMP DETENTE
5	6833	BOUCHON FOURCHE XPLOR DROIT	RIGHT SCREW CAP XPLOR	XPLOR IZQUIERDA HORQUILLA DERECHA
6	6834	BOUCHON FOURCHE XPLOR GAUCHE	LEFT SCREW CAP XPLOR	XPLOR IZQUIERDA HORQUILLA IZQUIERDA
7	6836	O-RING 46X2 NBR	O-RING 46X2 NBR	O-RING 46X2 NBR
8	6837	RESSORT ENTRETOISE	SPRING SPACER	MUELES CASQUILLO
9	6839	RESSORT STD 4.4 75-85 KG	SPRING STD 4.4 75-85 KG	MUELES STD 4.4 75-85 KG
9	6840	RESSORT STD 4.6 -85-95 KG	SPRING STD 4.6 -85-95 KG	MUELES STD 4.6 -85-95 KG
9	6841	RESSORT 4,8 85-95 KG	SPRING 4,8 85-95 KG	MUELES 4,8 85-95 KG
10	6842	TUBE EXTERIEUR XPLOR	OUTER TUBE XPLOR	TUBO EXTERNO XPLOR
11	6871	KIT REPARATION FOURCHE WP	KIT REPAIR WP FORK	KIT REPARACION HORQUILLA WP
12	6872	TUBE DE FOURCHE GAUCHE COMPLET	LEFT AXLE CLAMP TUBE CPL.	GRUPO TUBO IZQUIERDO
13	6873	TUBE DE FOURCHE DROITE COMPLET	AXLE CLAMP RIGHT+TUBE CPL.	GRUPO TUBO DERECHO
14	6874	VIS M8X25	SCREW M8X25	TORNILLO M8X25
15	7607	T FOURCHE INF COMPLET RACING SEF	LOWER PLATE FORK SET RACING	PLATINA INF HORQUILLA RACING
16	3924	ADHESIF GUIDE DURITE	DECALC HOSE GUIDE	ADHESIVO PATIN TUBOS END
17	6875	PISTON COMPRESSION	COMPRESSION PISTON	GRUPO TUBO DERECHO
18	6876	BOUCHON COMPLET	PLUG SET	GRUPO TUBO DERECHO
19	6877	TUBE INTERNE GAUCHE	INTERNAL TUBE	GRUPO TUBO INTRNO IZQUIERDA
20	6878	TUBE INTERNE DROIT	INTERNAL TUBE RIGHT	GRUPO TUBO INTRNO DERECHA
21	6937	ENTRETOISE GUIDAGE	BUSH GUIDE	GUÍA DE SEPARADOR
22	6938	RONDELLE 27,5X33X0,3	WASHER 27,5X33X0,3	ARRANDELA 27,5X33X0,3
23	6939	GROUPE COMPRESSION	COMP GROUP	GRUPO DE COMPRESIÓN
24	6940	ECROU	SREW	GRUPO DE COMPRESIÓN
25	6941	PISTON COMPLET	PISTON SET	PISTON JUEGO
26	6942	RESSORT CONIQUE	CONICAL SPRING	MUELLES CONICO
27	6943	BOUCHON DETENTE	REBOUD PLUG	TAPÓN DE DESCANSO
28	6944	O-RING 6X1,2 NBR	O-RING 6X1,2 NBR	O-RING 6X1,2 NBR
29	6945	RESSORT DETENTE	REBOUND SPRING	REBOTE MUELLES
30	6946	SUPPORT RESSORT	REBOUND SPRING	SOPORTE MUELLES
31	6947	AIGUILLE	NEDDLE	AGUJA
32	6948	AIGUILLE	NEDDLE	AGUJA

Fourche WP XPLOR / Fork WP XPLOR/ Horquilla WP XPLOR



POS.	450 SEF-R RACING	FRANÇAIS	ENGLISH	ESPAÑOL
33	6949	TIGE ALUMINIUM	ALUMINIUM STEM	BARRA DE ALUMINIO
34	6950	TUBE	TUBE	TUBO
35	6951	O RING 11X2,5 NBR	O RING 11X2,5 NBR	O RING 11X2,5 NBR
36	6952	HYDR STOP	HYDR STOP	HYDR STOP
37	4684	HUILE SAE 4 FOURCHE WP 5L	OIL SAE 4 WP FORK 5L	OIL SAE 4 HORQUILLA WP 5L
38	3684	GRAISSE SILICONE FOURCHE WP	SILICONE GREASE WP FORK	SILICONE GRASA HORQUILLA
39	6874	VIS M8X25	SCREW M8X25	TORNILLO M8X25
40	8597	BRIDE GUIDON COMPLETE SE SEF 42.5	HANDELBAR HOLDER SET SE SEF 42.5	BRIDA INF MANILLAR JUEGO SE SEF 42.5
41	3256	BRIDE GUIDON SUPERIEURE END	BRIDE SUP HANDLE BAR END	BRIDA SUPERIOR MANILLAR END
42	3255	VIS CHC M10 X35 NEKEN	SCREW CHC M10 X35 NEKEN	TORNILLO CHC M10 X35 NEKEN
43	0460	ECROU PIVOT DIRECTION END 450	STEERING AXEL BOLT END 450	TUERCA EJE DIRECTION END 450
44	3257	BRIDE GUIDON INFERIEURE 42.5 END 2011	BRIDE INF HANDLE BAR 42.5 END 2011	BRIDA INFERIOR 42.5 MANILLARD END 2011
44	3258	BRIDE GUIDON INFERIEURE 50 MM END 2011	BRIDE INF HANDLE BAR 50MM END 2011	BRIDA INFERIOR 50MM MANILLARD END 2011
44	3259	BRIDE GUIDON INFERIEURE 57.5 MM END 2011	BRIDE INF HANDLE BAR 57.5MM END 2011	BRIDA INFERIOR 57.5MM MANILLARD END 2011
45	0410	JOINT DIRECTION INF	SEAL DIRECTION	JUNTA DIRECTION INF
46	8397	VIS TH EP M8 X 35 TORX	SCREW SPECIAL M 8 X 35 TORX	TORNILLO HEXA M8 X 35 TORX
47	7597	T FOURCHE SUP COMPLET SEF SE RACING	UPPER PLAT FORK SET RACING SEF SE 2019	PLATINA SUP HORQUILLA JUEGO FRACING 2019
48	0354	PROTECTEUR SUP COLONNE DIRECTION END 450	PROTECTOR DIRECTION BEARING END 450	PROTECTOR COJINET DIRECTION END 450
49	0353	ROULEMENT DIRECTION 320/28X/Q END	BEARING 320/28X/Q END	COJINET DIRECTION 320/28X/Q END
50	0410	JOINT DIRECTION INF END	SEAL DIRECTION END	JUNTA DIRECTION INF END
51	8397	VIS TH EP M8 X 35 TORX	SCREW SPECIAL M 8 X 35 TORX	TORNILLO HEXA M8 X 35 TORX
52	7607	T FOURCHE INF COMPLET RACING SEF SE 2019	LOWER PLATE FORK SET RACING 2019	PLATINA INF HORQUILLA RACING END 2019
53	3924	ADHESIF GUIDE DURITE END 12	DECALC HOSE GUIDE END 12	AD. PATIN TUBOS END 12
54	0348	PIVOT DIRECTION END 450	STEERING AXEL END 450	EJE DIRECTION END 450

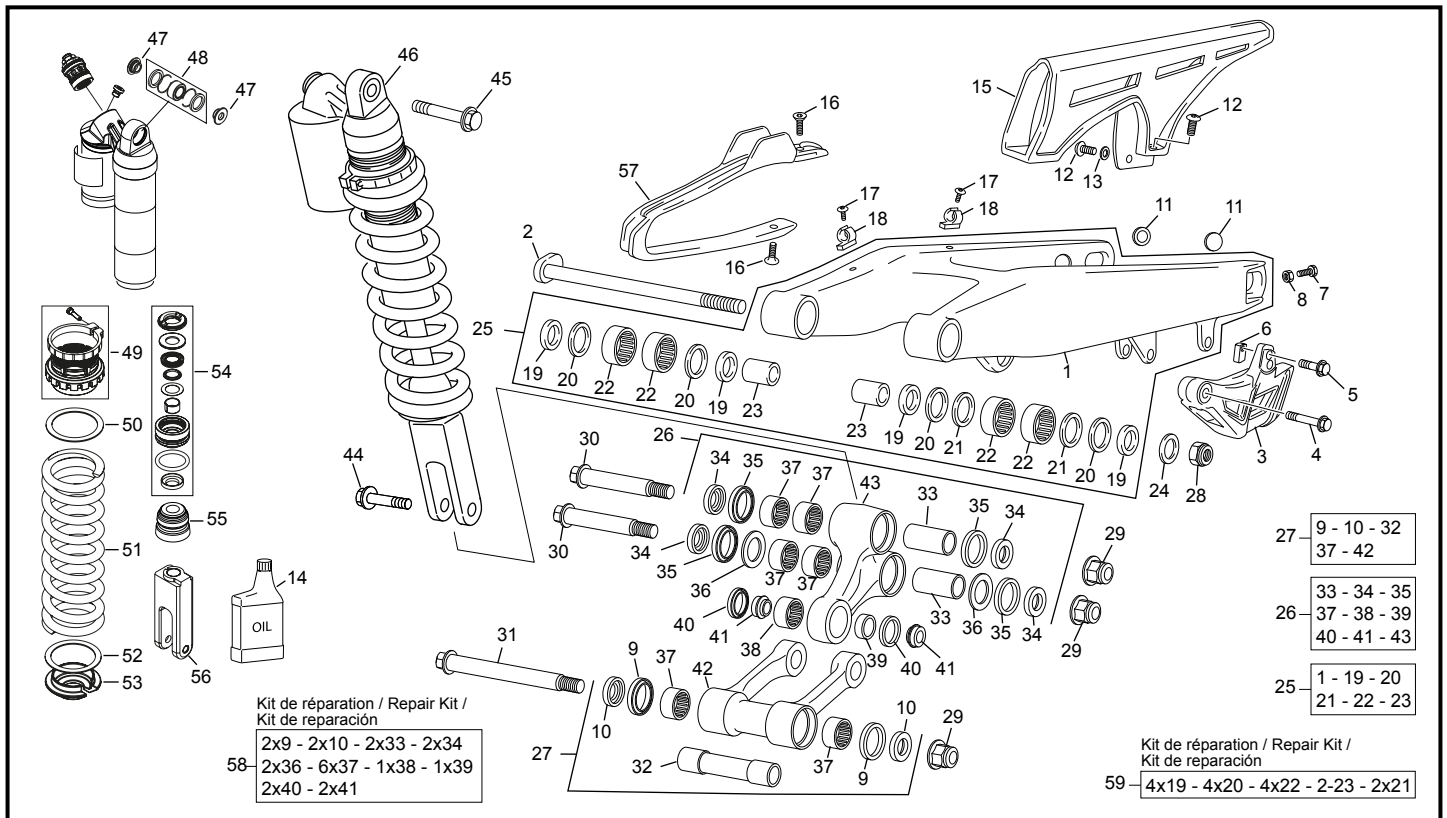
Amortisseur - Bras oscillant / Rear Shock - Swingarm / Amortiguador - Basculante



POS.	450 SEF-R RACING	FRAÇAIS	ENGLISH	ESPAÑOL
1	8144	BRAS OSCILLANT SE SEF EVO2	SWINGARM SE SEF EVO2	BASCULANTE SE SEF EVO2
2	0451	AXE BRAS END 450	AXEL SWINGARM END 450	EJE BASCULANTE END 450
3	4533	GUIDE CHAINE END RACING BLEU	CHAIN GUID END RACING BLUE	GUIDA CADENA END RACING AZUL
4	0549	VIS TH EP 6 X 45	SREW TH EP 6 X 45	TORNILLO TH EP 6 X 45
5	0546	VIS TH EP 6 X 20	SREW TH EP 6 X 20	TORNILLO TH EP 6 X 20
6	2343	ECROU SPECIAL PATIN DE CHAINE(2 PIECES)	CHAIN GUIDE SCREW (2 PARTS)	TUERCA ESPECIAL CHAIN GUIDE (2 PIEZAS)
7	0462	VIS TENDEUR DE CHAINE	TENSOR CHAIN SCREW	TORNILLO TENSOR CADENA
8	M272	ECROU EMBASE X8 0692	COLLAR HEX NUT M8	TUERCA CON VALONA M8
9	6493	JOINT LEVRE 25X32X4	OIL SEAL 25X32X4	RETEN 25X32X4
10	8137	RONDELLE ENTRETOISE BIELLETTE H	H LINK SPACER WASHER SE SEF	CASQUILLO ARRADELTA BIELETA H SE SEF
11	1103	BOUCHON DE BRAS OSCILLANT GRIS 450	COVER SWING ARM AXLE 450	TAPAFINAL REDONDO GRIS BASCULANTE 450
12	M283	VIS BHC 6 X 16 1093 ZI NI TR	SCREW BHC 6 X 16 ZI NI TR	TORNILLO 6 X 16 ULS ZI NI TR
13	C427	RONDELLE M6 X 15	WASHER M6 X 15	ARANDELA M6 X 15
14	3694	HUILE AMORTISSEUR WP 5L	OIL SAE 5 WP AMORTIGUADOR 5L	OIL AMORTIGUADOR WP 5L
15	0298	CARTER DE CHAINE END 450	CHAIN PROTECTOR END 450	CADENA PRODECTOR END 450
16	C432	VIS FHC M6 X 16	SCREW FHC M6 X 16	TORNILLO FHC M6 X 16
17	M278	VIS BHC 5 X10 1093 ZN NI TR TUFLOK180	SCREW BHC 5X10 ZN NI TR TUFLOK 180	TORNILLO 5 X 10 ULS ZN NI TR TUFLOK 180
18	0307	GUIDE DURITE FREIN AR END 450	HOSE BRACK HOLDER END 450	SUPPORTO TUBO FRENO END 450
19	0440	ENTRETOISE ETANCHEITE BRAS 22X28X5	SPACER SWING ARM 22X28X5	CASQUILLO BASCULANTE 22X28X5
20	0292	JOINT LEVRE 28X35X4	OIL SEAL 28X35X4	RETEN 28X35X4
21	0398	RONDELLE CALAGE BRAS OSCILLANT 22 X 0.8	WASHER SWING ARM 22 X 0.8	ARANDELA REGLAJE 22 X 0.8
22	0290	DOUILLE AIGUILLE HK 2216	NEEDLE BEARING HK 2216	CASQUILLO AGUJAS HK 2216
23	0291	ENTRETOISES INTERNE 17X22X38	SPACER INTERNE 17X22X38	CASQUILLO INTERNE 17X22X38
24	C426	RONDELLE M16	WASHER M16	ARANDELA M16
25	6686	BRAS OSCILLANT END COMPLET	SWINGARM END ASSEMBLY	BASCULANTE END COMPLETO
26	8444	BIELLETTTE DELTA END 250/510 COMPLETE EVO	LINK DELTA END 250/510 END ASSEMBLY EVO	TRAPECIO END 250/510 END COMPLETO EVO
27	8443	BIELLETTTE H END COMPLETE D14 EVO	FORK LINK END ASSEMBLY D14 EVO	BIELETA H END COMPLETA D14 EVO
28	7506	ECROU BRAS OSCILLANT SE SEF EVO	REAR BOLT SWINGARM AR SE SEF EVO	TUERCA BASCULENTE SE SEF EVO
29	0444	ECROU NYLSTOP EPAULE M12	SCREW NYLSTOP EPAULE M12	TUERCA AUTOBLOCANTE CON VALONA M12 BOSSARD
30	6489	AXE BIELLETTE DELTA M14 SE SEF	AXEL DELTA LINK M14 SE SEF	EJE BIELETA DELTA M14 SE SEF
31	6492	AXE BIELLETTE H 14 MM SE SEF	AXEL FORK LINK 14 MM SE SEF	EJE BIELETA H 14 MM SE SEF
32	8148	ENTRETOISE BIELLETTE H SE SEF 14MM	SE SEF 14MM SPACER	SEPARADOR 14MM SE SEF
33	6486	ENTRETOISE CAGE AIGUILLES BIELLETTE DELTA SE SEF	DELTA LINK SPACER SE SEF	CASQUILLO BIELETA DELTA SE SEF
34	6485	RONDELLE ENTRETOISE BIELLETTE DELTA SE SEF	DELTA LINK SPACER WASHER SE SEF	CASQUILLO ARRADELTA BIELETA DELTA SE SEF

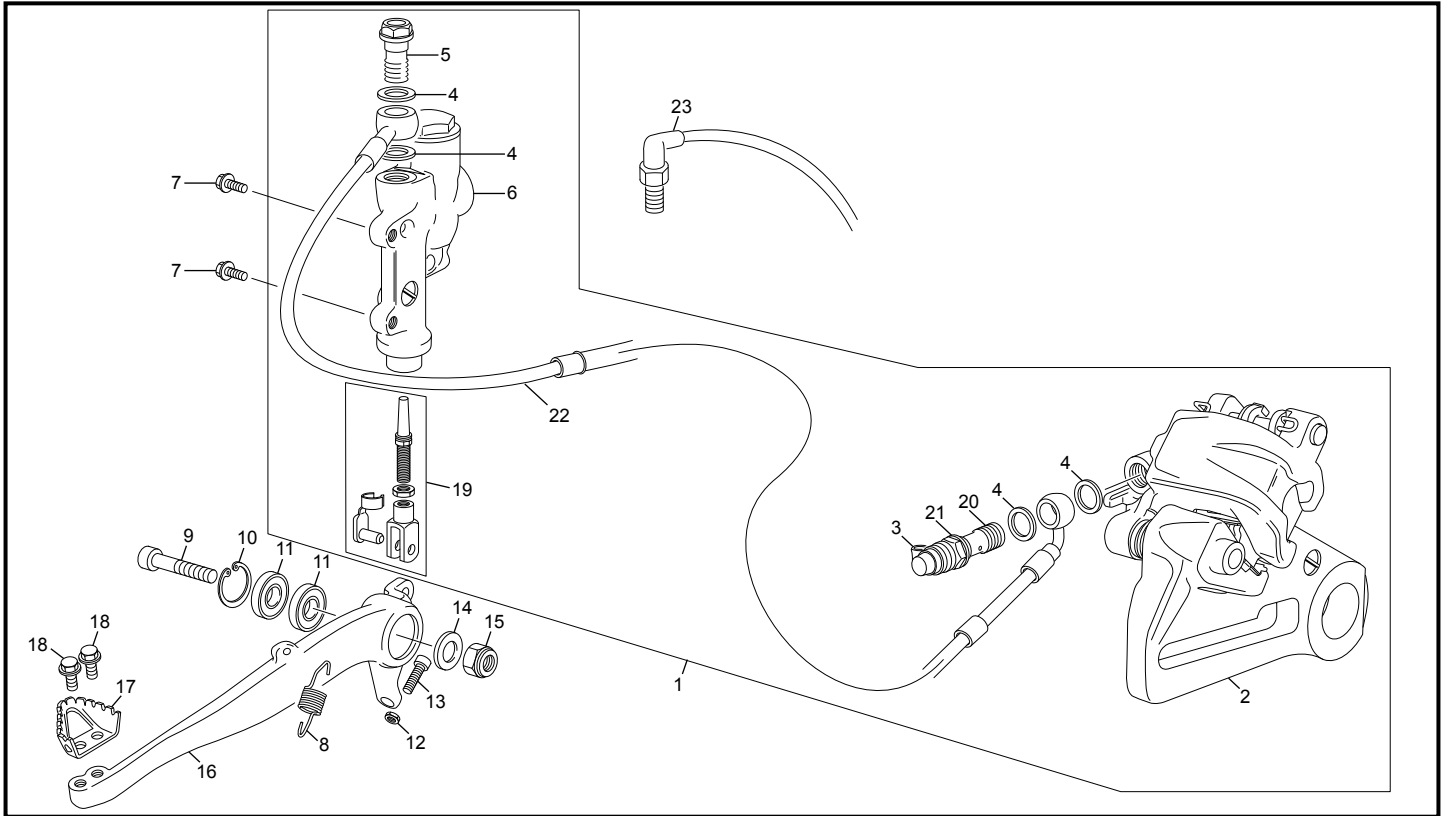
*Sherco se réserve les droits de modification des références, merci de contrôler sur le portail Sherconetwork avant toute commande. - *Sherco reserves the right to make change on the references, please check on your Sherconetwork portal before ordering.
 *Sherco se reserva el derecho para hacer modificaciones sobre las referencias. Por favor, verifica en el Sherconetwork antes de hacer un pedido.

Amortisseur - Bras oscillant / Rear Shock - Swingarm / Amortiguador - Basculante



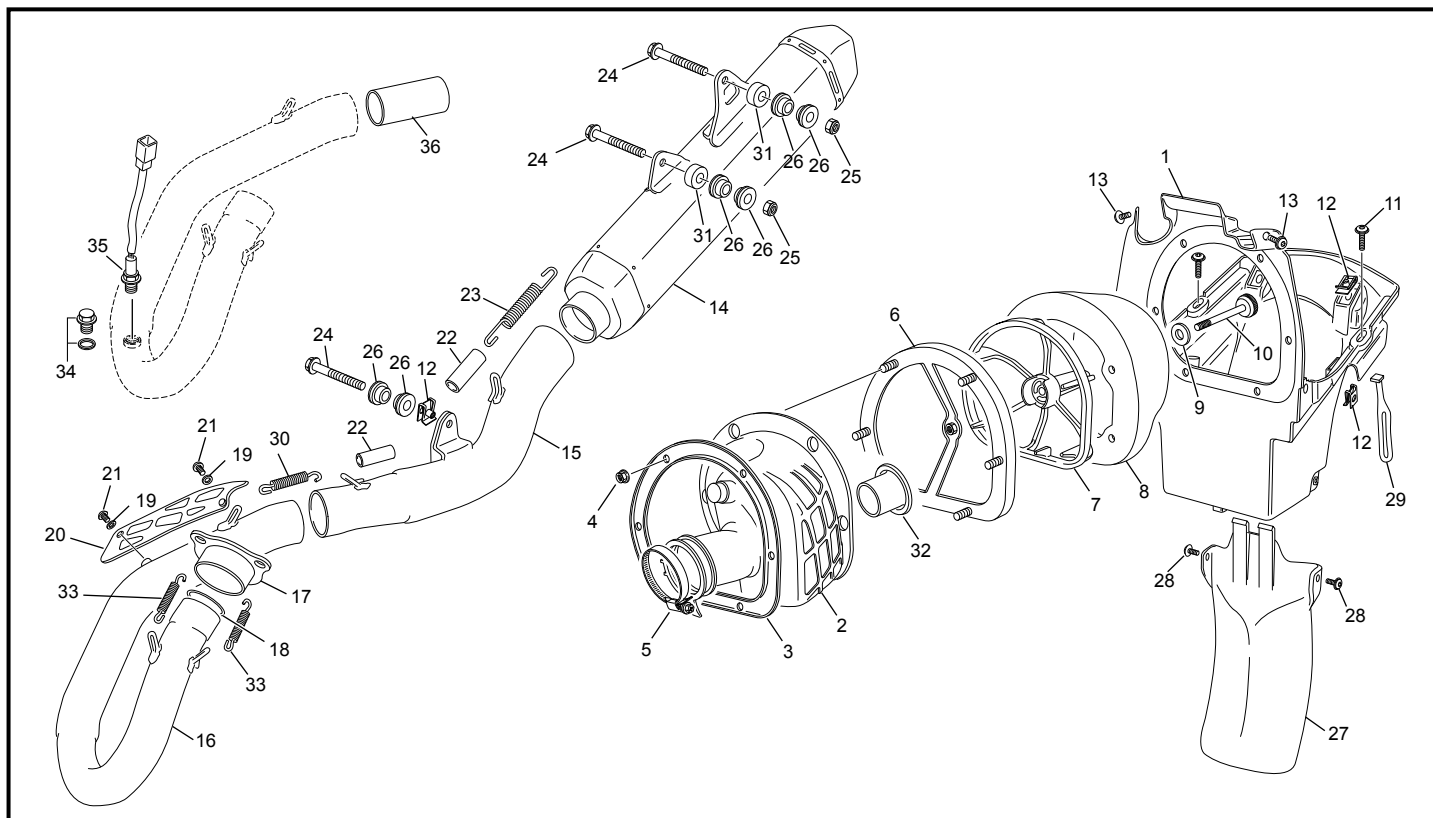
POS.	450 SEF-R RACING	FRANÇAIS	ENGLISH	ESPAÑOL
35	6493	JOINT LEVRE 25X32X4	OIL SEAL 25X32X4	RETEN 25X32X4
36	6484	RONDELLE CALAGE 20X31.5X1	WASHER 20X31.5X1	ARANDELA 20X31.5X1
37	6495	DOUILLE AIGUILLE JOINTIVE DL 20X26X16	NEEDLE BEARING DL 20X26X16	CASQUILLO AGUJAS DL 20X26X16
38	8139	DOUILLE AIGUILLE JOINTIVE 20X26X12 19X1	NEEDLE BEARING 20X26X12 19X1	CASQUILLO AGUJAS 20X26X12 19X1
39	8142	ENTRETOISE AMORTISSEUR SE SEF EVO2	SHOCK ABSORBER SPACER SE SEF EVO2	CASQUILLO AMORTIGUADOR SE SEF EVO2
40	8143	JOINT SPI	OIL SEAL	RETEN
41	8141	RONDELLE ENTRETOISE INF AMORTISSEUR SE SEF	LOW SHOCK ABSORBER SPACER WASHER SE SEF	CASQUILLO ARANDELA AMORTIGUADOR SE SEF
42	8138	BIELLETTA H SE SEF EVO2	FORK LINK SE SEF EVO2	BIELETA H SE SEF EVO2
43	8140	BIELLETTA DELTA SE SEF EVO2	LINK DELTA SE SEF EVO2	TRAPECIO END SE SEF EVO2
44	0438	AXE AMMORTISSEUR INF M10X37	AXEL SHOK ABSORBEUR INF M10X37	EJE AMORTIGUADOR INF M10X37
45	0478	AXE AMORTISSEUR SUP M10 X51 END 450	AXEL REAR SHOCK SUP M10 X 51 END 450	EJE SUP AMORTIGUADOR M10 X 51 END 450
46	6376	AMORTISSEUR 450 / 500 SEF END EVO	SHOCK ABSORBER 450 / 500 SEF END EVO	AMORTIGUADOR 450 / 500 SEF END EVO
47	6606	ENTRETOISE ROTULE	KNEECAP REAR SHOCK SPACER	DISTANCIAL ROTULA
48	6605	ROTULE AMORTISSEUR	KNEECAP REAR SHOCK ABSORBER	ROLTULA AMORTIGUADOR
49	6608	BAGUE PASTIQUE	PLASTIC RING	ARANDELLA DE PLASTICO
50	3688	RONDELLE RESSORT WP END	WASHER WP	ARANDELA AMORTIGUADOR WP
51	3692	RESSORT AMORTISSEUR WP END 54 N/MM 85/95KG	SPRING 54 N/MM 85/95KG	MUELES AMORTIGUADOR 54 N/MM 85/95KG
51	6608	BAGUE PASTIQUE	PLASTIC RING	ARANDELLA DE PLASTICO
51	7020	RESSORT 5.7 85-95KG	SPRING 5.7 85-95KG	MUELES 5.7 85-95KG
52	6609	RONDELLE RESSORT INFERIEURE	INF WASHER SPRING	ARANDELLA DEL MUELLE SUPERIOR
53	3689	COUPELLE RESSORT AMORTISSEUR WP END	SPRING RETAINER WP	SOMBRERERE AMORTIGUADOR WP
54	6610	KIT REPARATION	REPAIR KIT	KIT DE REPARACION
55	6611	TAMPON FIN DE COURSE	REAR SHOCK RUBBER STAMP	GOMA FIN DE CORSA
56	6607	PIED D'AMORTISSEUR	REAR SHOCK MONTING FORK	BRIDA HORQUILLA AMORTIGUADOR
57	0297	PATIN DE CHAINE END 450	CHAIN GUID PLATE END 450	PATIN CADENA END 450
58	8451	KIT REFECTION BIELLETTA DELTA ET H 14MM 2020	REBUILT KIT LINKAGE BEARING 14MM 2020	KIT DE RECONSTRUCCIÓN BIELLETTA DELTA Y H 14MM -20
59	8450	KIT REFECTION BRAS OSCILLANT SE SEF	REBUILT KIT SWIGN ARM SE SEF	KIT DE RECONSTRUCCIÓN BASCULANTE SE SEF

Frein arrière / Rear brake / Freno trasero



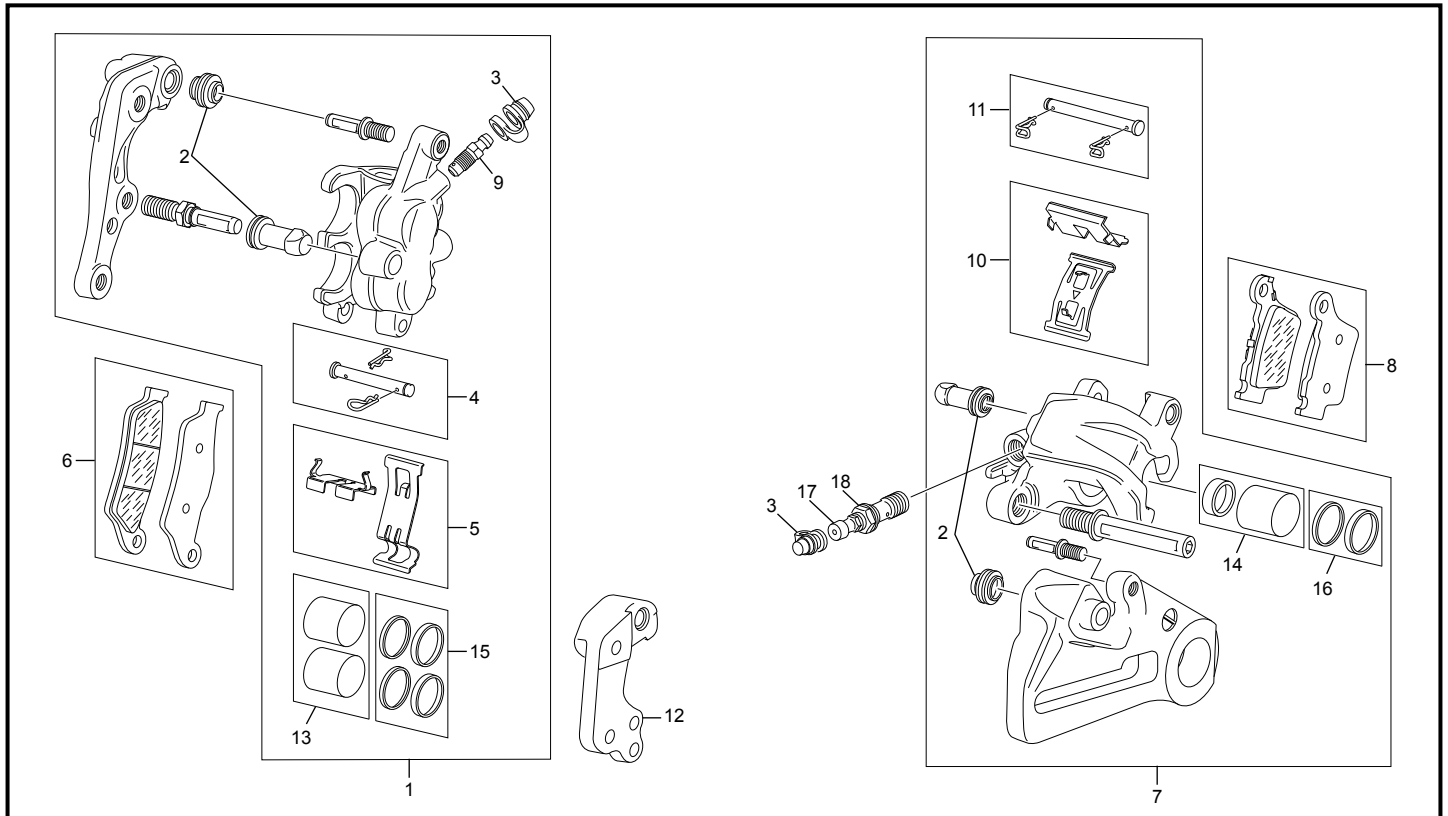
POS.	450 SEF-R RACING	FRANÇAIS	ENGLISH	ESPAÑOL
1	8310	GROUPE FREIN AR. CPL SE SEF EU 4	REAR BRAKE SYSTEM ASSY SE SEF EU 4	CTO FRENO TRAS SE SEF EU 4
2	3559	ETRIER FREIN AR BREMBO END	REAR CALIPER BREMBO END	PINZA FRENO TRASERA BREMBO END
3	3618	PROTECTION VIS DE PURGE END 12	DUST COVER END 12	PROTECCIÓN TORNILLO DE PURGA END 12
4	3620	RONDELLE BANJO END BREMBO	COPPER WASHER END BREMBO	ARANDELLA BANJO END BREMBO
5	3619	VIS RACCORD BANJO END 2.5/3.0 12	BANJO BOLT END 12	TORNILLO RACORD END 12
6	3560	POMPE FREIN AR END 2.5/5.1 12	REAR MASTER CYLINDER 2.5/5.1 12	BOMBA FRENO TRASERO 2.5/5.1 12
7	0943	VIS TH EP 6 X 12	SCREW TH EP M6 X 12	TORNILLO TH EP M6 X 12
8	0336	RESSORT PEDALE FREIN END	REAR BRAKE LEVER SPRING END	MUELLE PALANCA FRENO END
9	2926	VIS SPECIALE CHC M10 X 48	SCREW CHC M10 X 48	TORNILLO CHC M10 X 48
10	2925	CIRCLIP ALESAGE 26 X 1.2	CIRCLIP CYLINDER 26 X 1.2	CIRCLIP 26 X 1.2
11	2924	ROULEMENT 6000 2RS 26X10X8	BEARING 6000 2RS 26X10X8	RODAMIENTO 6000 2RS 26 X 10 X 8
12	3556	ECROU M6 BAS ZI	SCREW M6	TUERCA M6
13	M253	VIS CHC 6 X 30 0084 PRE IMPREGNEE	SCREW CHC 6 X 30 PRE IMPREGNEE MOYEN	TORNILLO 6 X 30 DIN 912 PRE IMPREGNEE MOYEN
14	C424	MOYEN	WASHER M10	ARANDELA M10
15	0703	RONDELLE M10	NUT NYLSTOP M10 DIN 6926	TUERCA NYLSTOP M10 CON VALONA DIN 6926
16	5918	ECROU NYLSTOP M10 EPAULE DIN 6926	REAR BRAKE LEVER 450 SEF	PALANCA FRENO TRAS 450 SEF
17	2153	PEDALE DE FREIN AR 450 SEF	POINT BREAK PEDAL END EVO	PUNTERA PEDAL FRENO END EVO
18	0655	EMBOU PEDAL FREIN END EVO	SREW TH EP 5 X 10	TORNILLO TH EP 5 X 10
19	3520	VIS TH EP 5 X 10	BRAKE PEDAL ROD END 12	VARILLA PEDAL DE FRENO END 12
20	3640	TIGE DE PEDALE DE FREIN END 12	BANJO BOLT	TORNILLO BANJO BREMBO
21	3639	RACCORD BANJO END 12	BLEEDER SCREW BREMBO	TORNILLO DE PURGA BREMBO
22	3562	PURGEUR BREMBO END 12	REAR BRAKE HOSE END 2.5/5.1 12	LATIGUILLO FRENO TRASERO END 2.5/5.1 12
23	0625	INTERUPTEUR FREIN	BRAKE ELECTRIC CONTACT	INTERUPTOR FRENO

Boîte filtre - échappement / Air filter box - exhaust system / Caja filtro - escape



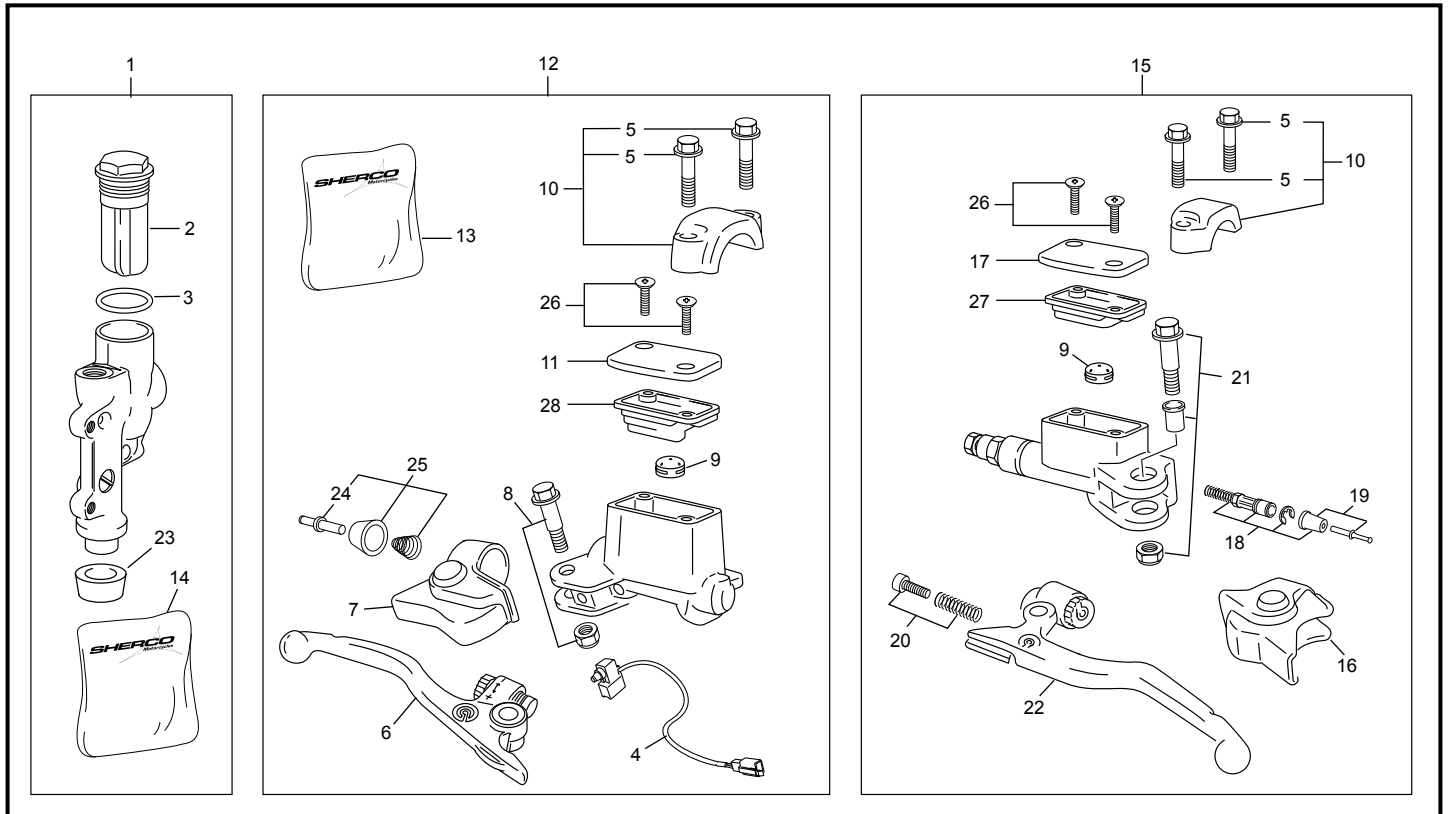
POS.	450 SEF-R RACING	FRAÇAIS	ENGLISH	ESPAÑOL
1	3055	BOITIER FILTRE AIR END	AIR BOX END	CAJA FILTRO END
2	3050	MANCHON CAOUTCHOUC FILTRE/ CARBU 450 / 500 SEF	RUBER INJECTION HOSE 450 / 500 SEF	GOMA INJECTION/CAJA FILTRO 450 / 500 SEF
3	3045	PLAQUE MAINTIEN SUPPORT FILTRE	FILTER FIXATION RETAINER PLATE END 2011	PLACA FIJACION SOPORTE ESPUMA END 2011
4	3552	ECROU EMBASE M5	COLLAR HEX NUT BASIS NOTCHED M5	TUERCA CON VALONA EMBASE ENTALLADURA M5
5	0595	COLLIER KC060 MANCHON CORP INJECTION END 450 40-60	COLLAR KC060 HOSE BODY INJECTION END 450 40-60	BRIDA TOBERA KC060 CUERPO INYECCION END 450 40-60
6	3046	BRIDE SUPPORT DE FILTRE AIR END 2012	BRIDE FILTER FIXATION RETAINER PLATE END 2012	BRIDA PLACA FIJACION SOPORTE ESPUMA END 2012
7	3044	SUPPORT MOUSSE FILTRE END 2012	FILTER FOAM SUPPORT END 2012	SUPORTE ESPUMA FILTRO END 2012
8	3043	MOUSSE FILTRE END 250/300 2012	FILTER FOAM END 250/300 2012	ESPUMA FILTRO END 250/300 2012
9	C429	RONDELLE M6 X 25	WASHER M6 X 25	ARANDELA M6 X 25
10	3048	VIS DE FILTRE AIR END EVO	AIR FILTER SCREW END EVO	TORNILLO ESPUMA FILTRE END EVO
11	3679	VIS BHC 6 X 20 EMBASE zingue noir	SCREW BHC 6 X 20 BLACK	TORNILLO 6 X20 BHC NEGRO
12	M308	ECROU CLIP M6 0500500400	NUT CLIP M6	TUERCA CLIP M6
13	0546	VIS TH EP 6 X 20	SREW TH EP 6 X 20	TORNILLO TH EP 6 X 20
14	6515	SILENCIEUX AVEC INTERMEDIAIRE 450 SEF EVO	SILENCER WITH TUBE 450 SEF EVO	SILENCOSO CON TUBO 450 SEF EVO
15	5820	TUBE INTERMEDIAIRE ECHAPPEMENT 450 SEF	EXHAUST PIPE INTERMEDIATE 450 SEF	TUBO ESCAPE INTERMEDIARIO 450 SEF
16	6788	TUBE ECH END 450 SEF EURO 4	EXHAUST PIPE END 450 SEF EURO 4	TUBO ESCAPE END 450 SEF EURO 4
17	5784	PIPE ECHAPPEMENT 450 SEF	EXHAUST PIPE 450 SEF	TUBERA ESCAPE 450 SEF
18	3973	JOINT ECHAPPEMENT END 455	EXHAUST GASKET END 455	JUNTA ESCAPE END 455
19	4751	RONDELLE SCHNORR M5 ZI	RONDELLE SCHNORR M5 ZI	RONDELLE SCHNORR M5 ZI
20	4402	TOLE PROTECTION THERMIQUE TRIAL 07 4T	STEEL PROTECTION THERMIC TRIAL 07 4T	CHAPA PROTECCION CALORICA TRIAL 07 4T
21	M278	VIS BHC 5 X10 1093 Zn Ni Tr TUFLOK180	SCREW BHC 5X10 ZN NI TR TUFLOK 180	TORNILLO 5 X 10 ULS Zn Ni Tr TUFLOK 180
22	1378	CAOUTCHOUC PROTECTEUR RESSORT POT 450 510 END	PROTECTOR RUBBER SPRING EXHAUST 450 510 END	GOMA PROTECCION 450 510 END
23	4347	RESSORT POT SILENCIEUX END	SPRING EXHAUST SILENCER END	MUELLE ESCAPE SILENCIOSO END 450
24	0591	VIS TH EP 6 X 40	SCREW TH EP 6 X 40	TORNILLO TH EP 6 X 40
25	M306	ECROU NYLSTOP M6 0368.6	NUT NYLSTOP M6	TUERCA NYLSTOP M6
26	0274	SILENT BLOC SILENCIEUX	SILENBLOC SILENCEUR	SILENBLOC SILENCIOSO
27	3056	BAVETTE DE FILTRE END	BAVETTE FILTRE END	BAVETTE FILTRO END
28	1687	VIS BHC EPAULE M5 X 10	SCREW BHC M5 X 10	TORNILLO ULS CON VALONA M5 X 10
29	0306	CAOUTCHOUC DE MAINTIEN DE BEQUILLE END 450	STAND SIDE RUBER END 450	GOMA CABALETTE END 450
30	0271	RESSORT POT END	SPRING EXHAUST END	MUELLE ESCAPE END
31	5264	ENTRETOISE SILENCIEUX	BUSH SILENCER	CASQUILLO SILENCIOSO
32	4815	CORNET ADMISSION 450 SEF	INTAKE HOSE 450 SEF	MANGITO ADMICION 450 SEF
33	4347	RESSORT POT SILENCIEUX END	SPRING EXHAUST SILENCER END	MUELLE ESCAPE SILENCIOSO END 450
34	6790	BOUCHON SONDE LAMBDA	LAMBDA PLUG	JUNTA LAMBDA TAPON
35	6782	SONDE LAMBDA	OXYGENE SENROR 4 WIRES	OXYGENE SENROR 4 WIRES
36	6851	CATALYSEUR 450/500 4T 42X120 EURO 4	CATALYST 450/500 40 (42) MM X 50.8 +50.8 (120) MM -400/50-	CATALIZADOR 450/500 SEF EURO 4

Etrier frein arrière-avant / Front rear caliper / Pinzas freno trasero - delantero



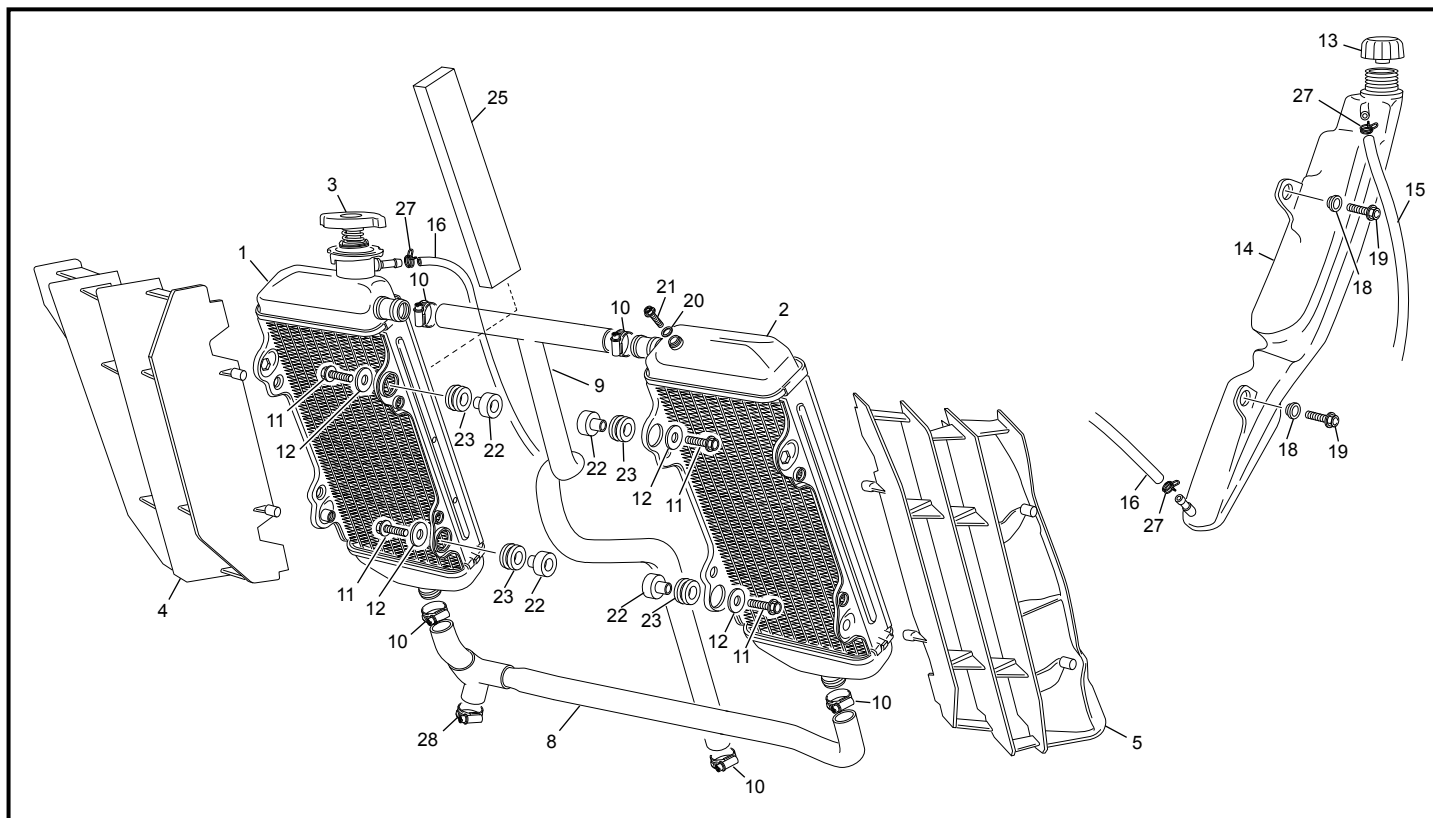
POS.	450 SEF-R RACING	FRANÇAIS	ENGLISH	ESPAÑOL
1	3561	ETRIER FREIN AVANT BREMBO END	BREMBO FRONT CALIPER ASSY END	PINZA FRENO DEL BREMBO END
2	3706	CACHE POUSSIÈRE	AXEL DUST COVER/ BOOTS	PROTECCION
3	3618	PROTECTION VIS DE PURGE END 12	DUST COVER END 12	PROTECCIÓN TORNILLO DE PURGA END 12
4	3708	AXE DE FREIN AVANT BREMBO	PIN + RETAINER BREMBO	PERNO BREMBO
5	3709	PLAQUE ANTIVIBRATION DE FREIN AVANT BREMBO	SPRING + STEEL CLIP BREMBO	JUEGO DE PLACA BREMBO
6	3710	PLAQUETTES DE FREIN AVANT BREMBO	BRAKE PADS FRONT BREMBO	JUEGO DE PASTILLAS FRENO DEL BREMBO
7	3559	ETRIER FREIN AR BREMBO END	REAR CALIPER BREMBO END	PINZA FRENO TRASERA BREMBO END
8	3711	PLAQUETTES DE FREIN ARRIERE BREMBO	BRAKE PADS REAR BREMBO	JUEGO DE PASTILLAS FRENO TRASSERO BREMBO
9	3707	VIS PURGE ETRIER DE FREIN	BLEEDER SCREW BREMBO	TURCA SANGRADOR BREMBO
10	3712	PLAQUE ANTI VIBRATION DE FREIN ARRIERE BREMBO	RETAINING SPRING SET BREMBO	PLACA FIXACION FRENO TRASSERO BREMBO
11	3713	AXE DE PLAQUETTES DE FREIN ARRIERE BREMBO	PIN + RETAINER REAR CALIPER BREMBO	PERNO FIXACION FRENO TRASSERO BREMBO
12	3660	SUPPORT ETRIER FREIN BREMBO SACHS.	BREMBO SACHS BRAKE CALIPPER SUPPORT	SOPORTE PINZA FRENO BREMBO SACHS
13	4056	PISTON ETRIER AV BREMBO END 12	PISTON FRONT CALIPER BREMBO END 12	PISTON PINZA DEL BREMBO END 12
14	4057	PISTON ETRIER AR BREMBO END	PISTON REAR CALIPER BREMBO END	PISTON PINZA TRAS BREMBO END
15	4405	JOINT PISTON AV BREMBO	DEAL BREMBO FRONT	RETEN
16	4406	JOINT PISTON AR BREMBO	DEAL BREMBO REAR	RETEN
17	3639	PURGEUR BREMBO END 12	BLEEDER SCREW BREMBO	TORNILLO DE PURGA BREMBO
18	3640	RACCORD BANJO END 12	BANJO BOLT	TORNILLO BANJO BREMBO

Maitre cylindre frein avant - arrière / Master cylinder Front rear caliper / Bomba freno trasero - delantero



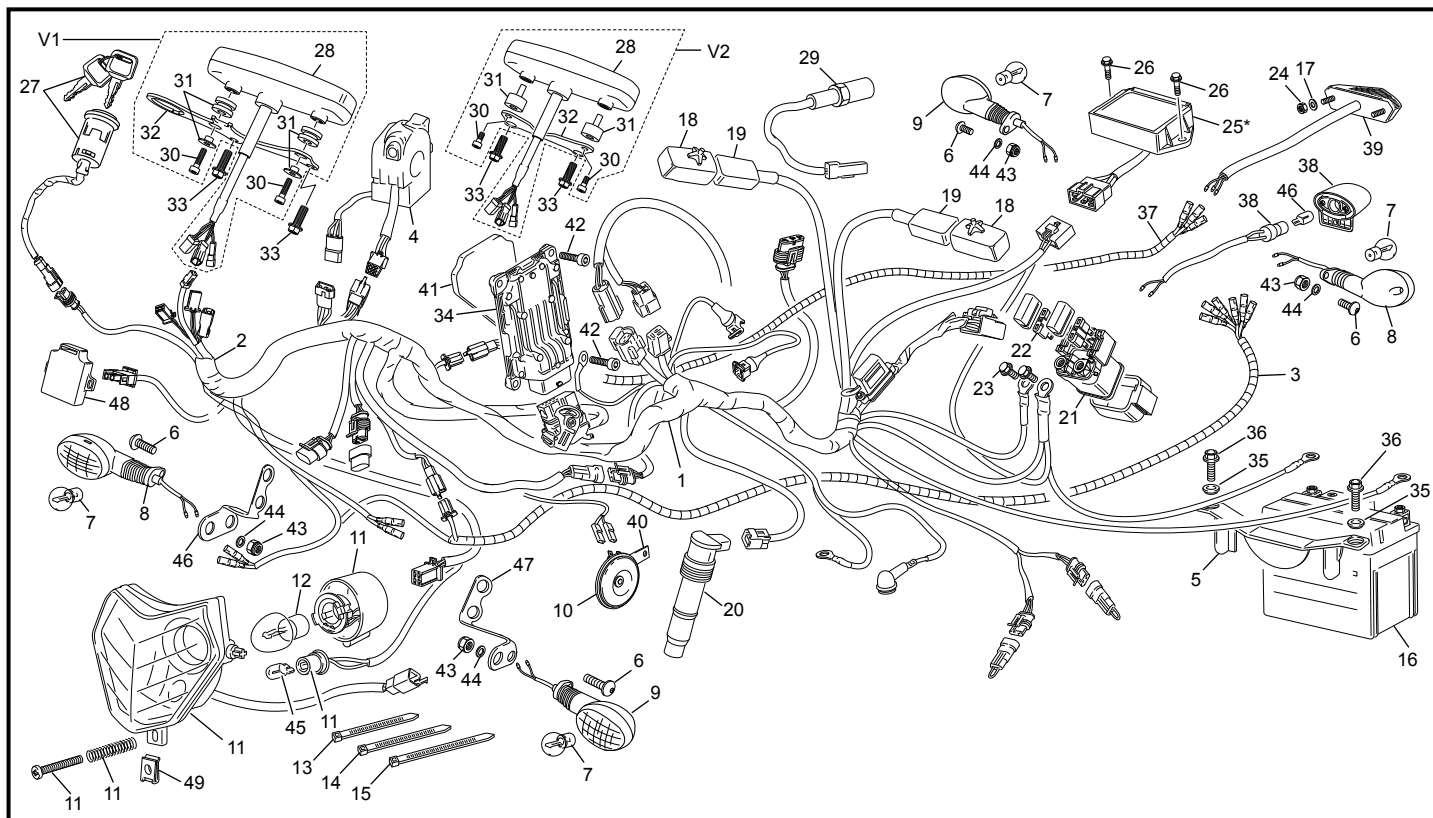
POS.	450 SEF-R RACING	FRANÇAIS	ENGLISH	ESPAÑOL
1	3560	POMPE FREIN AR END 2.5/5.1 12	REAR MASTER CYLINDER 2.5/5.1 12	BOMBA FRENO TRASERO 2.5/5.1 12
2	3696	COUVERCLE DE MAITRE CYLINDRE AR COMPLET BREMBO	REAR BRAKE CYLINDER SET COVER BREMBO	TAPETA BOMBA FRENO TRASSERO COMPLETO BREMBO
3	3695	JOINT DE MAITRE CYLINDRE AR BREMBO	FOOT BRAKE CYLINDER GASKET	JUNTA BOMBA FRENO TRASSERO
4	5705	CONTACT FREIN AVANT BREMBO EVO	MICRO SWITCH BREMBO EVO	INTERRUPTOR FRENO DELANTERO BREMBO EVO
5	5712	VIS BRIDE DE FIXATION MAITRE CYLINDRE BREMBO	CLAMP SCREW BREMBO	TORNILLO TAPA FIXACION BOMBA EMBRAGE BREMBO
6	5707	LEVIER DE FREIN AVANT AVEC REGLAGE BREMBO	BRAKE LEVER WITH SETTING BREMBO	MANETA FRENO DELANTERO AJUSTABLE BREMBO
7	5708	PROTECTION LEVIER DE FREIN AVANT BREMBO	PROTECTION CAP HAND BRAKE BREMBO	GUARDAPOLVO MANETA FRENO DELANTERO BREMBO
8	5709	BOULON LEVIER DE FREIN AVANT BREMBO	LEVER CSREW ASSEMBLY BREMBO	TORNILLO Y TUERCA MANETA FRENO DELANTERO BREMBO
9	4061	VALVE ANTI BULLE EMBRAYAGE BREMBO	VALVE ANTI BUBLE CLUTCH BREMBO	VÁLVULA ANTI BURBUJA EMBRAGE BREMBO
10	5711	BRIDE DE FIXATION MAITRE CYLINDRE BREMBO	CLAMP ASSEMBLY NATURE BREMBO	TAPA FIXACION BOMBA BREMBO
11	5721	COUVERCLE POMPE BREMBO	CAP FRONT BREMBO	TAPETA BOMBA
12	5544	POMPE FREIN AV CPL END R 250/510 2015	FRONT BRAKE MASTER CYLINDER END 2015	BOMBA FRENO DEL BREMBO END 2015
13	5713	KIT REPARATION MAITRE CYL.	KIT REPAIR FRONT MASTER CYLINDER	KIT REPARACION BOMBA DEL
14	4059	KIT REPARATION MAITRE CYL. FREIN AR BREMBO END 12	PISTON SET REAR MASTER CYLINDER BREMBO END 12	KIT REPARACION BOMBA TRAS BREMBO END 12
15	6868	POMPE EMB CPL BREMBO 9 MM	CLUTCH MASTER CYLINDER ASSY 9 MM	GRUPO BOMBA EMBRAGUE 9MM
16	5708	PROTECTION LEVIER DE FREIN AVANT BREMBO	PROTECTION CAP HAND BRAKE BREMBO	GUARDAPOLVO MANETA FRENO DELANTERO BREMBO
17	5721	COUVERCLE POMPE BREMBO	CAP FRONT BREMBO	TAPETA BOMBA
18	4063	KIT REPARATION PISTON EMBRAYAGE BREMBO END 12	KIT REPAIR PISTON CLUTCH BREMBO END 12	KIT REPARACION BOMBA EMBRAGE BREMBO END 12
19	5716	TIGE DE POUSSE EMBRAYAGE BREMBO	PUSH ROD CLUTCH BREMBO	VARILLA EMBRAGE BREMBO
20	4065	PIVOT DE LEVIER EMBRAYAGE BREMBO END 12	SPRING GUIDE MC CLUTCH BREMBO END 12	TORNILLO TUERCA MANETA EMBRAGE BREMBO END 12
21	5718	KIT ECROU DE FIXATION	LEVER SCREW KIT	JUEGO TORNILLO TUERCA MANETA EMBRAGE
22	5719	LEVIER EMB BREMBO	CLUTCH LEVER	MANETA EMB
23	4404	AXE ET CACHE POUSSIERE	AXEL DUST COVER/ BOOTS	EJE FONDA
24	5717	PIVOT DE LEVIER EMBRAYAGE BREMBO	SPRING GUIDE MC CLUTCH BREMBO	TORNILLO TUERCA MANETA EMBRAGE BREMBO
25	5929	KIT PIVOT DE LEVIER FREIN BREMBO	SPRING GUIDE BRAKE MC SET BREMBO	JUEGO TORNILLO TUERCA MANETA FRENO BREMBO
26	5720	VIS COUVERCLE BREMBO	SCREW CAP BREMBO	TORNILLO TAPETA BOMBA
27	5706	MENBRANE BREMBO MAITRE CYLINDRE EMBRAYAGE	RUBBER COVER BREMBO CLUTCH MASTER CYLINDER	GOMA DEL TAPA BREMBO EMBRAGE
28	8387	MENBRANE BREMBO MAITRE CYLINDRE FREIN AVANT	RUBBER COVER BREMBO FRONT BRAKE MASTER CYLINDER	GOMA DEL TAPA BREMBO FRENO DELANTERO

Radiateur / Radiator / Radiador



POS.	450 SEF-R RACING	FRANÇAIS	ENGLISH	ESPAÑOL
1	4463	RADIATEUR DROIT 250/500 EVO1	RIGHT RADIATOR 250/500 EVO1	RADIATOR DER END 250/500 EVO1
2	3027	RADIATEUR GAUCHE 250/500 2012	LEFT RADIATOR 250/500 2012	RADIATOR IZQ 250/500 2012
3	3265	BOUCHON RADIATEUR 2 OREILLES 1.8 BAR	2 HEAR RADIATOR TAP 1.8 BAR	TAPON RADIADOR 1.8 BAR 2 EAR
4	4621	GRILLE RADIATEUR D END 2013	RIGHT RADIATOR PROTECTOR END 2013	GRILLA RADIATOR DER END 2013
5	4622	GRILLE RADIATEUR G END 2013	LEFT RADIATOR PROTECTOR END 2013	GRILLA RADIADOR IZQ END 2013
8	4462	DURITE INF 450 END	RUBBER TUBE INF 450 END	MANGUITO INF 450 END
9	4460	DURITE SUP 450 END	RUBBER TUBE SUP 450 END	MANGUITO SUP 450 END
10	0281	COLLIER K025 FIXATION DURITE END 450 16-25 MM	COLLAR K025 HOSE RADIATOR END 450	BRIDA K025 TUBO RADIADOR END 450
11	0546	VIS TH EP 6 X 20	SREW TH EP 6 X 20	TORNILLO TH EP 6 X 20
12	4939	RONDELLE M6 X 22 INOX	WASHER M6 X 25 INOX	ARANDELA M6 X 25 INOX
13	0748	BOUCHON VASE EXPANSION END 450	EXPANSION TANK STOPPER END 450	TAPON VASO EXPANSION END 450
14	3079	VASE D'EXPANSION END	EXPANSION TANK END	VASO EXPANSION END
15	3903	DURITE EXPANSION L260 250 300 END 2012	EXPANSION PIPE L260 250 300 END 2012	TUBO EXPANSION L260 250 300 END 2012
16	3910	DURITE EXPANSION RADIATEUR L900 250 300 END 2012	EXPANSION PIPE RADIATOR L900 250 300 END 2012	TUBO EXPANSION RADIDOR L900 250 300 END 2012
18	0565	ENTRETOISE INOX CARROSSERIE 450 END	SPACER INOX BOODY 450 END	CASQUILLO INOX CARROCERIA 450 END
19	0554	VIS TH EP 5 X 20	SREW TH EP 5 X 20	TORNILLO TH EP 5 X 20
20	0601	RONDELLE ALU 6.5 X 11 X 1 END 450	WASHER ALU 6.5 X 11 X 1 END 450	ARENDELLA ALU 6.5 X 11 X 1 END 450
21	0592	VIS TH EP 6 X 8	SCREW TH EP 6 X 8	TORNILLO TH EP 6 X 8
22	3779	ENTRETOISE RADIATEUR END 4T	SPACER RADIATOR END 4T	CASQUILLO RADIADOR END 4T
23	H059	SILENT BLOC RADIATEUR	RADIATOR SILENTBLOCK	SILENTBLOCK RADIADOR
25	4515	MOUSSE PROTECTION RADIATEUR END	FOAM PROTEC RADIATOR END	ESPUMA RADIATOR M3C END
27	5569	COLLIER COBRA 9	COLLAR COBRA 9	ABRAZADERA COBRA 9
28	5310	COLLIER 20-32/9mm.	CLAMP 20-32/9mm.	BRIDA NORMA 20/32

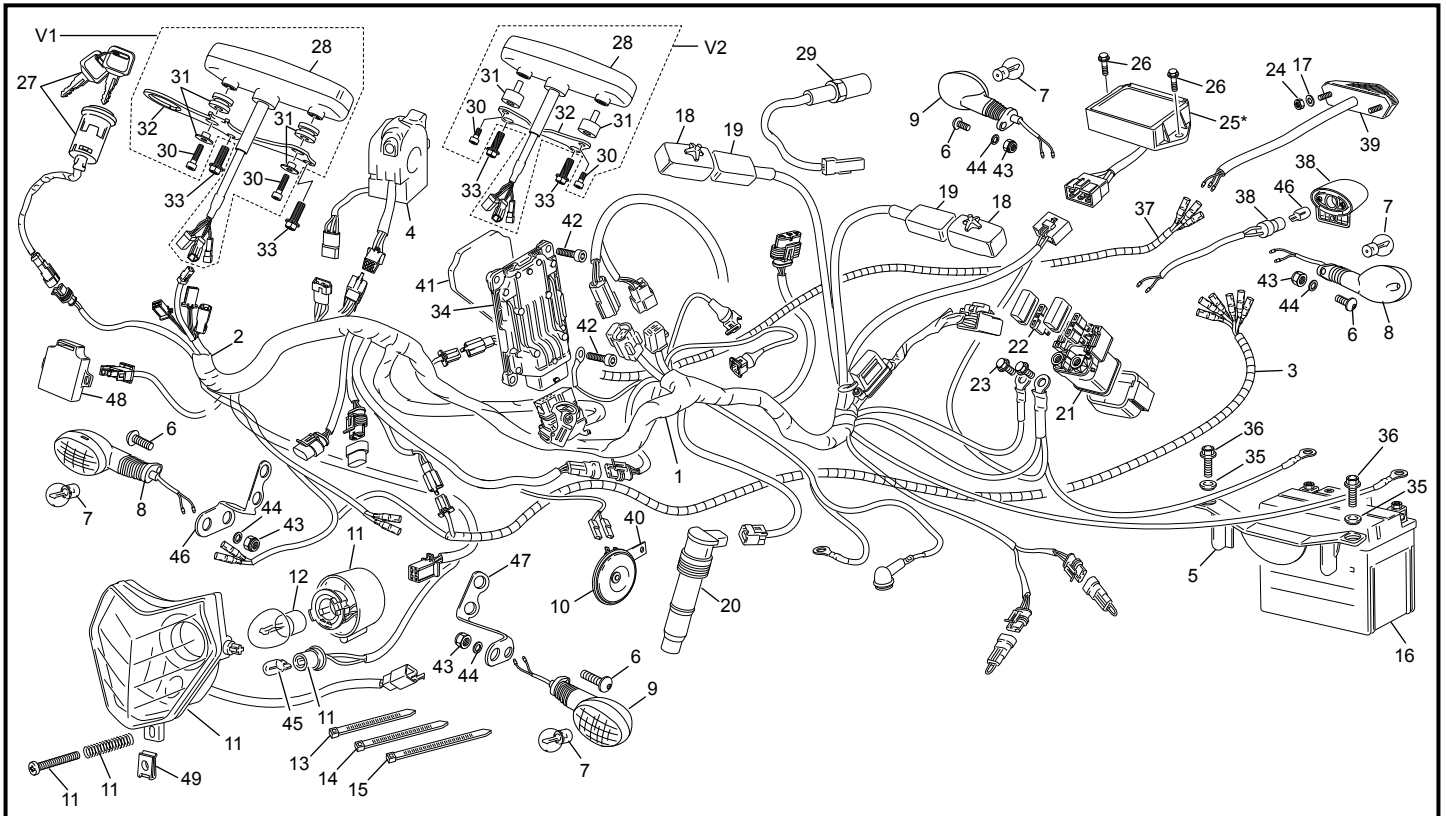
Faisceau électrique / Electrical system / Instalación eléctrica



POS.	450 SEF-R RACING	FRAÇAIS	ENGLISH	ESPAÑOL
1	6781	FAISCEAU ELECT INJECTION END EURO 4	INJECTION ELECTRIC CABLE SYSTEM END EURO 4	INSTALATION ELECTRIC INJECTION END EURO 4
2	8145	FAISCEAU LUMIERE ET HOMOLOGUATION	LIGHT AND HOMOLOGATION WIRE HARNESS SYSTEM	HAZ DE LUZ Y HOMOLOGACION ESTANDAR
2	6845	FAISCEAU ELECT RACING END 250/300 EURO4	RACING ELECTRIC CABLE SYSTEM END EURO4	INSTALATION ELECTRIC RACING END EURO4
4	0413	COMMODO GAUCHE END 450	SWITCH LEFT END 450	COMODO ELECTRIC END 450
5	3099	CALE BATERIE END	BATTERY HOLDER END	SUPPORTO BATERIE END
6	M283	VIS BHC 6 X 16 1093 ZI NI TR	SCREW BHC 6 X 16 ZI NI TR	TORNILLO 6 X 16 ULS ZI NI TR
7	C405	AMPOULE CLIGNO 10W 12V	BULB IND LIGHT 10W 12V	BOMBILLA INTERMITENTES 10W 12V
8	5004	CLIGNOTEUR AVD/ARG 50 END	TURN LIGHT FRONT/RIGHT AND REAR/LEFT 50 END.	INTERMITENTE DEL.DER./TRAS.IZQ 50 END
9	5005	CLIGNOTEUR AVG/ARD 50 END	TRUN LIGHT FRONT/LEFT REAR/RIGHT END 50	INTERMITENTE DEL./IZQUIERDO TRAS./DERECHO 50 END.
10	0447	CLAXON END 450	HORN END 450	CLAXON END 450
11	3053	OPTIQUE PHARE END/SM EVO	FRONT LIGHT OPTICAL END/SM EVO	FARO DEL END/SM EVO
12	C403	AMPOULE PHILIPS PHARE HOMOL 12V 35/35W	BULB FRONT LIGHT PHILIPS HOMOL 12V 35/35W	BOMBILLA FARO PHILIPS 12V 35/35W
13	M330	COLLIER RISLAN 178 X 4.8	PLASTIC CLAMPS 178 X 4.8	ABRAZADERA 178 X 4.8
14	C441	COLLIER RYSLAN 280 X 4.8	PLASTIC CLAMPS 280 X 4.8	ABRAZADERA 280 X 4.8
15	M331	COLLIER RISLAN 100 X 2.5	PLASTIC CLAMPS 100 X 2.5	ABRAZADERA 100X 2.5
16	3094	BATTERIE YUASA 12 V 5 AMP END 2012	BATTERY YUASA 12V 5 AMP END 2012	BATTERIE YUASA 12V 5 AMP END 2012
17	M318	RONDELLE 4X12 0411	WASHER 4X12	ARANDELA 4X12
18	1291	SUPPORT RELAIS END 450	HOLDER RELAY END 450	SUPPORTO RELE END 450
19	5095	RELAIS ECU SYN END	SYN ECU RELAY END	RELE ECU SYN END
20	0967	BOBINE CRAYON 250 END	IGNITION SPARK PLUG CAP 250 END	BOBINA PIPA BUJIA 250 END
21	0367	RELE DEMARREUR END	STARTER RELEY END	STARTER RELEY END
22	0661	FUSIBLE 30 A LITLIFUSE	FUSIBLE 30 A LITLIFUSE	FUSIBLE 30 A LITLIFUSE
23	0592	VIS TH EP 6 X 8	SCREW TH EP 6 X 8	TORNILLO TH EP 6 X 8
24	M307	ECROU NYLSTOP M4 0368.4	NUT NYLSTOP M4	TUERCA NYLSTOP M4
25	7215	REGULATEUR END EVO	REGULATOR END EVO	REGULADOR END EVO
26	0546	VIS TH EP 6 X 20	SREW TH EP 6 X 20	TORNILLO TH EP 6 X 20
27	7254	BLOC CLE DEMARRAGE 4T EURO4	BLOC KEY STARTER EURO 4	BLOC LLAVE ARRANQUE EURO 4
28	4387	COMPTEUR DE VITESSE END TRAIL TECH 2013	SPEEDOMETER END TRAIL TECH 2013	VELOCIMETRO END TRAIL TECH 2013
29	4508	CABLE CAPTEUR COMPTEUR END TRAIL TECH	SPEEDOMETRO SENSOR HARNESS END TRAIL TECH	INSTALACION SENSOR VELOCIMTRTO END TRAIL TECH
30	M267	VIS CHC 4 X 16 0084 Zn Ni Tr	SCREW VIS CHC 4 X 16 Zn Ni Tr	TORNILLO 4 X 16 ALLEN Zn Ni Tr
30	1474	VIS CHC M4 X 8 PRE IMPREGNEE FAIBLE	SCREW M4 X 8 CHC	TORNILLO M4X8 CHC
31	5575	SILENT BLOC COMPTEUR	DASHBOARD SILENTBLOCK	SILENTBLOCK
31	4513	KIT SILENT BLOC ENTRETOISE COMPTEUR END TRAIL TECH	DASHBORD ISOLATOR KIT END TRAIL TECH	KIT SILENBLOC VELOCIMETRO END TRAIL TECH
32	5574	SUPPORT COMPTEUR END TRAIL TECH RACING EVO	SPEEDO METER HOLDER END TRAIL TECH RACING EVO	SUPPORTE VELOCIMETRO END TRAIL TECH RACING EVO

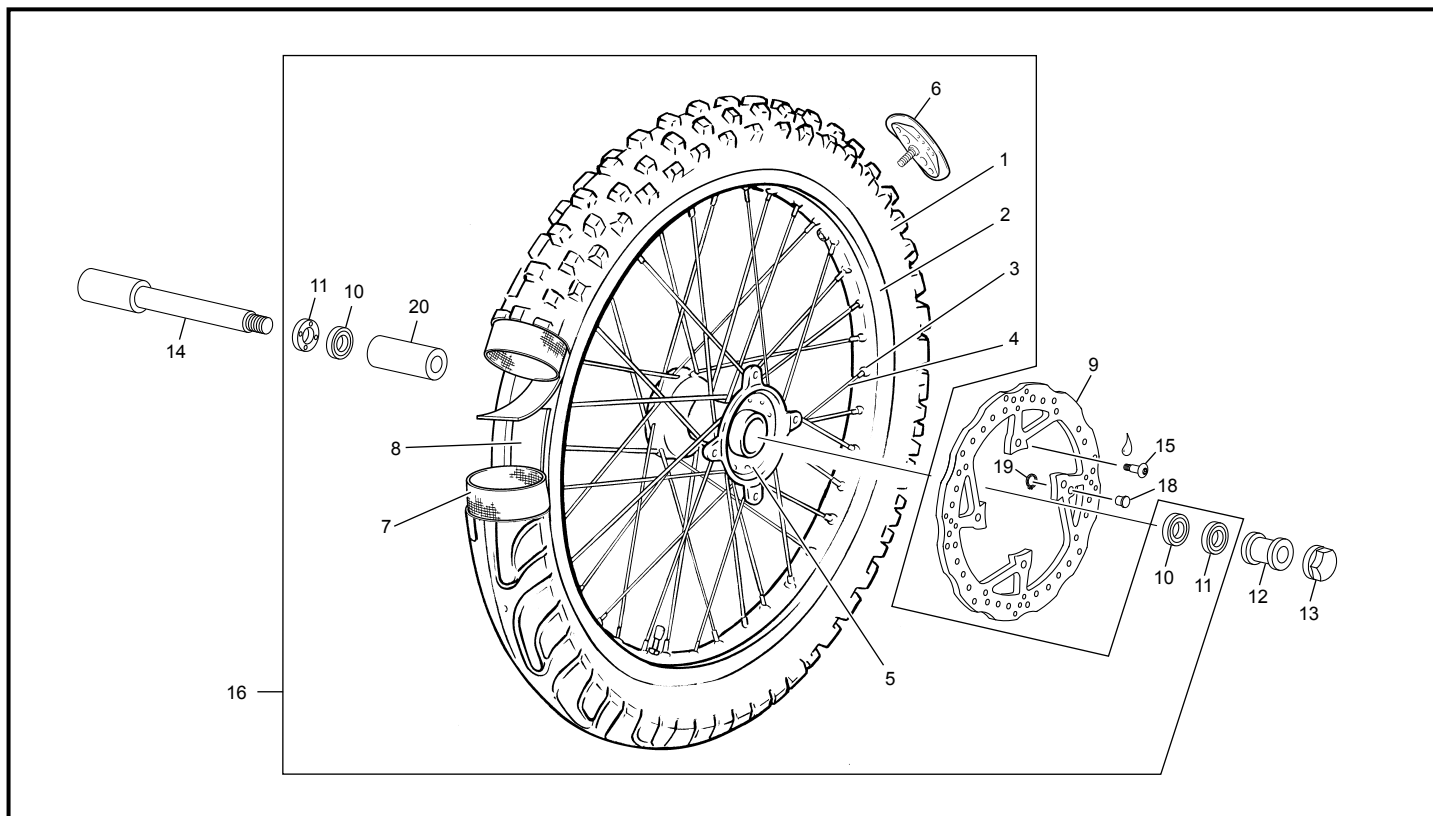
*Sherco se réserve les droits de modification des références, merci de contrôler sur le portail Sherconetwork avant toute commande. - *Sherco reserves the right to make change on the references, please check on your Sherconetwork portal before ordering.
 *Sherco se reserva el derecho para hacer modificaciones sobre las referencias. Por favor, verifica en el Sherconetwork antes de hacer un pedido.

Faisceau électrique / Electrical system / Instalación eléctrica



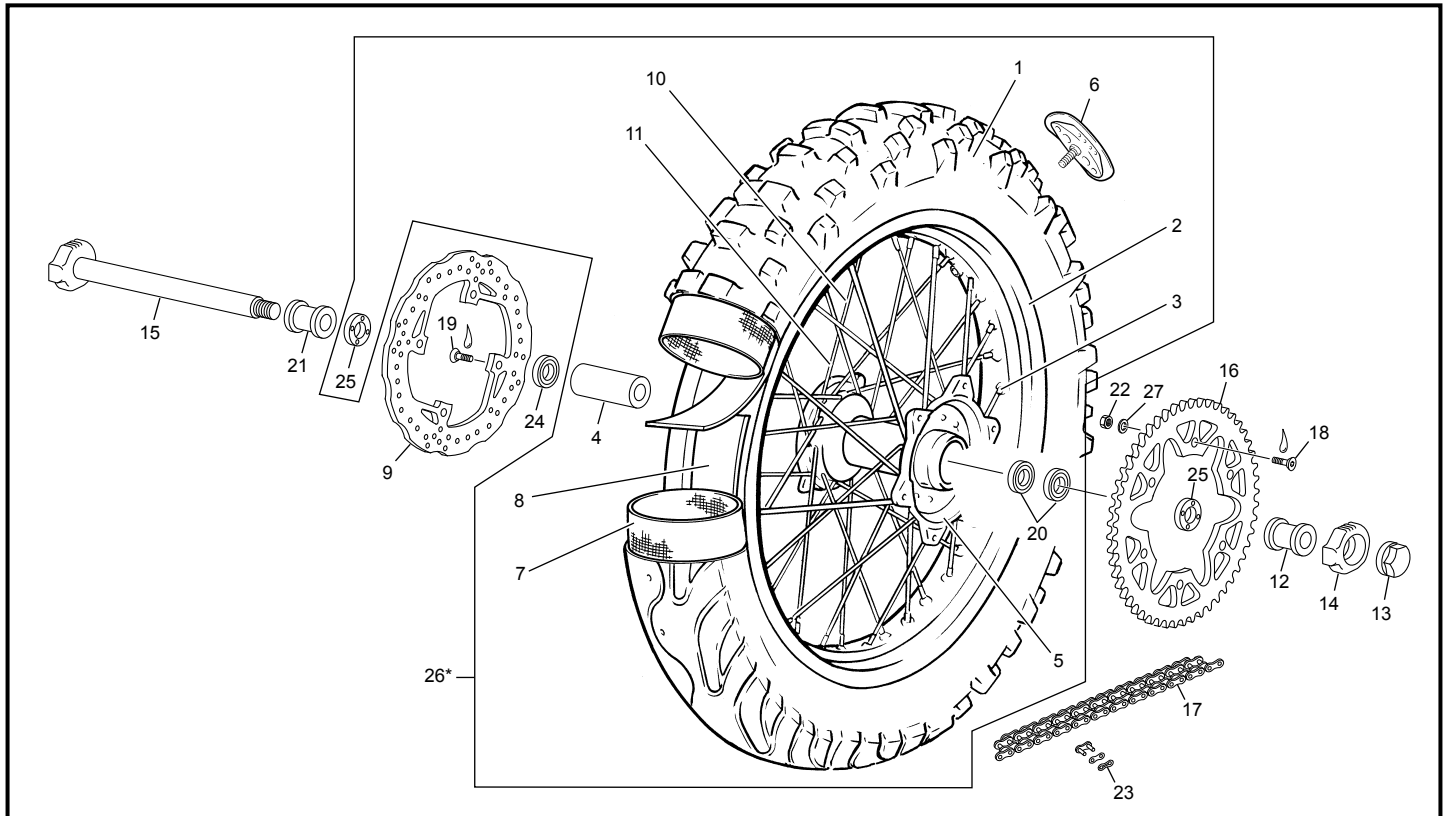
POS.	450 SEF-R RACING	FRANÇAIS	ENGLISH	ESPAÑOL
32	4389	SUPPORT COMPTEUR SE SEF 250 TRAIL TECH EURO 4	SPEEDO METER HOLDER SE SEF 250 TRAIL TECH EURO 4	SUPORTE VELOCIMETRO SE SEF 250 TRAIL TECH EURO 4
33	0656	VIS TH EP 6 X 16	SREW TH EP 6 X 16	TORNILLO TH EP 6 X 16
34	3459	ECU SYN END M3C	ECU SYN END M3C	ECU SYN END M3C
35	3096	ENTRETOISE CARROSSERIE 2.3 END 2012	SPACER 2.3 INOX BOODY END 2011	CASQUILLO 2.3 INOX CARROCERIA END 2011
36	0553	VIS TH EP 5 X 12	SREW TH EP 5 X 12	TORNILLO TH EP 5 X 12
37	3509	FAISCEAU ELECT ACCESSOIRE 250 300 END 12	ACCESORY ELECTRIC CABLE SYSTEM 250 300 END 12	INSTALACION ELECTRIC ACCESSOIRE 250 300 END 12
38	3510	FEU ECLAIRAGE PLAQUE END 2012	PLATE NUMBER REAR LIGHT END 2012	FARO TRAS HOMOLO END 2012
39	3506	FEU AR END 450 2012	RACING REAR LIGHT END 450 2012	RACING FARO TRAS END 450 2012
40	4088	SUPPORT AVERTISSEUR 250/300 END 2012	KLASON SUPPORT 250/300 END 2012	SOPORTE KLAKSON 250/300 END 2012
41	4474	MOUSSE ECU M3C END	FOAM ECU M3C END	ESPUMA ECU M3C END
42	0659	VIS CHC M5 X 25 PRE IMPREGNEE FAIBLE	SCREW CHC M5 X 25 PRE IMPREGNEE FAIBLE	TORNILLO M5 X 25 DIN 912 PRE IMPREGNEE FAIBLE
43	M306	ECROU NYLSTOP M6 0368.6	NUT NYLSTOP M6	TUERCA NYLSTOP M6
44	C427	RONDELLE M6 X 15	WASHER M6 X 15	ARANDELA M6 X 15
45	C067	AMPOULE 2001 12V 5W	BULB 2001	BOMBILLA 2001 12V 5W
46	3502	SUPPORT CLIGNOTANT DROIT END 2012	SUPPORT RIGHT TURN LIGHT END 2012	SOPORTE INTERMITENTES DER. END 2012
47	3503	SUPPORT CLIGNOTANT GAUCHE END 2012	SUPPORT LEFT TURN LIGHT END 2012	SOPORTE INTERMITENTES IZQ. END 2012
48	0364	CENTRALE CLIGNOT END 450	INDICATIVE LIGHT SYSTEM END 450	CENTRAL INTERMITENCIA END 450
49	M378	ECROU CLIP M5	NUT CLIM M5	TUERCA CLIP M5

Roue avant / Front wheel / Rueda delantera



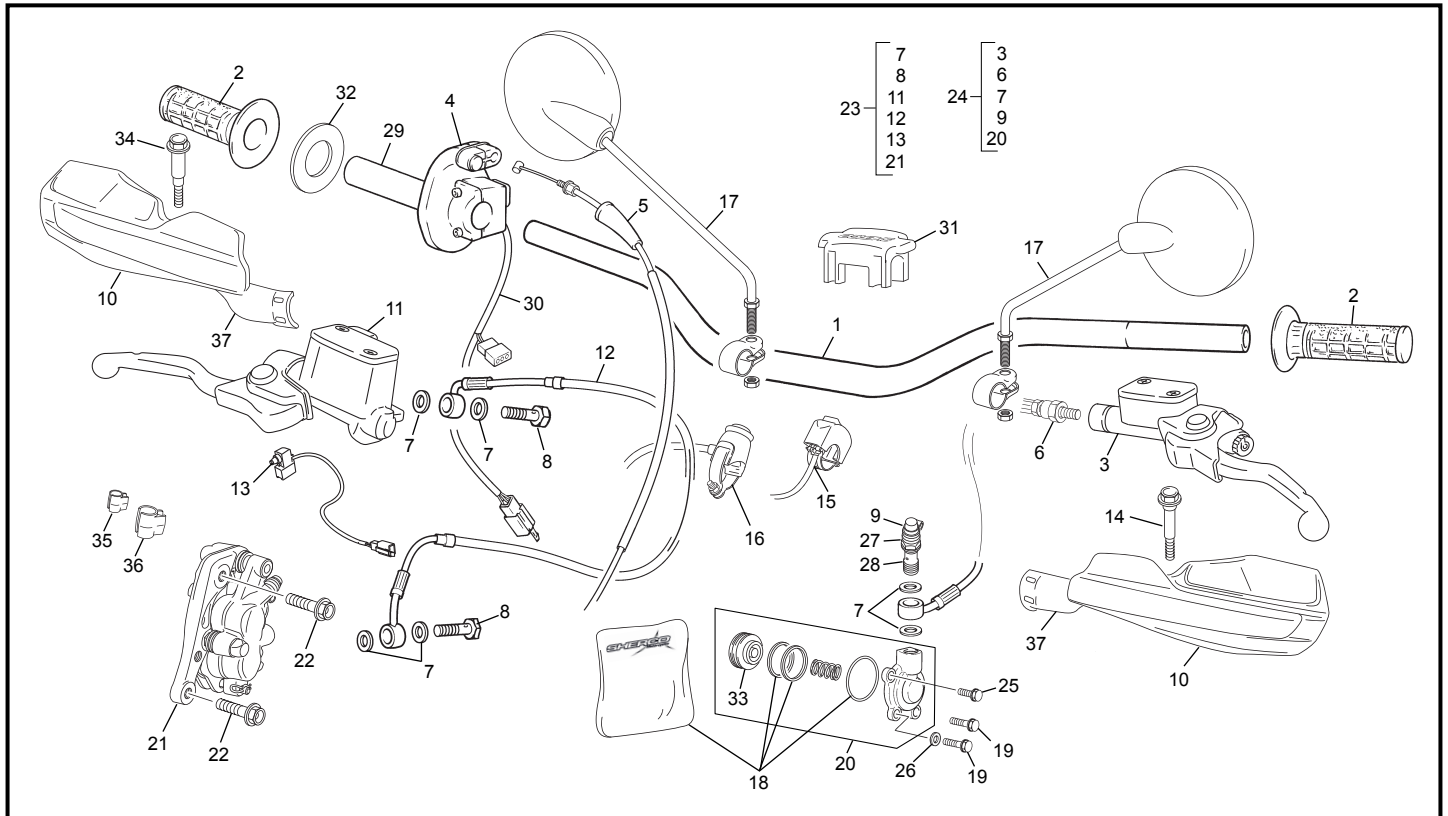
POS.	450 SEF-R RACING	FRANÇAIS	ENGLISH	ESPAÑOL
1	7392	PNEU AVANT 90/90 - 21 54R F TT MEDIUM	FRONT TYRE 90/90 - 21 54R F TT	NEUMATICO DEL 90/90 - 21 54R F TT
2	1203	JANTE NOIRE AV 1.6 X 21 END 450	BLACK RIM FRONT 1.6 X 21 END 450	LLANTA NEGRA DEL 1.6 X 21 END 450
3	6181	ECROU RAYON ALUMINIUM M5/M4	SPOKE HEAD ALOYALUMINIUM M5/M4	CABEZA RADIO ALUMINIO M5/M4
4	6183	RAYON AVANT 3.5/3/6/3.5 233 SE/SEF	SPOKE FRONT 3.5/3/6/3.5 233 SE/SEF	RADIO DELANTERO 3.5/3/6/3.5 233 SE/SEF
5	0822	MOYEU COMPLET AV SM 450	HUB SM 450	BUJE DEL CPL SM 450
6	0311	GRIPSTER 1.6 END 450	TYRE STAY END1.60	AGARRACUBERTIAS END 450
7	0313	CHAMBRE OXIA 2.75/3.00-21 80 / 100 - 21	TUBE OXIA 2.75/3.00-21 80 / 100 - 21	CUBIERTAS 21 END/MX 2.75/3.00-21
8	0314	FOND JANTE AV 21 END 450	RIM RUBBER BAND 21 END 450	FONDO LLANTAS 21 END 450
9	6751	DISQUE FREIN AV XP	FRONT BREAK DISC XP	DISCO FRENO DEL XPL
10	0175	ROULEMENT BILLE 6004.2RSH/C3	BERING BALL 6004.2RSH/C3	COJINETE 6004.2RSH/C3
11	0706	JOINT DOUBLE LEVRE 25 X 42 X 7	SEAL 25 X 42 X 7	RETEN 25 X 42 X 7
12	6750	ENTRETOISE ROUE AVANT XPLOR / KYB	FRONT WHEEL SPACER XPLOR / KYB	CASQUILLO RUEDA DEL XPLOR / KYB
13	0316	ECROU ROUE AVANT END 450	FRONT WHEEL BOLT END 450	TUERCA RUEDA DEL END 450
14	6759	AXE DE ROUE AVANT XPLOR	FRONT WHEEL AXEL XPLOR	EJE RUEDA DEL XPLOR
15	0452	VIS SPECIALE DISQUE END 450	SCEW SPECIAL BRAKE DISC END 450	TORNILLO ESPECIAL DISCO FRENO END 450
16	7608	ROUE AVANT XP NOIRE SANS DISQUE MICHELIN FIM	FRONT WHEEL XP BLACK WITHOUT DISC MICHELIN FIM	RUEDA DEL XP NEGRA SIN DISCO MICHELIN FIM
18	4529	AIMANT CAPTEUR COMPTEUR TRAIL TECH	MAGNETIC BOLT TRAIL TECH	IMAN SENSOR CONTADOR TRAIL TECH
19	4603	CIRCLIP AIMANT D9 TRAIL TECH	CIRCLIP D9	CIRCLIP D9
20	4972	ENTRETOISE MOYEU AV 250/510 END	FRONT HUB SPEACER 250/510 END	SEPARADOR BUJE DEL 250/510 END

Roue arrière / Rear wheel / Rueda trasera



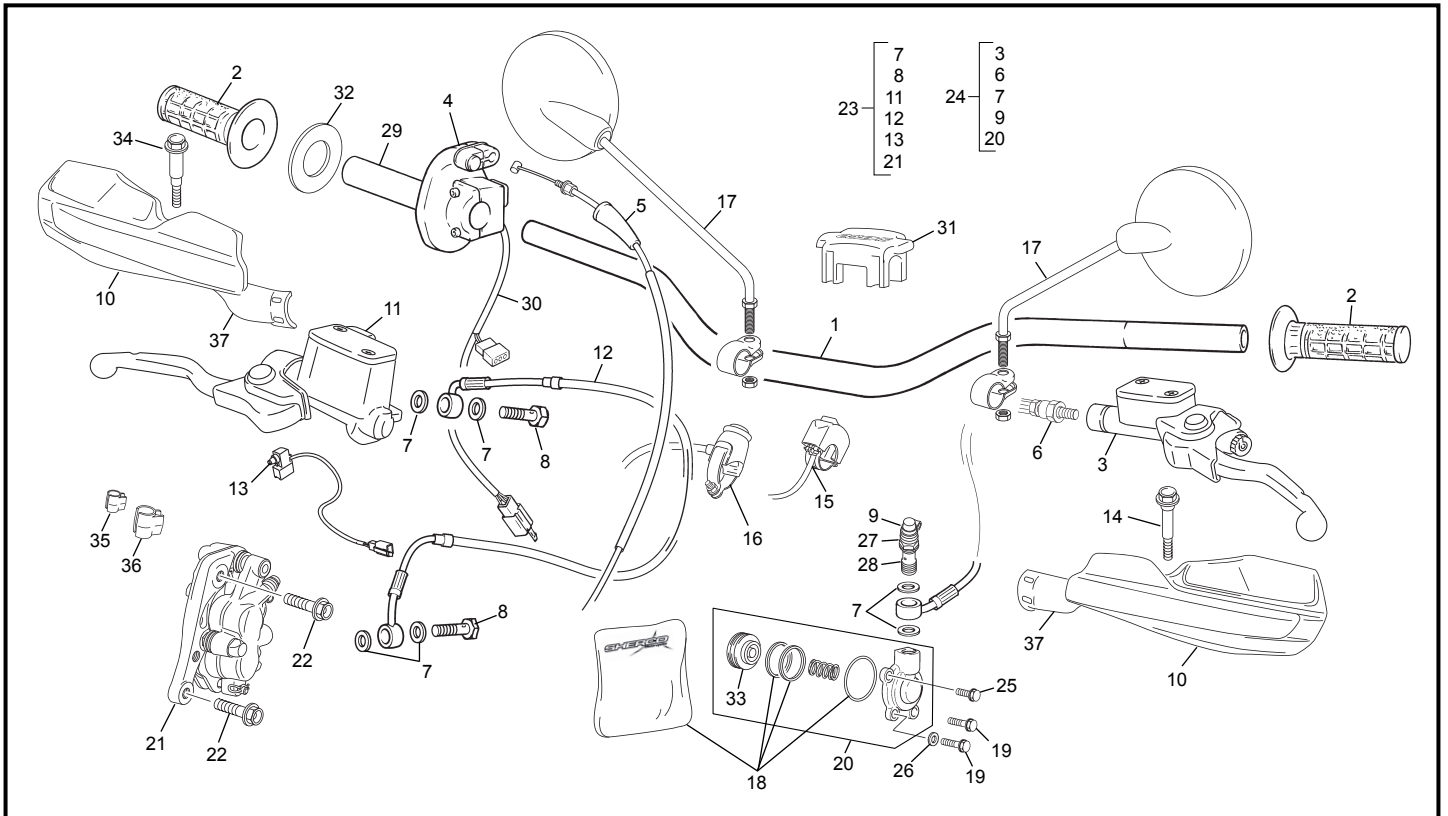
POS.	450 SEF-R RACING	FRANÇAIS	ENGLISH	ESPAÑOL
1	7391	PNEU AR 140 X 18 70R R TT MEDIUM	BACK TYRE 140 X 18 70R R TT	NEUMATCO TRAS 140 X 18 70R R TT
2	1204	JANTE NOIRE AR 2,15 X18 END 450	BLACK REAR RIM 2.15 X18 END 450	LLANTA NEGRA TRAS 2.15 X18 END 450
3	6182	ECROU RAYON ALUMINIUM M5/M4.5	SPOKE HEAD ALOYALUMINIUM M5/M4.4	CABEZA RADIO ALUMINIO M5/M4.5
4	4973	ENTRETOISE MOYEU AR 250/510 END	REAR HUB SPEACER 250/510 END	SEPARADOR BUJE TRAS 250/510 END
5	0823	MOYEU COMPLET AR SM	BACK HUB SM	BUJE TRAS SM
6	3576	GRIPSTER RACING 2.15" AR END 450	RACINGTYRE STAY BACK END 2.15"	AGARRACUBIERTAS RACING TRAS END 450
7	0324	CHAMBRE AIR 18 END 250/510	TUBE OXIA 4.25/4.50-18 140/80-18	CAMARA 18 END 250/510
8	0325	FOND JANTE AR 18 END 450	BACK RIM RUBBER 18 END 450	FONDO LLANTA 18 END 450
9	3499	DISQUE FREIN AR END 2012	BACK BRAK DISC END 2012	DISCO FRENO TRAS 2012
10	6633	RAYON POSTERIEUR 4/35./4 L 193	ECO ZING SPOKE 4/3.5/4 193 MM THREAD MM18 NECK 2 BEND 171	RADIO TRASERO 4/35./4 L 193
11	6634	RAYON POSTERIEUR 4/35./4 L 197	ECO ZING SPOKE 4/3.5/4 197 MM THREAD MM18 NECK 3 BEND 171	RADIO TRASERO 4/35./4 L 193
12	0343	ENTRETOISE ROUE AR GAUCHE END 450	REAR WHEEL SPACER LEFT END 450	CASQUILLO RUEDA TRAS IZQ END 450
13	0329	ECROU ROUE AR	REAR BOLT WHEEL	TUERCA RUEDA TRAS
14	0327	TENSEUR CHAINE DROIT END 450	RIGHT CHAIN TENSOR END 450	ENSOR CADENA DER END 450
15	0326	AXE DE ROUE AR END	REAR WHEEL AXEL END	EJE RUEDA TRAS END
16	0331	COURONNE AR 48 D END 450	REAR SPROCKET 48 T END 450	CORONA 48D END 450
16	1966	COURONNE AR 49 D END	REAR SPROCKET 49 T END	CORONA 49D END
16	1967	COURONE AR 50 D END 450	REAR SPROCKET 50 T END 450	CORONA 50 D END 450
17	5065	CHAINE 114M END	CHAIN 114M END	CADENA 114M END
18	0454	VIS SPECIALE COURONNE END 450	SCREW SPECIAL SPROCKET END 450	TORNILLO ESPECIAL CORONA END 450
19	0452	VIS SPECIALE DISQUE END 450	SCEW SPECIAL BRAKE DISC END 450	TORNILLO ESPECIAL DISCO FRENO END 450
20	0716	ROULEMENT 6005 2RSH 25X47X12 END 450	BEARING 6005 2RSH 25X47X12	RODAMIENTO 6005 2RSH 25X47X12
21	3495	ENTRETOISE ROUE AR DROITE END 2012	REAR WHEEL SPACER RIGHT END 2012	CASQUILLO RUEDA TRAS DER END 2012
22	M305	ECROU NYLSTOP M8 0368.8	NUT NYLSTOP M8	TUERCA NYLSTOP M8
23	R473	ATTACHE RAPIDE DE CHAINE DID END	CONNECTING LINK DID END	ENGANCHE CADENA END DID
24	0707	ROULEMENT 63005 2RS 25X47X16	BEARING 63005 2RS 25X47X16	RODAMIENTO 63005 2RS 25X47X16
25	0718	JOINT LEVRE 32X47X7 END 450	OIL SEAL 32X47X7	RETEN 32X47X7
26	7609	ROUE ARRIERE END 450 NOIRE NUE RAYONS EVO	REAR WHEEL END 450 NOIRE NAKED SPOKE EVO	RUEDA TRAS END 450 NOIRE SIN DISCO RADIO EVO
27	C430	RONDELLE M8	WASHER M8	ARANDELA M8

Guidon / Handlebar / Manillar



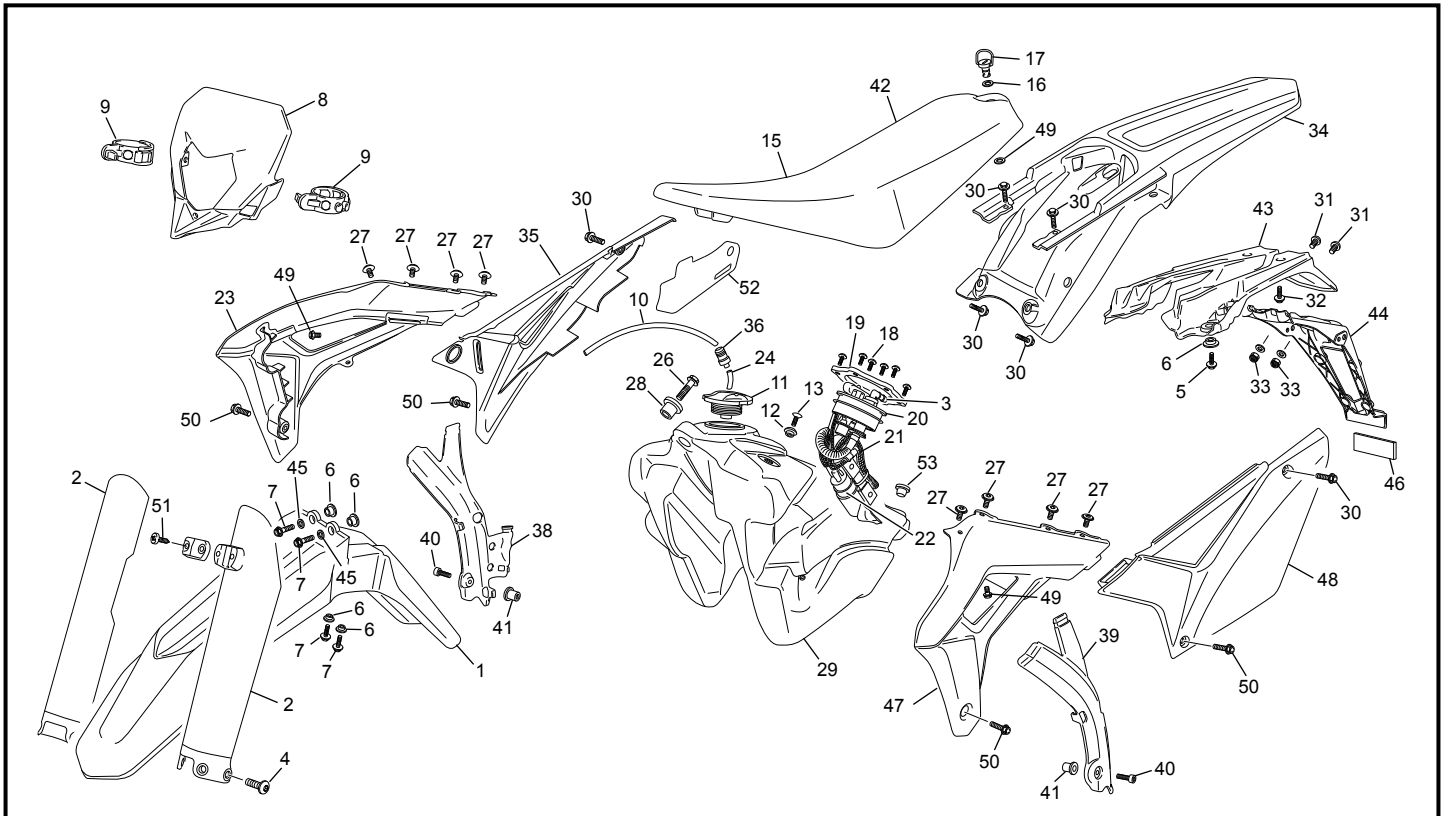
POS.	450 SEF-R RACING	FRANÇAIS	ENGLISH	ESPAÑOL
1	6978	GUIDON NOIR ANTRACITE END EVO	BLACK ANTHRACITE HANDLE BAR END EVO	MANILLAR ANTRACITA END 450
2	6100	POIGNEE SHERCO PAIRE NOIR BLANC	GRIPS SET SHERCO BLACK WITHE	JUEGO EMPUNADURAS SHERCO NEGRA BLANCO
3	6868	POMPE EMB CPL BREMBO 9 MM	CLUTCH MASTER CYLINDER ASSY 9 MM	GRUPO BOMBA EMBRAGUE 9MM
4	4619	COMMANDE DE GAZ END 250/300 SYN	THROTTLE GAZ END 250/300 SYN	MANDO GAS END 250/300 SYN
4	8638	ESCAROT COMMANDE GAZ	RING	ANILLO DE GAS DE CONTROL
5	4832	CABLE DE GAZ SEF EVO	THROTTLE CABLE SEF EVO	CABLE DE GAZ SEF EVO
6	3617	DURITE EMBRAYAGE END 125/250/300	CLUTCH HOSE 125/250/300	LATIGUILLO EMBRAGUE 125/250/300
7	3620	RONDELLE BANJO END BREMBO	COPPER WASHER END BREMBO	ARANDELLA BANJO END BREMBO
8	3619	VIS RACCORD BANJO END 2.5/3.0 12	BANJO BOLT END 12	TORNILLO RACORD END 12
9	3618	PROTECTION VIS DE PURGE END 12	DUST COVER END 12	PROTECCIÓN TORNILLO DE PURGA END 12
10	6748	PARES MAINS BLANC JEU SE SEF	HAND GUARD WHITE SHERCO SET END	PARA MANO BLANCO JUEGO SHERCO END
11	5544	POMPE FREIN AV CPL END R 250/510 2015	FRONT BRAKE MASTER CYLINDER END 2015	BOMBA FRENO DEL BREMBO END 2015
12	3563	DURITE FREIN AV END 2.5/5.1 12	FRONT BRAKE HOSE END 2.5/5.1 12	LATIGUILLO FRENO DELANTERO END 2.5/5.1 12
13	3697	CONTACT FREIN AVANT BREMBO	CONTACT FRONT BRAKE LIGHT BREMBO	INTERRUPTOR FRENO DELANTERO BREMBO
14	8024	KIT VIS PARES MAINS SEF GAUCHE	HAND GUARD SCREW CLUTCH SIDE KIT	TORNILLO PARA MANO SEF IZQUIRDA KIT
15	3507	COMMUTATEUR PHARE RACING END	COMMAND LIGHT RACING END	CONMUTADOR FARO RACING END
16	3658	BOUTON STOP MOTEUR ENDURO	STOP ENGINE ENDURO	STOP MOTOR EN DURO
17	5232	RETROVISEUR	DRIVING MIRROR	RETROVISOR
18	8381	KIT RECHANGE RECEPTEUR EMBRAYAGE 26.5	SPARE KIT CLUTCH RRECEIVER 26.5	KIT EMPUJADOR EMBRAGUE 26.5
19	0656	VIS TH EP 6 X 16	SREW TH EP 6 X 16	TORNILLO TH EP 6 X 16
20	8131	RECEPTEUR D EMBRAYAGE 26.5 END	CLUTCH RECEIVER 26.5 END	BOMBIN EMBRAGE 26.5 END
21	3561	ETRIER FREIN AVANT BREMBO END	BREMBO FRONT CALIPER ASSY END	PINZA FRENO DEL BREMBO END
22	4620	VIS TH EP M8 X 32 ETRIER BREMBO	SCREW TH EP M8 X 32	TORNILLO TH EP M8 X 32
23	5540	GROUPE FREIN AVANT COMPL END	FRONT BREAK SYSTEM END	CTO FRENO DEL END
24	8309	GROUPE EMBRAYAGE CLP END SE EVO	HYDROLIC CLUTCH SYSTEM EVO	CTO ENBRAGUE EVO
25	0943	VIS TH EP 6 X 12	SCREW TH EP M6 X 12	TORNILLO TH EP M6 X 12
26	M317	RONDELLE 6 X12 0407 6	WASHER X 6	ARANDELA 6 DIN 125 A
27	3639	PURGEUR BREMBO END 12	BLEEDER SCREW BREMBO	TORNILLO DE PURGA BREMBO
28	3640	RACCORD BANJO END 12	BANJO BOLT	TORNILLO BANJO BREMBO
29	4974	TUBE COMMANDE DE GAZ END MM	PIPE THROTTLE CONTROL END	TUBO MANDO DE GAS END
30	4975	CONNECTEUR DOUBLE COURBE	SWITCH DOBLE CURVE	CONECTADOR DOBLE ENCORVA

Guidon / Handlebar / Manillar



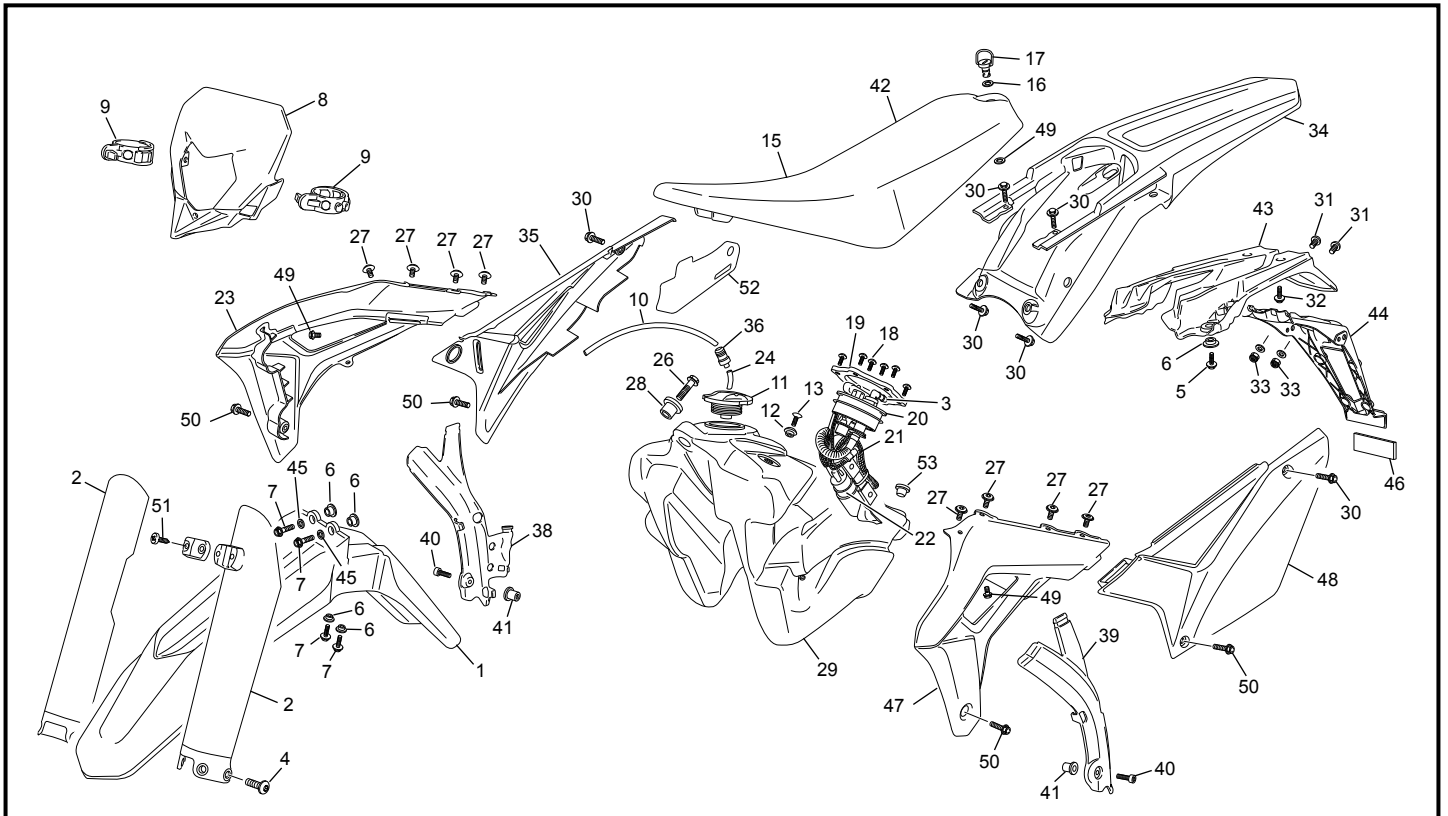
POS.	450 SEF-R RACING	FRANÇAIS	ENGLISH	ESPAÑOL
31	1270	MOUSSE GUIDON END 07	FOAM HANDLEBAR END 07	ESPUMA MANILLAR END 07
32	1970	RONDELLE FRICTION POIGNEE GAZ	PLATE THRUST	PLACA DE EMPUJE
33	8380	PISTON RECEPTEUR D EMBRAYAGE END	PISTON CLUTCH RECEIVER END	PISTON BOMBIN EMBRAGE END
34	8025	KIT VIS PARES MAINS SEF DROIT	HAND GUARD SCREW BRAKE KIT	TORNILLO PARA MANO SEF DERECHA KIT
35	6635	CLIP FIXATION CABLE COMPTEUR PETIT	WIRE FIXING CLIP SMALL	CLIP FIXACION CABLE CUENTAQUILOMETROS PEQUENO
36	6636	CLIP FIXATION CABLE COMPTEUR GRAND	WIRE FIXING CLIP BIG	CLIP FIXACION CABLE CUENTAQUILOMETROS GRANDE
37	6261	SUPPORT PARES MAINS SHERCO JEU SE SEF	HAND GUARD BRACKETS BLACK SHERCO SET END	SOPORTE PARA MANO JUEGO SHERCO END

Plastiques / Plastics / Plásticos



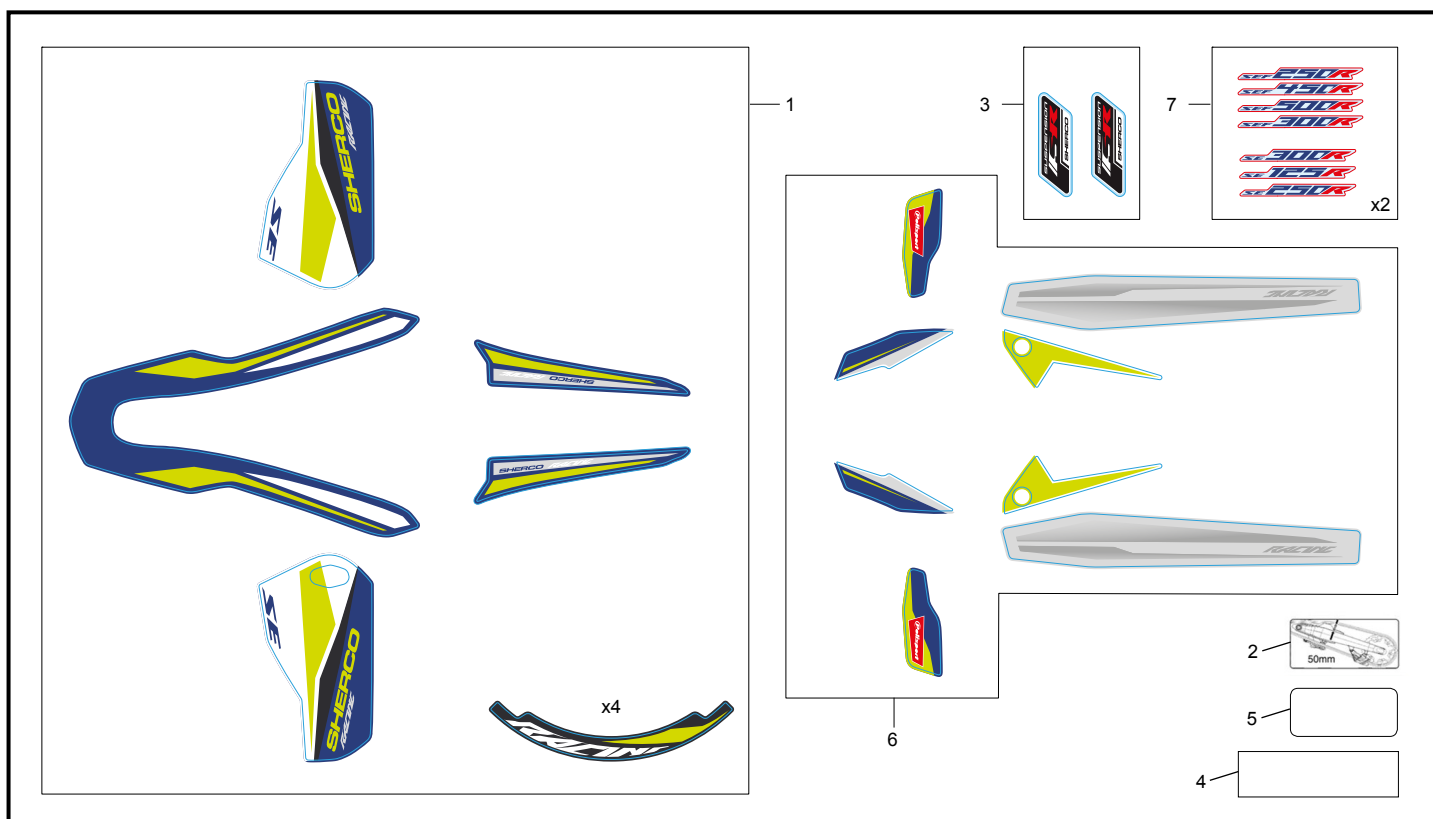
POS.	450 SEF-R RACING	FRANÇAIS	ENGLISH	ESPAÑOL
1	6383	PARE BOUE AVANT BLEU END 2016 EVO	BLUE FRONT MUGUARD END 450 2016 EVO	GUARDABARRO DEL AZUL END 450 2016 EVO
2	6755	PROTECTEUR FOURCHE BLANC PAIRE	WHITE FORK PROTECTOR SET	PROTECTOR HORQUILLA JUEGO BLANCO
3	4944	RACCORD PLASTIQUE POMPE ESS. END	FUEL CONEXION PUMP END	CONECTOR BOMBA GASOLINA END
4	6757	VIS SPECIALE PROTECTEUR FOURCHE XPLOR	FORK PROTECTOR BOLT XPLOR	TORNILLO ESPECIAL PROTECTOR HORQUILLA XPLOR
5	0546	VIS TH EP 6 X 20	SREW TH EP 6 X 20	TORNILLO TH EP 6 X 20
6	3097	ENTRETOISE 2 INOX CARROSSERIE END 2011	SPACER 2 INOX BOODY END 2011	CASQUILLO 2 INOX CARROCERIA END 2011
7	0546	VIS TH EP 6 X 20	SREW TH EP 6 X 20	TORNILLO TH EP 6 X 20
8	3065	PLAQUE PHARE END 2012	FRONT LIGHT PLASTIC END 2012	PLACA FARO END 2012
9	H050	ELASTIQUE PLAQUE PHARE	FRONT LIGHT RUBBER BAND	ELASTICO PLACA FARO
10	0252	DURITE ESSENCE Dia int 5 Dia ext 9 X 350 MM	PETROL TUBE Dia int 5 Dia ext 9 X 350 MM	TUBO RESPIRADERO Dia int 5 Dia ext 9 X 350 MM
11	H398	BOUCHON ESSENCE PLAT ACERBIS	PETROL CAP	TAPON GASOLINA PLANO ACERBIS
12	0497	FIXATION SELLE RESERVOIR END 450	SPACER SEAT /TANK END 450	CASQUILLO SILING DEPOSITO END 450
13	0652	VIS FHC M6 X 25	SCREW FHC M6 X 25	TORNILLO AVELL M6 X 25 DIN 7991
15	6971	SELLE END SE SEF LUNA	BLACK SEAT SE SEF LUNA	SILLIN NEGRA SE SEF LUNA
16	6732	RONDELLE PLASTIQUE SELLE 2017	WASHER PLASTIQUE SELLE 2017	ARENDELLA PLASTIQUE SELLE 2017
17	6685	DZUS DE SELLE L29 D8 END 2017	DZUS DE SELLE L29 D8 END 2017	DZUS DE SELLE L29 D8 END 2017
18	0888	VIS TH EP 5 X 16	SCREW TH EP M5 X16	TORNILLO TH EP M5 X16
19	3033	PLATINE SUPPORT POMPE INJECTION END 2012	INJECTION PUMP HOLDER END 2012	SUPPORTE BOMBA INJECTION END 2012
20	3550	JOINT TORIQUE POMPE A ESSENCE END 2012	O RING FUEL PUMP END 2012 VITON	TORICA BOMBA INYECCION FPM
21	3482	POMPE INJECTION END 2012	INJECTION PUMP END 2012	BOMBA INJECTION END 2012
22	3351	FILTRE A ESSENCE END BITRON	PETROL FILTER END BITRON	FILTRO GASOLINA END BITRON
23	7963	OUÏE DROITE END IPD RACING 2020	RADIATOR SIDE PANEL R END IPD RACING 2020	PLACA RADIADOR I DERE END IPD RACING 2020
24	5585	DURITE ESSENCE Dia int 5 Dia ext 9 X 50 MM	PETROL TUBE Dia int 5 Dia ext 9 X 50 MM	TUBO RESPIRADERO DEPOSITO Dia int 5 Dia ext 9 X 50 MM
25	6683	RONDELLE VERROUILLAGE DZUS END 450 D8	WASHER VEROUILLAGE DZUS END 450 D8	ARANDELLA VEROUILLAGE DZUS END 45 D8
26	0547	VIS TH EP 6 X 30	SCREW TH EP 6 X 30	TORNILLO TH EP 6 X 30
27	6812	VIS SPECIALE M6X8	SPECIAL SCREW M6X8	TORNILLO SPECIAL M6X8
28	3349	SILENT BLOC RESERVOIR END 2012	SILENBLOC TANK END 2012	SILENBLOC DEPOSITO END 2012
29	6499	RESERVOIR ESSENCE END 4T 17	PETROL TANK END 250 4T 17	DEPOSITO END 250 4T 17
30	5201	VIS TH EP SPECIAL M 6 X 16	SPECIAL SCREW TH EP 6 X 16	TORNILLO ESPECIAL TH EP 6 X 16
31	3679	VIS BHC 6 X 20 EMBASE zingue noir	SCREW BHC 6 X 20 BLACK	TORNILLO 6 X20 BHC NEGRO
32	3555	VIS PLASTIQUE DELTA 5 X18	PLASTIC SCREW 5 X18	TORNILLO PLASTIC 5X18
33	2086	ECROU EMBASE M6 EMBASE LISSE DIN 6923	COLLAR HEX NUT FLAT BASIS M6 DIN 6923	TUERCA CON VALONA BASE LISA M6 6923
34	7304	PARE BOUE ARRIERE SE SEF BLEU	BLUE BACK MUDGUARD SE SEF	GUARDABARRO TRA SE SEF AZUL
35	7964	PLAQUE LATERALE DROITE END IPD 2020	SIDE NUMBER PLATE R END IPD 2020	PLACA NO DER AZUL BLANCA END IPD 2020

Plastiques / Plastics / Plásticos



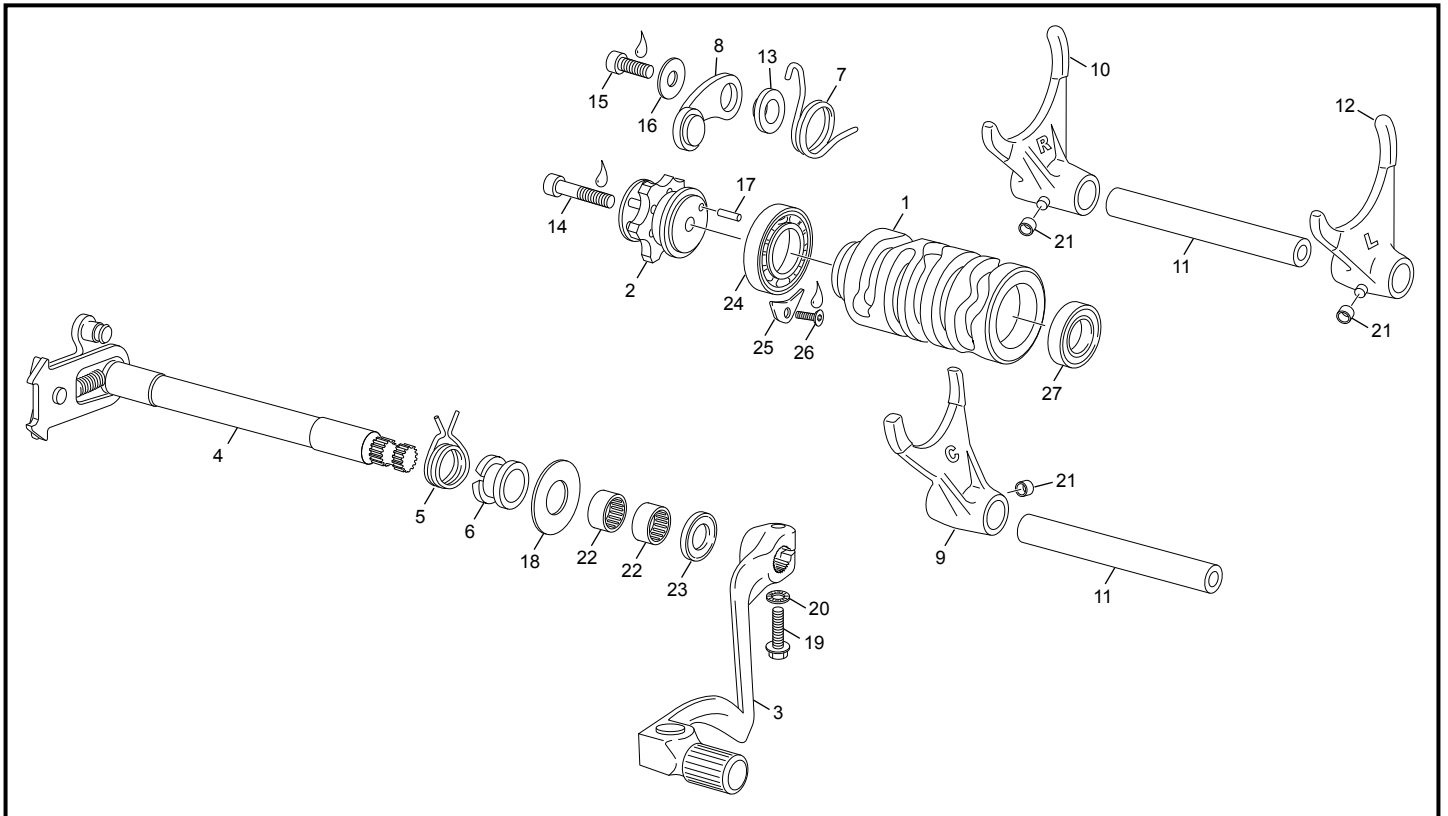
POS.	450 SEF-R RACING	FRANÇAIS	ENGLISH	ESPAÑOL
36	5725	VALVE ANTI RETOUR PASTIQUE	ANTI RETURN VALVE PLASTIK	VALVULA ANTI RETORNO PLASTICO
38	6618	PROTECTEUR CADRE DROIT END 2017	RIGHT FRAME PROTECTOR END 2017	PROTECTOR CUADRO DERECHO END 2017
39	3486	PROTECTEUR CADRE GAUCHE END 2012	LEFT FRAME PROTECTOR END 2012	PROTECTOR CUADRO IZQUIERDO END 2012
40	3880	VIS BHC M5x30 EMBASE ZI	SCREW BHC M5x30 EMBASE ZI	TORNILLO BHC M5x30 EMBASE ZI
41	3793	ECROU M5 WELNUT	ECROU M5 WELNUT	ECROU M5 WELNUT
42	7206	HOUSSE DE SELLE END NOIRE LUNA	SLEEVE SEAT END BLACK LUNA	FUNDA ASIENTO END NEGRA LUNA
43	6512	BAVETTE FEU AR SE SEF 2017	REAR NUMBER PLATE HOLDER SE SEF 2017	PORTAMATRICULAS TRASERO SE SEF 2017
44	3549	SUPPORT PLAQUE IMMATRICULATION END 2012	SUPPORT NUMBER PLATE END 2012	SOPORT PLACA IMMATRICULACION END 2012
45	M317	RONDELLE 6 X12 0407 6	WASHER X 6	ARANDELA 6 DIN 125 A
46	1526	CATADIOPTRE ROUGE AR 50 125 END SM	REAR RED REFLECTORS 50 125 END SM	REFLECTORES ROJO TRAS 50 125 END SM
47	7962	OUIE GAUCHE END IPD RACING 2020	RADIATOR SIDE PANEL L END IPD RACING 2020	PLACA RADIADOR IZQU END IPD FRACING 2020
48	7965	PLAQUE LATERALE GAUCHE END IPD RACING 2020	SIDE NUMBER PLATE L END IPD RACING 2020	PLACA NO IZQ AZUL BLANCA END IPD RACING 2020
49	3554	VIS BHC 6 X 8 EMBASE	SCREW BHC 6 X 8	TORNILLO 6 X8 BHC
50	5200	VIS TH EP SPECIAL M 6 X 20	SPECIAL SCREW TH EP 6 X 20	TORNILLO ESPECIAL TH EP 6 X 20
51	3555	VIS PLASTIQUE DELTA 5 X18	PLASTIC SCREW 5 X18	TORNILLO PLASTIC 5X18
52	6684	PROTECTION THERMIQUE PLAQUE LATERAL	THERMIC PROTECTOR SIDE NUMBER PLATE	PROTECTOR TERMICO PLACA LATERAL
53	8567	BOUCHON FIXATION RESERVOIR	FUEL TANK CAP FIXING	TAPON DEPOSITO

Adhésif / Sticker / Adhesivo



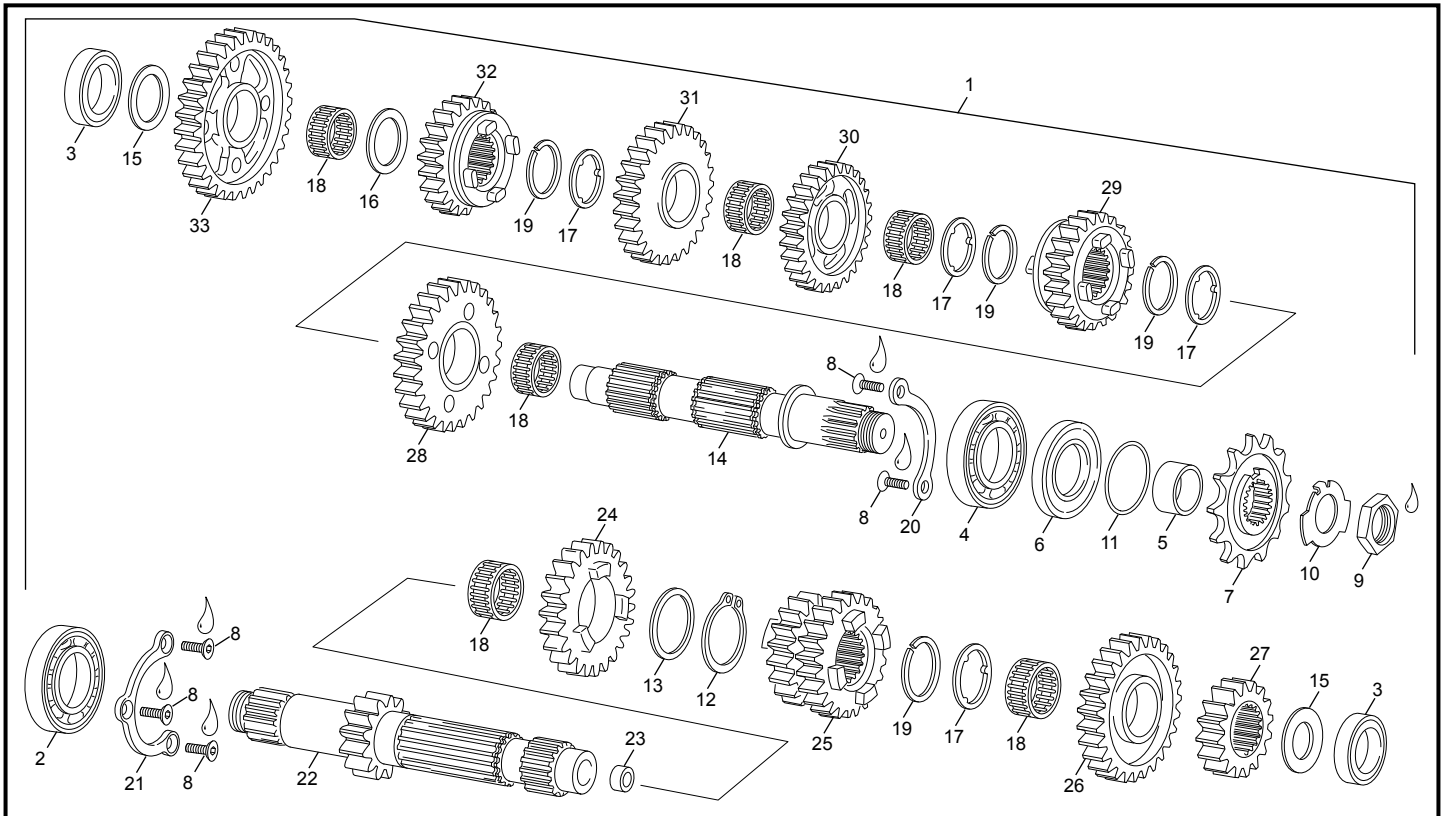
POS.	450 SEF-R RACING	FRANÇAIS	ENGLISH	ESPAÑOL
1	7958	KIT ADHESIF RACING JANTES GB FOURCHE SE SEF '20	MUD GARD RIM HAND FORK RACING STICKER KIT SE SEF '20	GUARDABARRO HORQUILLA LLANTA RACING KIT ADHESIVOS SE SEF '20
2	3735	ADH. TENSION DE CHAINE END 12	ADH. CHAIN TENSIONER END 12	ADH. TENSIÓN DE CADENA END 12
3	7777	ADHESIF PROTECTION FOURCHE PAIRE RACING '19	STICKER FORK KIT RACING '19	JUEGO ADHESIVOS HORQUILLA RACING '19
4	4516	ADHESIF CADRE PROTECTION NUMERO END	STICKER FRAME NUMBER PROTECTION END	ADHESIVO BASTIDOR NUM END
5	5617	ADHESIF PROTECTION PLAQUE CONSTRUCTEUR END	STICKER MANUFACTURER PLATE PROTECTION END	ADHESIVO PLACA CONSTRUCTOR END
6	7959	ADHESIF BRAS PARE MAIN PLAQUES RACING '20	STICKER SWING ARM HAND GARD PLATE KIT RACING '20	JUEGO ADHESIVOS BASCULENTE PARA MANO PLACA RACING '20
7	8214	ADHESIF 450 SEF RACING END '20	450 SEF RACING STICKER END '20	450 SEF RACING ADHESIVOS END '20

Selecteur / Gear selector group / Selector cambio



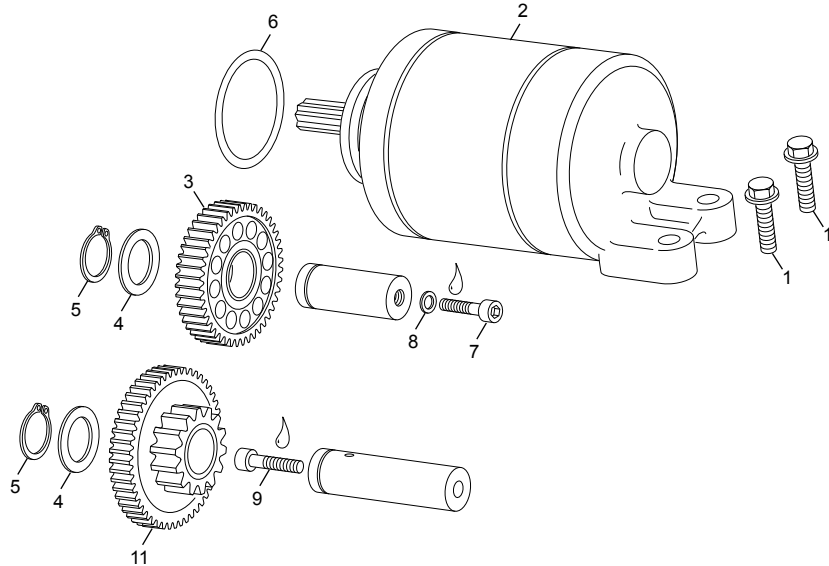
POS.	450 SEF-R RACING	FRANÇAIS	ENGLISH	ESPAÑOL
1	4096	TAMBOUR DE SELECTION 450 / 500 END	SELECTOR DRUM 450 / 500 END	DESMODROMICO SELECTOR 450 / 500 END
2	4885	ETOILE DE SELECTION 450 / 500 END	INDEX SHIM 450 / 500 END	ESTRELLA SELECTOR 450 / 500 END
3	1042	SELECTEUR 250 300 450 SEF CYLINDRIQUE	SHIFT LEVER 250 300 450 SEFD CYLINDER	PALANCA CAMBIO 250 300 450 SEF CYLINDER
4	5664	ARBRE SELECTEUR CPL END 250 2T / 450 / 500 4T V2	SHIFT SHAFT WITH PAWL ASSY END 250 2T / 450 / 500 4T V2	ARBOL SELECTOR END 250 2T / 450 / 500 4T V2
5	0208	RESSORT RAPPEL SELECTEUR END	SELECTOR SPRING END	MUELLE SELECTOR
6	0209	DOUILLE RESSORT SELECTEUR END	SPRING SPACER SHIFT END	CASQUILLO MUELE SELECTOR END
7	0210	RESSORT RAPPEL VERROUILLAGE END	SRING INDEX LEVER END	MUELLE BOOMERANG END
8	5142	DOIGT DE VERROUILLAGE COMPLET 450 / 500 END EVO	INDEX LEVER ASSY 450 / 500 END EVO	PALANCA CIERRE SELECTOR 450 / 500 END EVO
9	6727	FOURCHETTE C END 450	FORK C END	HORQUILLA C END
10	6729	FOURCHETTE R END 450	FORK R END	HORQUILLA R END
11	0220	AXE DE FOURCHETTE END	FORK PIN END	EJE HORQUILLA END
12	6728	FOURCHETTE L END 450	FORK L END 450	HORQUILLA L END 450
13	0215	ENTRETOISE DE VERROUILLAGE 450 END	SPACER VERROUILLAGE 450 END	CASQUILLO GUIA LEVA 450 END
14	1031	VIS CHC M6 X 35PRE IMPREGNEE FAIBLE	SCREW CHC M6 X 35 PRE IMPREGNEE FAIBLE	TORNILLO CHC M6 X 35 PRE IMPREGNEE FAIBLE
15	1024	VIS CHC TETE BASSE M6 X 16	SCREW CHC M6 X 16 DIN	TORNILLO CHC CABEZA REBAJADA M6 X 16
16	M321	RONDELLE 6 X 18 X 1.5 0411	WASHER 6 X 18	ARANDELA 6 X 18 DIN 9021
17	0101	AIGUILLE NRB X 3 X 11.8	NEEDL X 3 X 11.8	AGUJAS X 3 X 11.8
18	0529	RONDELLE 14 X 28 X 1	WASHER 14 X 28 X 1	ARANDELLA 14 X 28 X 1
19	0546	VIS TH EP 6 X 20	SREW TH EP 6 X 20	TORNILLO TH EP 6 X 20
20	0746	RONDELLE AET 6	WASHER AET6	ARANDELA AET6
21	1718	ROULEAU FOUCHETTE 450 END	ROLLER FORK 450 END	ANILLO HORQUILLA 450 END
22	0527	DOUILLE AIGUILLE HK 1412	NEEDLE BEARING HK1412	CASQUILLO AGUJAS HK14 12
23	0660	JOINT LEVRE DOUBLE 14X24X6 NITRILE L METAL	SEAL 14X24X6 NITRILE DOUBLE L METAL	RETEN 14X24X6 NITRILE DOUBLE L METAL
24	0196	ROULEMENT TAMBOUR 61805	BEARING BALL 61805	COJINETE 61805
25	3942	PLAQUE ROULEMENT END 455	BEARING PLATE END 455	BLOQUEADOR RODAMIENTO END 455
26	0872	VIS FHC M5 X 10 DIN 7991 PRE IMPREGNEE FAIBLE	SCREW FHC M5 X 10 250 END PRE IMPREGNEE FAIBLE	TORNILLO FHC M5 X10 250 END PRE IMPREGNEE FAIBLE
27	3807	ROULEMENT 6001-2RSL/LHT23	BEARING 6001 2RS	COJINETE 6001 2RS

Boîte a vitesses / Gear set / Cambio



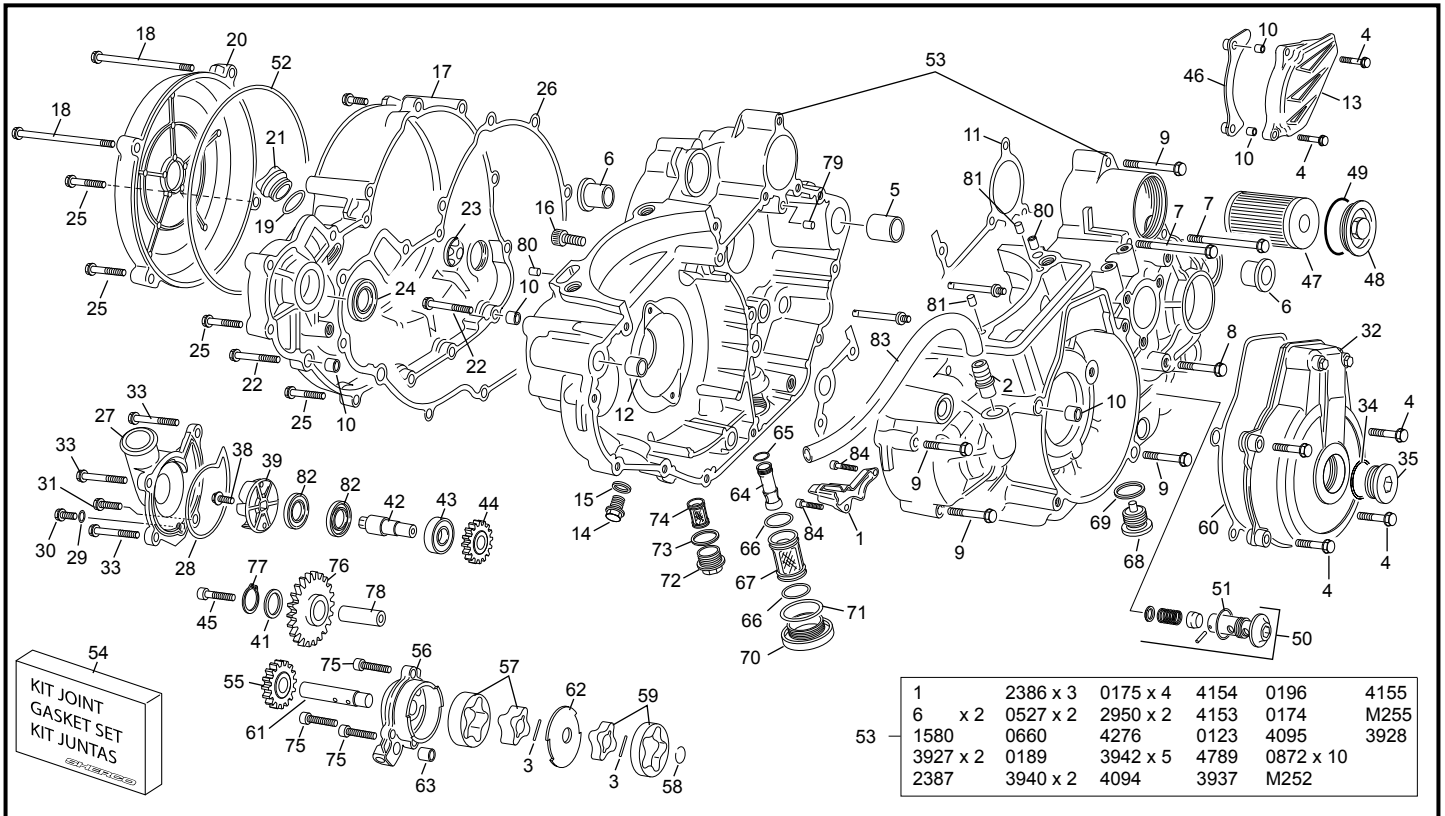
POS.	450 SEF-R RACING	FRANÇAIS	ENGLISH	ESPAÑOL
1	3760	BOITE DE VITESSE CLP 450 / 500 END	COMPLET GEAR SET 450 / 500 END	CTO. CAMBIO 450 / 500 END
2	0174	ROULEMENT BILLE 6205 C3	BEARING BALL 6205 C3	COJINETE 6205 C3
3	0175	ROULEMENT BILLE 6004.2RSH/C3	BERING BALL 6004.2RSH/C3	COJINETE 6004.2RSH/C3
4	4276	ROULEMENT BILLE 6305	BEARING BALL 6305	COJINETE 6305
5	4093	ENTRETOISE PIGNON DE CHAÎNE END 455	SPACER CHAIN PINION END 454	CASQUILLO PINION CADENA END 455
6	0189	JOINT LEVRE DOUBLE 32X42X7	SEAL DOUBLE LIP 32X42X7	RETEN 32X42X7
7	0192	PIGNON DE CHAÎNE 14D END	CHAIN PIGON 14T END	PIGNON CADENA 14D END
8	0872	VIS FHC M5 X 10 DIN 7991 PRE IMPREGNEE FAIBLE	SCREW FHC M5 X 10 250 END PRE IMPREGNEE FAIBLE	TORNILLO FHC M5 X10 250 END PRE IMPREGNEE FAIBLE
9	0051	ECROU SPECIAL M20 X 1 END 450	SPECIAL SREW M20 X 1 END	TUERCA ESPECIAL M20 X 1 END
10	4156	RONDELLE PIGNON SORTIE DE BOITE 450 END	WASHER CHAIN PINION 450 END	ARANDELA PINON CADENA 450 END
11	4143	JOINT TORIQUE 25x2	O RING 25x2	O RING 25x2
12	0705	CIRCLIP A 24 DIN 471	CIRCLIP A 24 DIN 471	CIRCLIP A 24 DIN 471
13	5210	RONDELLE 25 X 31 X 1.4	WASHER 25 X 31 X 1.4	ARANDELLA 25 X 31 X 1.4
14	5224	ARBRE SECONDAIRE 250 / 300 2T- 450 / 500 4T END	SECONDARY SHAFT 250 / 300 2T- 450 / 500 4T END	EJE SECUNDARIO 250 / 300 2T- 450 / 500 4T END
15	5215	RONDELLE 20.1X33X1	WASHER 20.1X33X1	ARANDELLA 20.1X33X1
16	5216	RONDELLE 22.1X33X1	WASHER 22.1X33X1	ARANDELLA 22.1X33X1
17	5212	RONDELLE CRENEAU 25.2 X31	WASHER 25.2 X31	ARANDELLA ESTRIADA EJE 25.2 X31
18	0685	DOUILLE AIGUILLE K22X26X13 TN OUVERTE	NEEDLE BEARING K22X26X13 TN OPEN	CASQUILLO DE AGUJAS K22X26X13 TN ABIERTA
19	4579	CIRCLIP SW 24	CIRCLIP SW 24	CIRCLIP SW 24
20	4094	PLAQUE MAINTIEN ROULEMENT END 455 / 254	BEARING GIDE END 455 / 254	PLACA SUJETACION RODAMIENTO END 455 / 254
21	4095	TOLE SUPPORT ROULEMENT 455	STEEL SUPPORT BEARING 455	PLANCHA SOPORTE COJINETE 455
22	4849	ARBRE PRIMAIRE ET PIGNON DE 1ERE 450 / 500 SEF END	CLUTCH SHAFT 450 / 500 SEF END	EJE PRIMARIO 450 / 500 SEF END
23	5356	BAGUE BRONZE END 254-455	SPACER BRONZE END 254-455	CASQUILLO BRONZE END 254-455
24	4852	PIGNON Z23 5 EME	GEAR Z23 5 EME	PINON Z23 5 EME
25	4851	PIGNON BALADEUR DE 3-4 EME Z 19/21	GEAR PINION 3 EME Z 19/21	PINON DESPLAZABLE 3-4 Z 19/21
26	4850	PIGNON BALADEUR DE 6 EME Z25	FREE PINION 6 EME Z25	PINON LIBRE 6 Z25
27	4853	PIGNON FIXE DE 2 EME Z16	GEAR PINION 2EME Z16	PINON DE 2a SP Z16
28	4858	ROUE LIBRE DE 2EME Z29	FREE PINION 2 EME Z29	CORONA DE 2a SS Z29
29	5221	PIGNON 6 Z21 250/300 2T END	GEAR 6 Z21 250/300 2T END	PINON 6 Z21 250/300 2T END
30	4856	ROUE BALADEUSE DE 4 EME Z24	FREE PINION 4 EME Z24	CORONA DESPLAZABLE DE 4a Z24
31	4855	ROUE LIBRE DE 3 EME Z27	FREE PINION 3 EME Z27	CORONA DE 3a SS Z27
32	4857	PIGNON BALADEUR DE 5 EME Z22	FREE PINION 5 EME Z22	PINON LIBRE 5a Z22
33	4859	ROUE LIBRE DE 1ERE Z32	FREE PINION 1ER Z32	CORONA DE 1a Z32

Démarrreur / Starter Motor / Motor Starter



POS.	450 SEF-R RACING	FRANÇAIS	ENGLISH	ESPAÑOL
1	0970	VIS TH EP 6 X 25	SCREW TH EP M6 X 25	TORNILLO TH EP M6 X 25
2	0121	DEMARREUR ELECTRIQUE END 450 510	ELECTRIC START ENGIN END	MOTOR ELECTRIC STARTER END
3	7978	ROUE INTERMEDIAIRE DEMARREUR END LIGHT	MIDDL PIGNON ELECTRIC START END LIGHT	PIGNON INTER POST MARCHA ELECTRICA END LIGHT
4	0130	RONDELLE 14X20X1	WASHER 14X20X1	ARANDELA 14X20X1
5	0131	SEGMENT D'ARRET 14X1 (EXTERIEUR) E14	SEGER 14X1 END	SEGER 14X1 END
6	0717	JOINT TORIQUE DEMARREUR 25X3	O RING ELECTRIC START 25X3	JUNTA TORICA ARRANQUE 25X3
7	M252	VIS CHC 6 X 20 0084 Zn Ni Tr PRE IMPREGNEE MOYEN	SCREW CHC 6 X 20 ZN NI TR PRE IMPREGNEE MOYEN	TORNILLO 6 X 20 DIN 912 Zn Ni Tr PRE IMPREGNEE MOYEN
8	4155	RONDELLE CUIVRE 6.5 X 9.5 X 1 DIN 7603	WASHER COPPER 6.5 X 9.5 X 1 DIN 7603	ARANDELA COBRE 6.5 X 9.5 X 1 DIN 7603
9	M255	VIS CHC 6 X 25	SCREW CHC 6 X 25	TORNILLO CHC 6 X 25 DIN 912
11	1997	LIMITEUR DE COUPLE 450 END	TORQUE LIMITER 450/510 END	LIMITADOR DE PAR 450/510 END

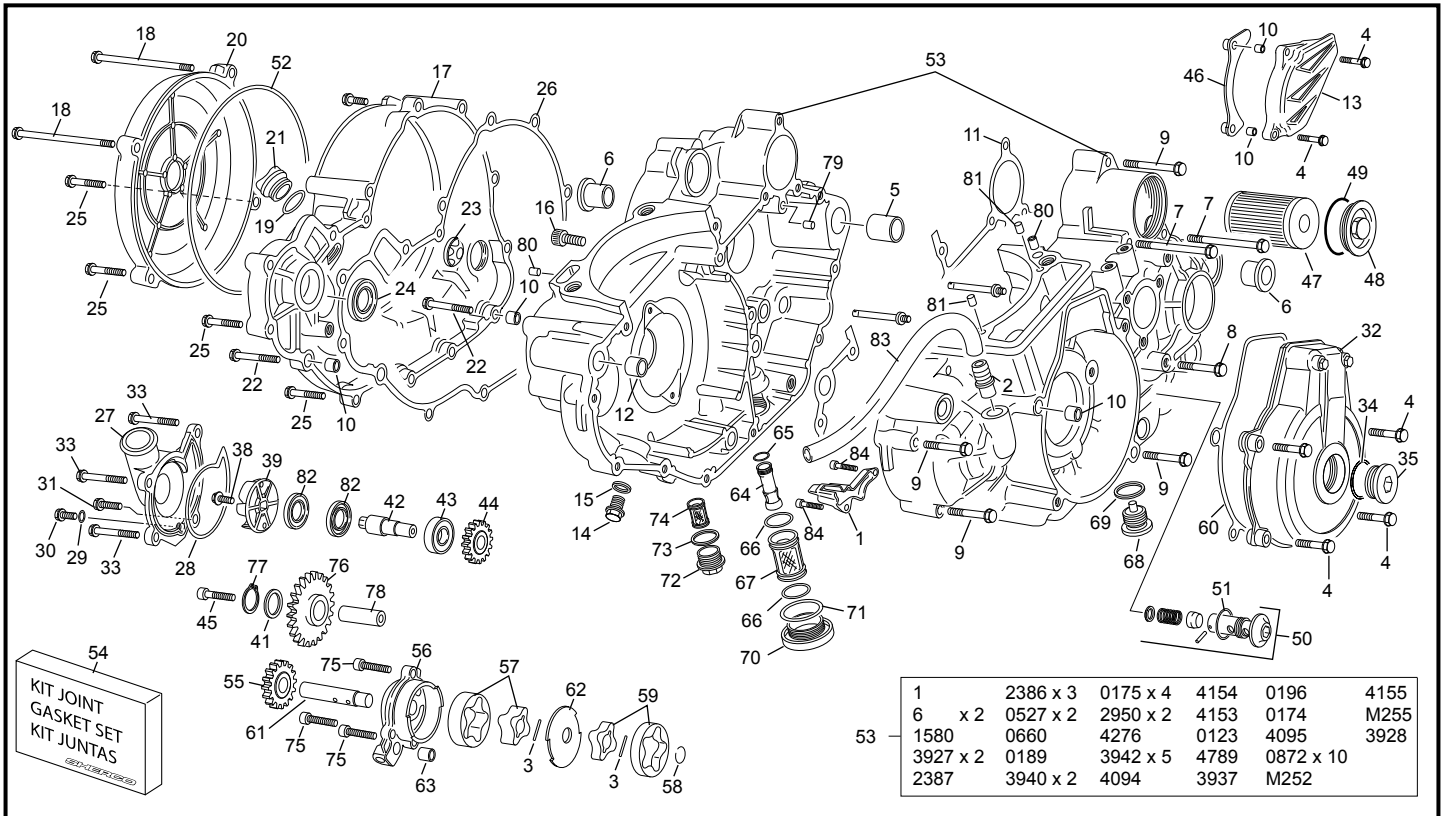
Groupe carters / Crankcase assembly / Grupo carters



POS.	450 SEF-R RACING	FRAÇAIS	ENGLISH	ESPAÑOL
1	6793	CARTER RECUPERATEUR HUILE 450	OIL COVER 450	CARTER DE ACEITE 450
2	1105	RENIFLARD CARTER CENTRAL END 450 / 500	BREATHER PIPE 450 / 500	BOQUILLA VENTILACION 450 / 500
3	0110	AIGUILLE 3X15.8	NEEDL 3X15.8	AGUJA 3X15.8
4	0548	VIS TH EP 6 X 35	SCREW TH EP 6 X 35	TORNILLO TH EP 6 X35
5	0490	DOUILLE CENT CARTERS CENT POSTERIEURE 21.5X17.5X18	SPACER CRANK CENT POST 21.5X17.5X18	CASQUILLO CENTRADO CARTER POST 21.5X17.5X18
6	1106	BAGUE CARTER 450 510	COLLAR BUSH	MANGUITO CARTER 450 510
7	0552	VIS TH EP 6 X 75	SREW TH EP 6 X75	TORNILLO TH EP 6 X 75
8	0550	VIS TH EP 6 X 55	SREW TH EP 6 X 55	TORNILLO TH EP 6 X 55
9	0549	VIS TH EP 6 X 45	SREW TH EP 6 X 45	TORNILLO TH EP 6 X 45
10	0008	DOUILLES CENTRAGE 8X6X11	SPACER CENTRAGE 8X6X11	CENTRADOR 8X6X11
11	2951	JOINT CARTER CENTRAUX 450 / 500 FOAMET 0.6	CRANKCASE GASKET END 450 / 500 FOAMET 0.6	JUNTA CARTER CENTRAL END 450 / 500 FOAMET 0.6
12	0006	DOUILLES CENT CARTERS CENT ANTERIEUR 14X11X16	SPACER CRANK CASE FRONT 14X11X16	CASQUILLO CARTER CENTAL DEL 14X11X16
13	0538	CARTER PIGNON SORTIE DE BOITE 450 / 500 END	PINION CHAIN COVER 450 / 500 END	CARTER PROTECTOR PINION CADENA 450 / 500 END
14	0855	BOUCHON TSC/FOM 10 X 1 VILO 250 END	PLUG TSC/FOM 10 X 1 250 END WITHOUT EXTERNAL WASHER	TAPON TSC/FOM 10 X 1 250 END
15	1661	RONDELLE ALU 10 X 14 X 1.5 END 250	WASHER ALU 10 X 14 X 1.5 END 250	ARENDELLA ALU 10 X 14 X 1.5 END 250
16	M260	VIS CHC 8 X 12 0084	SCREW CHC 8 X 12	TORNILLO 8 X 12 ALLEN
17	3530	CARTER LATERAL EMBRAYAGE 455	CLUTCH COVER 455	CARTER EMBRAGE 455
18	4932	VIS TH EP 6 X 80	SREW TH EP 6 X 80	TORNILLO TH EP 6 X 80
19	0606	JOINT TORIQUE 19 X3	O RING 19 X 3	TORICA 19 X 3
20	8189	COUVERCLE EMBRAYAGE TR/END 4.5 MANGANESE	CLUTCH COVER TR/END 4.5 MANGANESE	TAPETA EMBRAGUE TR/END 4.5 MANGANESE
21	0509	BOUCHON 24 HUILE 450 / 500 END	CAP 24 450 / 500 END	TAPON 24 450 / 500 END
22	0547	VIS TH EP 6 X 30	SCREW TH EP 6 X 30	TORNILLO TH EP 6 X 30
23	0029	JOYANT NIVEAU HUILE (0X25X7,2)	OIL LEVEL GAUGE (0X25X7,2)	VISOR NIVEL ACEITE (0X25X7,2)
24	0660	JOINT LEVRE DOUBLE 14X24X6 NITRILE L.METAL	SEAL 14X24X6 NITRILE DOUBLE L.METAL	RETEN 14X24X6 NITRILE DOUBLE L.METAL
25	0970	VIS TH EP 6 X 25	SCREW TH EP M6 X 25	TORNILLO TH EP M6 X 25
26	4097	JOINT CARTER EMBRAYAGE 455 END	GASKET CLUTCH COVER 455 END	JUNTA CARTER EMBRAGE 455 END
27	3933	COUVERCLE DE POMPE A EAU 450 / 500 END	WATER PUMP COVER END 450 / 500 END	TAPA BOMBA AGUA 450 / 500 END
28	3934	JOINT CARTER POMPE A EAU 455 END	WATER SEAL RING 455 END COVER	JUNTA DE BOMBA AGUA 455 END
29	0601	RONDELLE ALU 6.5 X 11 X 1 END 450	WASHER ALU 6.5 X 11 X 1 END 450	ARENDELLA ALU 6.5 X 11 X 1 END 450
30	0592	VIS TH EP 6 X 8	SCREW TH EP 6 X 8	TORNILLO TH EP 6 X 8
31	0656	VIS TH EP 6 X 16	SREW TH EP 6 X 16	TORNILLO TH EP 6 X 16
32	8107	CARTER D ALLUMAGE 455 END MANGANESE	IGNITION COVER 455 END MANGANESE	CARTER INCENDIDO 455 END MANGANESE
33	0548	VIS TH EP 6 X 35	SCREW TH EP 6 X 35	TORNILLO TH EP 6 X35
34	M644	JOINT TORIQUE 23 X 2.5 BOUCHON FILTRE HUILE TRIAL	O-RING 23 X 2.5 CAP OIL FILTER TRIAL	JUNTA TORICA 23 X 2 TAPON FILTRO ACIETE TRIAL

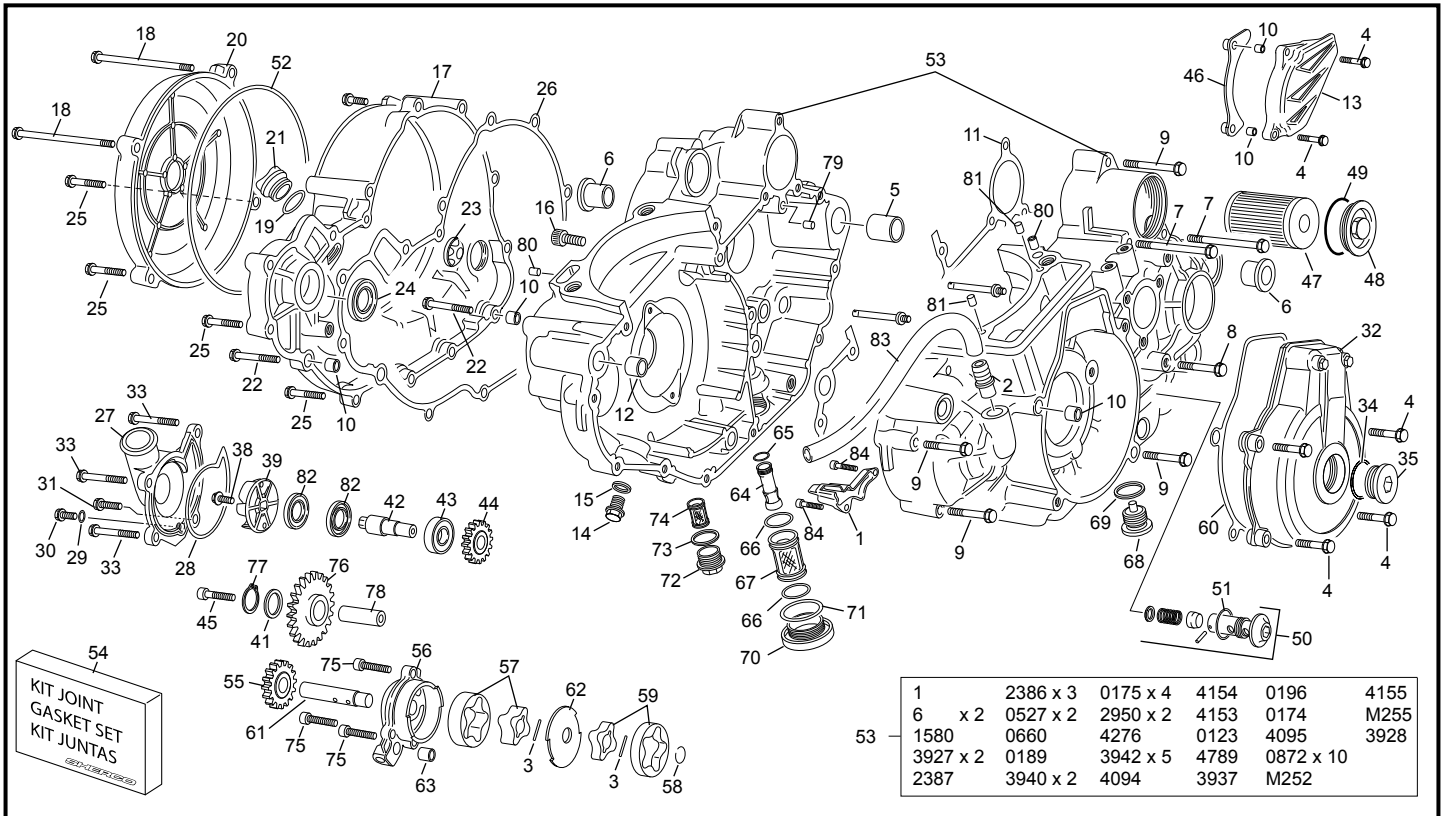
*Sherco se réserve les droits de modification des références, merci de contrôler sur le portail Sherconetwork avant toute commande. - *Sherco reserves the right to make change on the references, please check on your Sherconetwork portal before ordering.
 *Sherco se reserva el derecho para hacer modificaciones sobre las referencias. Por favor, verifica en el Sherconetwork antes de hacer un pedido.

Groupe carters / Crankcase assembly / Grupo carters



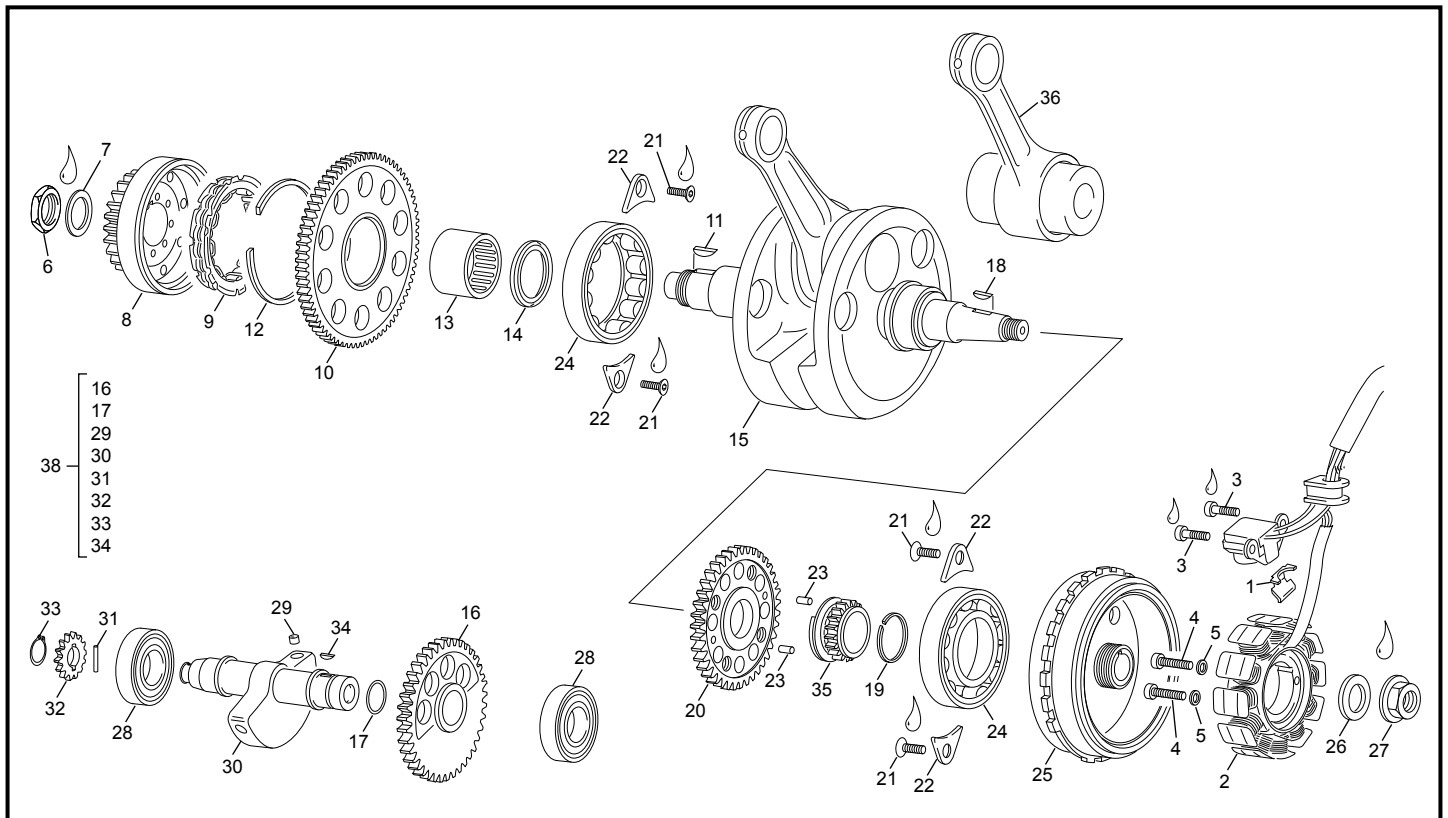
POS.	450 SEF-R RACING	FRANÇAIS	ENGLISH	ESPAÑOL
35	6411	BOUCHON CARTER SEF M27X100 EVO	MAGNETIC SEF M27X100 EVO	TAPON TAPA SEF M27X100 EVO
38	0655	VIS TH EP 5 X 10	SREW TH EP 5 X 10	TORNILLO TH EP 5 X 10
39	4828	TURBINE POMPE EAU 455 END V2	WATER PUMP TURBINE 455 END V2	TURBINA BOMBA AGUA 455 END V2
41	0130	RONDELLE 14X20X1	WASHER 14X20X1	ARANDELA 14X20X1
42	8010	AXE POMPE A EAU 450 SEF V 2	WATER PUMP AXLE 450 SEF V 2	EJE BOMBA AGUA 450 SEF V 2
43	0939	ROULEMENT 16100 250 END	BALL BEARING 16100 250 END	COJINETE 16100 250 END
44	3759	PIGNON POMPE A EAU 450 SEF	WATER PUMP GEAR 450 SEF	PINON POMPA AGUA 450 SEF
45	4176	VIS CHC 6 X 75 DIN 912 8.8 PRE IMPREGNEE MOYEN	SCREW CHC 6 X 75 DIN 912 8.8 PRE IMPREGNEE MOYEN	TORNILLO CHC 6 X 75 DIN 912 8.8 PRE IMPREGNEE MOYEN
46	0520	PROTECTEUR PIGNON CHAINE END 450	PIGNON CHAIN PROTECTOR END 450	PROTECTOR PINION CADENA END 450
47	0116	FILTRE A HUILE PAPIER END	OIL FILTER END	FILTRO ACIETE END
48	0117	COUVERCLE FILTRE HUILE END	OIL FILTER CUP END	TAPON FILTRO ACIETE END
49	0118	JOINT TORIQUE 41 X 1.78	O RING 41 X 1.78	TORICA 41 X 1.78
50	4037	CLAPET DE DECHARGE HUILE COMP END 455	DEPRESSOR BOODY OIL COMP END 455	VALVULA DE DESCARGA ACEITE COMPLETA END 455
51	0455	JOINT TORIQUE 17.17 X 1.78	O RING 17.17 X 1.78	TORICA 17.17 X 1.78
52	3141	JOINT TORIQUE 160X1.5	O-RING 160X1.5	JUNTA TORICA 160X1.5
53	8105	GROUPE CARTERS CENTRAUX PREMONTES 450 / 500 SEF SA	PRE ASSEMBLY CRANCKASE SET 450 / 500 SEF SAV	JUEGO CARTERS CENTRALES PRE MONTAJE 450 / 500 SEF SAV
54	4862	KIT JOINT BAS MOTEUR 450 SEF	KIT GASKET BOTTOM ENGINE 450 SEF	KIT JUNTA MOTOR PARTE INFERIOR 450 SEF
56	4035	COUVERCLE POMPE HUILE ALUMINIUM 450 / 500 END	OIL PUMP COVER 450 / 500 END	TAPA BOMBA ACIETE 450 / 500 END
57	3870	POMPE A HUILE COMPLETE 12MM 450 / 500 END	OIL PUMP SET 12MM 450 / 500 END	BOMBA DE ACEITE COMPLETA 12MM 450 / 500 END
58	0522	CICLIP WR 11 END 450	CICLIP WR 11 END 450	CICLIP WR 11 END 450
59	3947	POMPE A HUILE COMPLETE 8 MM 455 END	OIL PUMP SET 8 MM 455 END	BOMBA DE ACEITE 8 MM 455 END
60	4098	JOINT CARTER ALLUMAGE 455 END	IGNITION COVER GASKET 455 END	JUNTA CARTER ENCENDIDO 455 END
61	4036	ARBRE POMPE HUILE 455 END	OIL PUMP SHAFT 455 END	EJE BOMBA ACIETE 455 END
62	5002	CLOISON ACIER POMPE HUILE 450 / 500 END	SPACER OIL PUMP 450 / 500 END	PARET BOMBA ACIETE 450 / 500 END
63	0504	DOUILLE CENTRAGE 9X7X8	BUSH 9X7X8	CENTRADOR 9X7X8
64	4042	TUBE ASPIRATION PREFILTRE 455 END	OIL SUCTION TUBE 455 END	TUBO ENTRADA ACEITE 455 END
65	4038	JOINT TORIQUE 11 X 1.5 FPM 85	O RING 11 X 1.5 FPM 85	TORICA 11X1.5 FPM 85
66	4039	JOINT TORIQUE 23 X 1.5 FPM 85	O RING 23 X 1.5 FPM 85	TORICA 23 X1.5 FPM 85
67	4040	CREPINE 455 END	CREPINE 455 END	CREPINE 455 END
68	4055	BOUCHON MAGNETIQUE M16 X 1.5 VIDANGE END 455/254	CAP M 16 END 455	TAPON M 16 END 455
69	3823	JOINT ALUMINIUM 16X22X 1.5 254/ 455 END	GASKET ALUMINIUM 16X22X 1.5 254/455 END	JUNTA ALUMINIUM 16X22X 1.5 254/455 END
70	4041	BOUCHON M32 PREFILTRE 450 / 500 END	OIL PLUG SCREW 450 / 500 END	TAPON 32 END 450 / 500 END
71	4016	JOINT TORIQUE 32 X 2.5 FPM 85	O RING 32 X 2.5 FPM 85 R	TORICA 32 X 2.5 FPM 85
72	0507	BOUCHON 18 PREFILTRE END 450	CAP 18 END 450	TAPON 18 END 450

Groupe carters / Crankcase assembly / Grupo carters



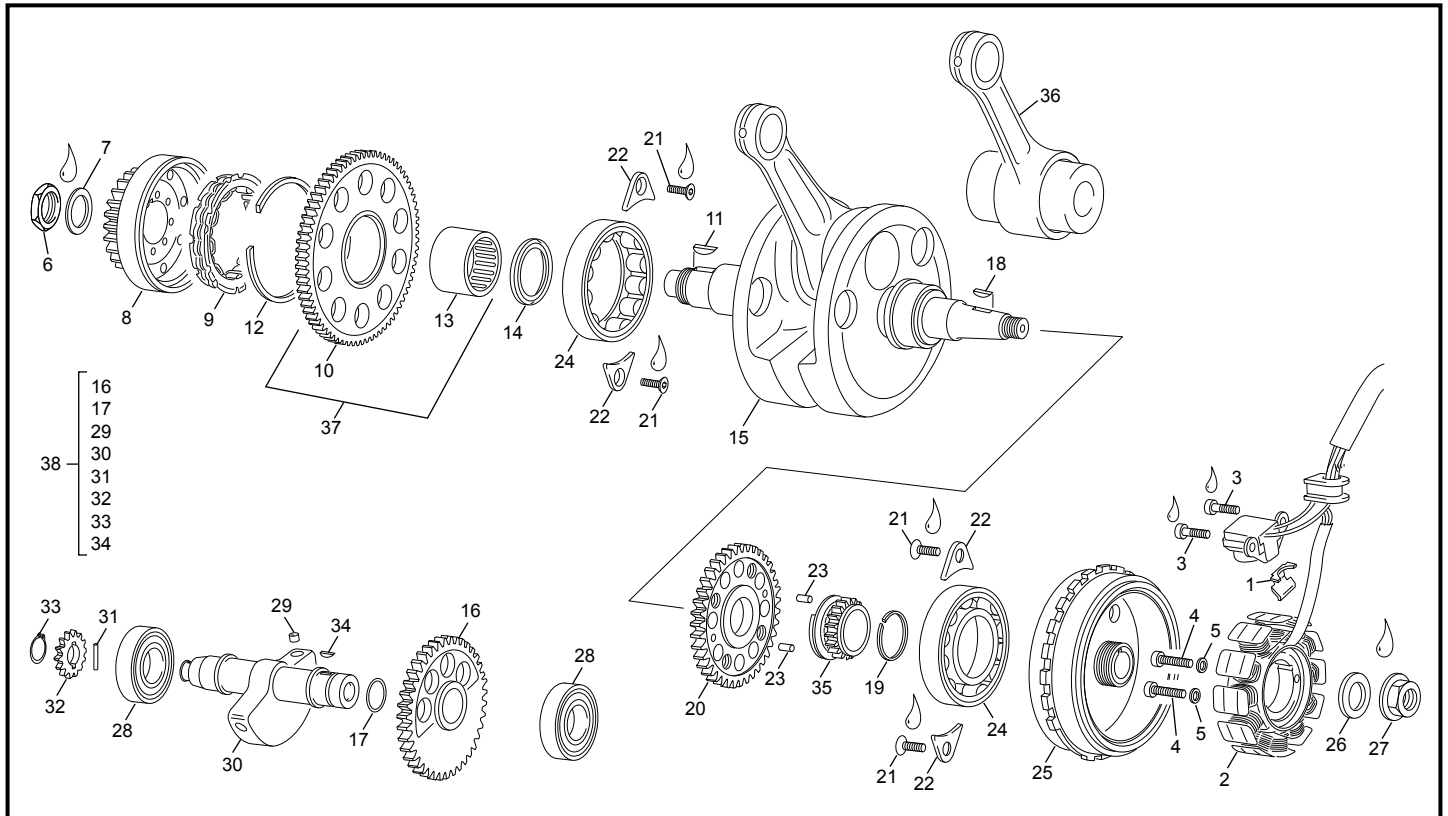
POS.	450 SEF-R RACING	FRANÇAIS	ENGLISH	ESPAÑOL
73	0583	RONDELLE CUIVRE DIAM 18 X 22 X 1.5	WASHER CU DIAM 18 X 22 X 1.5	ARANDELA Cu DIAM 18 X22 X 1.5
74	0508	PREFILTRE END 450	PREFILTER END 450	PREFILTRO END 450
75	M252	VIS CHC 6 X 20 0084 Zn Ni Tr PRE IMPREGNEE MOYEN	SCREW CHC 6 X 20 ZN NI TR PRE IMPREGNEE MOYEN	TORNILLO 6 X 20 DIN 912 Zn Ni Tr PRE IMPREGNEE MOYEN
76	0467	ROUE INTERMEDIAIRE POMPE HUILE 22D END	INTERMEDIAIRE PIGNON OIL PUMP 22T END	CORONA INTERMEDIO BOMBA ACIETE 22T END
77	0131	SEGMENT D'ARRET 14X1 (EXTERIEUR) E14	SEGER 14X1 END	SEGER 14X1 END
78	0123	AXE PIGNON INT DIAM 14 END	PIGNON MEDDL PIN DIAM 14 END	EJE PIÑON INT DIAM 14 END
79	3928	GICLEUR HUILE D1.1 END 450 SEF	OIL CONTROL JET D 1.1 END 450 SEF	CHICLE ACEITE D1.1 END 450 SEF
80	3927	GICLEUR HUILE D1 450 / 500 END	OIL CONTROL JET D 1 450 / 500 END	CHICLE ACEITE D1 450 / 500 END
81	3946	AIGUILLE 4 X 11.8 BOUTS PLATS	NEEDLE ROLLER 4 X 11.8	AGUJA 4 X 11.8
82	6071	JOINT LEVRE 12 X 24 X 4.5 BAL PRESSION	SEAL RING 12 X 24 X 4.5 BAL PRESSION	RETEN 12 X 24 X 4.5 BAL PRESSION
83	6133	DURITE RENIFLEUR BALANCIER POLYO END L0.985	OIL BREATHING HOUSSEL BALANCE SHAFT L. 0.985	TUBO VENTILACION POLYO L.0985
84	2990	VIS CHC M5x12 ZI PRE IMPREGNEE FAIBLE	SCREW CHC M5x12 ZI	TORILLO CHC M5x12 ZI

Villebrequin assemble / Crankshaft assembly / Cigüeñal biela

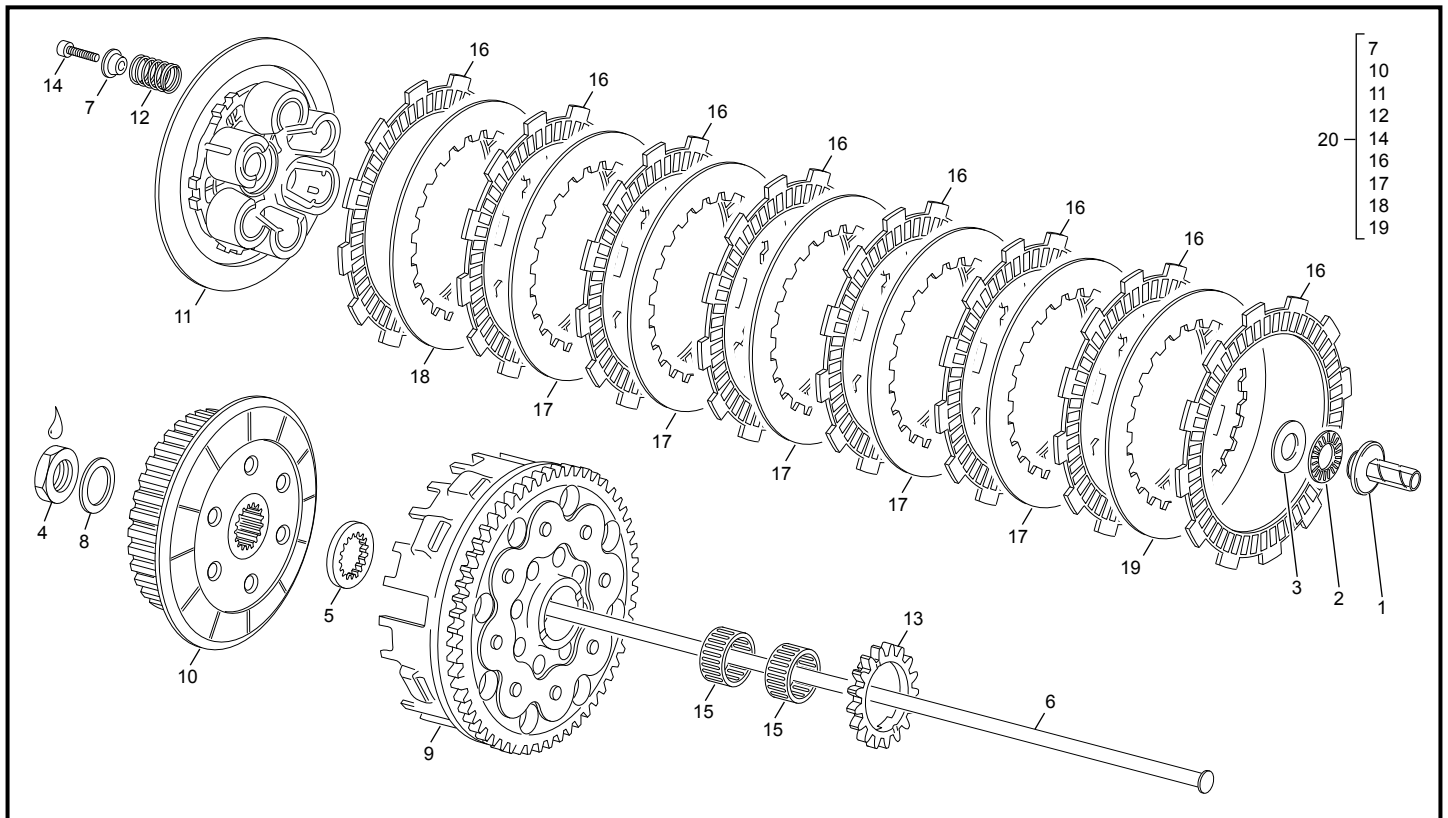


POS.	450 SEF-R RACING	FRANÇAIS	ENGLISH	ESPAÑOL
1	3932	PLAQUE MAINTIEN FAISCEAU ALLUMAGE 455 END	FIXATION HARNESS PLATE 455 END	PLACA FIJACION HAZ 455 END
2	4318	ALLUMAGE ROTOR ET STATOR 455 / 500 END	IGNITION ROTOR AND STATOR 455 / 500 END	ENCENDIDO 455 / 500 END
3	3566	VIS CHC M5X10 DIN 912 8.8 ZB	SCREW CHC M5X10 DIN 912 8.8 ZB	TORNILLO CHC M5X10 DIN 912 8.8 ZB
4	1029	VIS CHC M5 X 20 PRE IMPREGNEE MOYEN	SCREW M5 X 20	TORNILLO M5 X 20
5	4751	RONDELLE SCHNORR M5 ZI	RONDELLE SCHNORR M5 ZI	RONDELLE SCHNORR M5 ZI
6	0051	ECROU SPECIAL M20 X 1 END 450	SPECIAL SREW M20 X 1 END	TUERCA ESPECIAL M20 X 1 END
7	0050	RONDELLE CONIQUE 20/21/32/1.2 BN1225	WASHER CONIQUE 20/21/32/1.2 BN1225	ARANDELA CONICA 20/21/32/1.2 BN1225
8	7976	CLOCHE DE ROUE LIBRE TSUBAKI END 455 LIGHT	FREEWHEEL HOLDER TSUBAKI END 455 LIGHT	CAMPANA RUEDA LIBRE TSUBAKI END 455 LIGHT
9	3925	ROUE LIBRE MCD70816R 250 END EVO	FREE WHEEL MCD70816R 250 END EVO	CORONA LIBRE MCD70816R 250 END EVO
10	7975	PIGNON ROUE LIBRE TSUBAKI 74D END 450 SEF LIGHT	ELECTRIC STARTERTSUBAKI FREWHEEL 74D 450 SEF LIGHT	PIGNON POSTTSUBAKI MARCHA 74D END 450 SEF LIGHT
11	0046	CLAVETTE DEMI LUNE 5X6.5X15 ACIER TRAITE 85/110KG	WOODURFF 5X6.5X15 DIN 6888	CHAVETA MEDIA LUNA 5X6.5X15 DIN 6888
12	8102	CIRCLIP SB DM 62	CIRCLIP SB DM 62	CIRCLIP SB DM 62
13	7999	ROULEMENT AIGUILLE HK2520	NEEDLE BEARING HK 2520	COJINETE AGUJAS HK 2520
14	8238	JOINT LEVRE 25X40X5	RADIAL SEAL 25X40X5	RETEN 25X40X5
15	7997	VILEBREQUIN COMPLET 455 SEF D19 EVO	CRANCK SHAFT ASSY 455 SEF D19 EVO	CIGUEÑAL 455 SEF D19 EVO
16	3752	PIGNON BALANCIER END 455	PIGNON BALANCER END 455	PIGNON BALANCIN END 455
17	0455	JOINT TORIQUE 17.17 X 1.78	O RING 17.17 X 1.78	TORICA 17.17 X 1.78
18	0055	CLAVETTE DEMI LUNE 3X5 13 DIN 6888	WOODURFF 3X5 13 DIN 6888	CHAVETA MEDIA LUNA 3X5 X13 DIN 6888
19	4579	CIRCLIP SW 24	CIRCLIP SW 24	CIRCLIP SW 24
20	7977	PIGNON VILEBREQUIN END LIGHT	PIGNON CRANKSHAFT END LIGHT	PIGNON CIGONIAL END LIGHT
21	0872	VIS FHC M5 X 10 DIN 7991 PRE IMPREGNEE FAIBLE	SCREW FHC M5 X 10 250 END PRE IMPREGNEE FAIBLE	TORNILLO FHC M5 X10 250 END PRE IMPREGNEE FAIBLE
22	3942	PLAQUE ROULEMENT END 455	BEARING PLATE END 455	BLOQUEADOR RODAMIENTO END 455
23	4185	AIGUILLE 6 X 12 455 END	NEEDLE 6 X 12 455 END	AGUJA 6 X 12 455 END
24	2950	ROULEMENT ROULEAUX NJ206 EPC/C3 HVA624	ROLLER BEARING NJ206EPC/C3 HVA624	COJINETE ROLO NJ206 EPC/C3 HVA624
25	4318	ALLUMAGE ROTOR ET STATOR 455 / 500 END	IGNITION ROTOR AND STATOR 455 / 500 END	ENCENDIDO 455 / 500 END
26	1963	RONDELLE CONIQUE 12.2 X 23 X 1	WASHER CONIQUE 12.2 X 23 X 1	ARANDELA CONIQUE 12.2 X 23 X 1
27	1405	ECROU SPECIAL M12 X 1 250/450	NUT M12 X 1 250/450	TUERCA M12 X 1 250/450
28	0175	ROULEMENT BILLE 6004.2RSH/C3	BERING BALL 6004.2RSH/C3	COJINETE 6004.2RSH/C3
29	0867	RIVET BOUCHON 7 MM	OIL PLUG 7 MM	REMACHE 7MM
30	7982	BALANCIER EQUILIBRAGE END 455 EVO 2	BALANCIN SHAFT PIGNON END 455 EVO 2	EJE EQUILIBRA END 455 EVO 2
31	0110	AIGUILLE 3X15.8	NEEDL 3X15.8	AGUJA 3X15.8
32	3758	PIGNON ENTRAINEMENT POMPE A EAU 455 END	WATER PUMP GEAR DRIVEN 455 END	PINON POMPA AGUA ENTRENAMIENTO 455 END
33	4031	CIRCLIP A 12 DIN 471	CIRCLIP A 12 DIN 471	CIRCLIP A 12 DIN 471

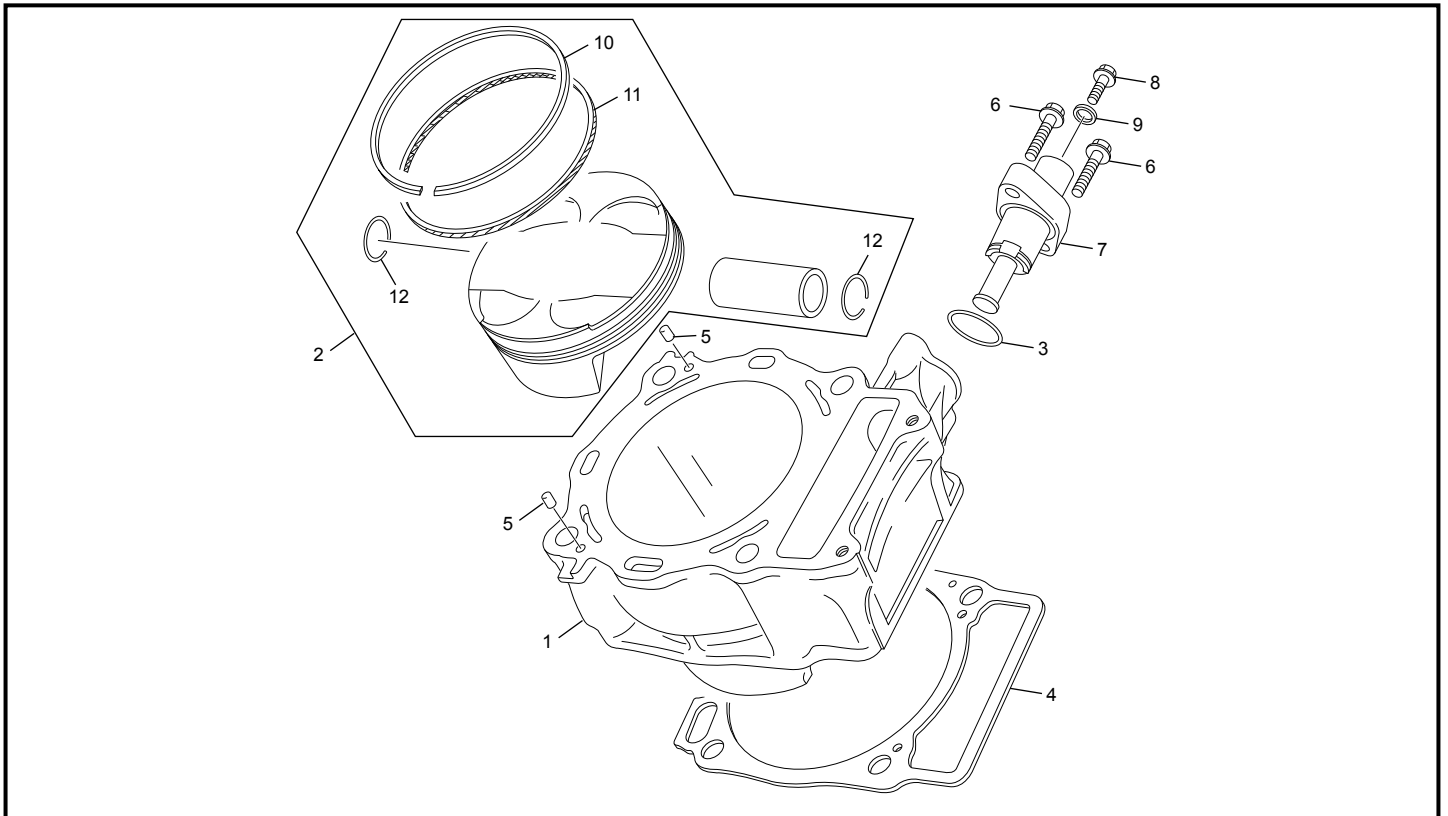
Villebrequin assemble / Crankshaft assembly / Cigüeñal biela



POS.	450 SEF-R RACING	FRANÇAIS	ENGLISH	ESPAÑOL
34	3945	CLAVETTE DEMI LUNE 3 X 3.7 DIN 6888	WOODDURFF 3 X 3.7 DIN 6888	CHAVETA MEDIA LUNA 3 X 3.7 DIN 6888
35	3757	PIGNON ENTRAINEMENT DISTRIBUTION. 455 END	TIMING GEAR DRIVEN 455 END	PINON DITRIBUCION ENTRENAMIENTO 455 END
36	6472	KIT BIELLE 450 SEF EVO 19 MM	CRANKSHAFT REPAIR KIT 450 SEF EVO 19 MM	KIT BIELA 450 SEF EVO 19 MM
38	5778	ENSEMBLE BALANCIER D'EQUILIBRAGE END 455	BALANCIN SHAFT PIGNON END 455 SET	EJE EQUILIBRA END 455 JUEGO

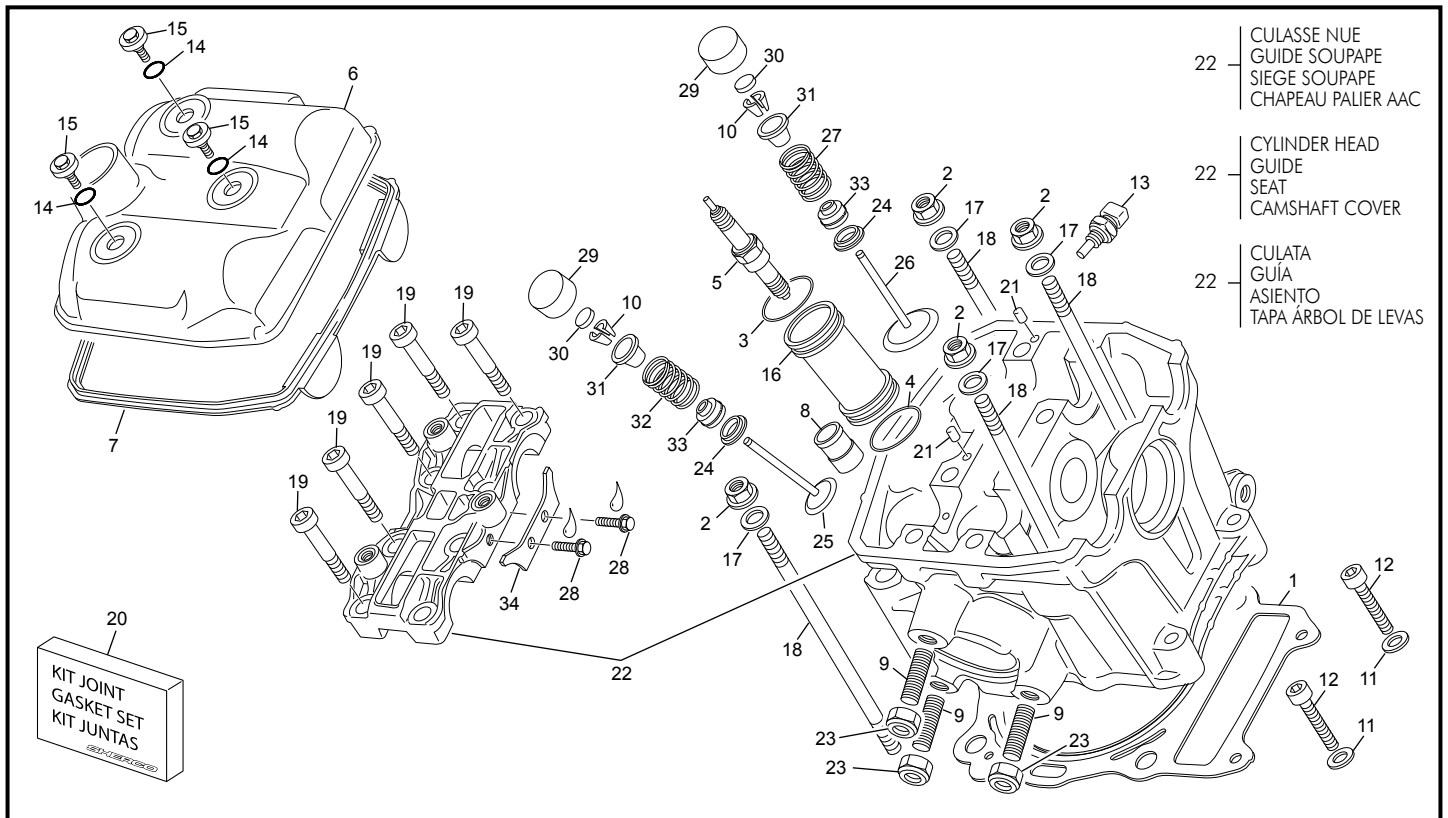
Embrayage / Clutch / Embrague


POS.	450 SEF-R RACING	FRANÇAIS	ENGLISH	ESPAÑOL
1	5917	POUSSOIR DE PLATEAU 450 SEF	CLUTCH PULLER 450 SEF	PULSADOR AXIAL 450 SEF
2	0146	BUTEE AIGUILLE AXK 1528	NEEDL AXIAL BEARING AXK 1528	CORONA COJINETE AGUJAS AXK 1528
3	0147	RONDELLE AS 1528	WASHER AS 1528	ARANDELA AS 1528 I
4	0051	ECROU SPECIAL M20 X 1 END 450	SPECIAL SREW M20 X 1 END	TUERCA ESPECIAL M20 X 1 END
5	6084	RONDELLE BUTEE CRENELEE 5MM 450 / 500 SEF	WASHER SPACER CRENELEE 5 MM 450 / 500 SEF	ARANDELA CRENELEE 5 MM 450 / 500 SEF
6	4861	TIGE DE POUSSEE EMB 450 / 500 SEF END	CLUTCH SPINDLE 450 / 500 SEF END	VARILLA EMB 450 / 500 SEF END
7	5446	RONDELLE RESSORT EMBRAYAGE	SPRING WASHER	ARANDELLA EMBRAGE
8	0050	RONDELLE CONIQUE 20/21/32/1.2 BN1225	WASHER CONIQUE 20/21/32/1.2 BN1225	ARANDELA CONICA 20/21/32/1.2 BN1225
9	7998	COURONNE D EMBRAYAGE Z68 ADLER LIGHT	CLUTCH GEAR Z68 ADLER LIGHT	RUEDA EMBRAGE Z68 END ADLER LIGHT
10	6612	NOIX D EMBRAYAGE EVO	BOSS CLUTCH EVO	MAZA EMBRAGUE EVO
11	6594	PLATEAU PRESSION 450 SEF EVO	PLATE PRESSURE 450 SEF EVO	PLATO DE PRESSION 450 SEF EVO
12	5447	RESSORT D' EMBRAYAGE 250/300 SE	CLUTCH SPRING 250/300 SE	MUELLE EMBRAGUE 250/300 SE
13	3879	PIGNON POMPE HUILE Z17 450 / 500 SEF END	OIL PUMP GEAR Z17 450 / 500 SEF END	PINON BOMBA ACEITE Z17 450 / 500 SEF END
14	0808	VIS CHC 6 X 30 UNI 5931 12.9	SCREW CHC 6 X 30 DIN 912 12.9	TORNILLO 6 X 30 DIN 912 12.9
15	4178	CAGE AIGUILLE K 25 X 29 X 13	NEEDL BEARING K 25 X 29 X 13	COJINETE AGUJAS K 25 X 29 X 13
16	7835	DISQUE EMBRAYAGE GARNI	PLATE FRICTION 2	DISCO FERRADO
17	5444	DISQUE LISSE	METAL CLUTCH DISK	DISCO EMBRAGUE METALICO
18	6818	DISQUE LISSE 1.2mm	METAL CLUTCH DISK 1.2mm	DISCO EMBRAGUE METALICO 1.2mm
19	6819	DISQUE LISSE 2.0 mm	METAL CLUTCH DISK 2.0 mm	DISCO EMBRAGUE METALICO 2.0 mm
20	7986	GROUPE EMBRAYAGE TRANSMISSION PRIMAIRE 450 SEF EVO	CLUTCH SET PRIMARY DRIVE 450 SEF EVO	GRUPO EMBRAGUE TRANS PRIMARIA 450 SEF EVO

Cylindre / Cylinder / Cilindro


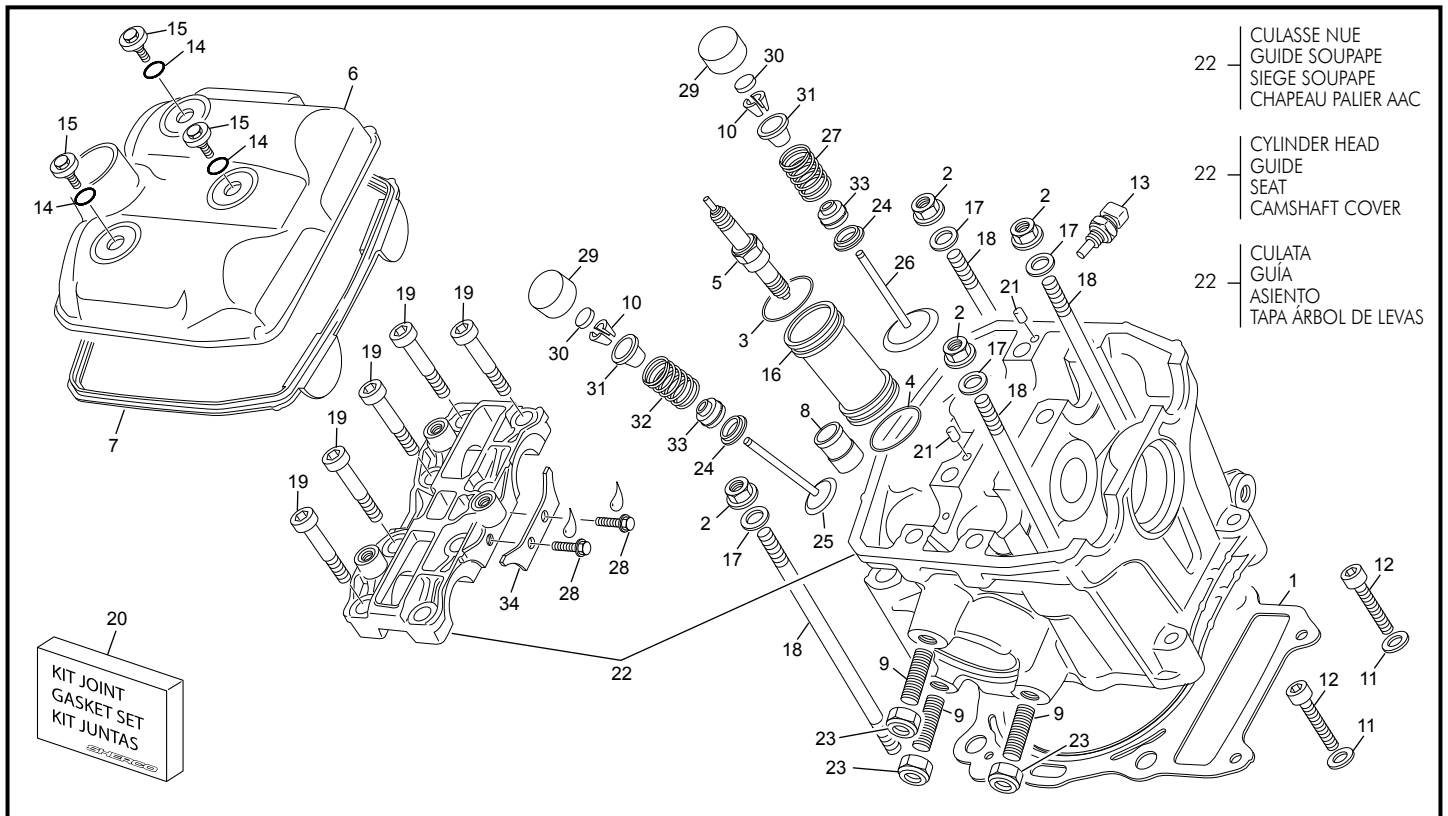
POS.	450 SEF-R RACING	FRANÇAIS	ENGLISH	ESPAÑOL
1	6679	CYLINDRE 450 SEF MK	CILINDER 450 SEF MK	CILINDRO 450 SEF MK
2	6205	PISTON COMPLET 450 SEF D 19 SEGMENT ACIER	PISTON SET 450 SEF D19 STEEL RING	PISTON JUEGO 450 SEF D19 ARO ACERO
3	3989	JOINT TORIQUE 21X2 FPM 85	O-RING 21X2 FMP 85	JUNTA TORICA 21X2 FPM 85
4	2953	JOINT EMBASE CYLINDRE 0.5 MM END 455	CILINDER GASKET 0.5 MM END 455	JUNTA CILINDRO 0.5 MM END 455
5	3946	AIGUILLE 4 X 11.8 BOUTS PLATS	NEEDLE ROLLER 4 X 11.8	AGUJA 4 X 11.8
6	0970	VIS TH EP 6 X 25	SCREW TH EP M6 X 25	TORNILLO TH EP M6 X 25
7	3988	TENDEUR DE CHAINE 450 / 500 END	CHAIN TENSIONER 450 / 500 END	TENSOR DE CADENA 450 / 500 END
8	0592	VIS TH EP 6 X 8	SCREW TH EP 6 X 8	TORNILLO TH EP 6 X 8
9	4757	RONDELLE ALUMINIUM 6.5x14x2	WASHER ALUMINIUM 6.5x14x2	ARANDELA ALUMINIO 6.5x14x2
10	4867	SEGMENT DE FEU 95 MM 450 SEF	RING PISTON 95 MM 450 SEF	ARO END 95.00 MM 450 SEF
11	4868	KIT SEGMENT RACLEUR OIL + FEU 450 SEF	RING KIT END 450 SEF	ARO KIT END 450 SEF
12	4870	CIRCLIPS PISTON 450 SEF D20	PISTON SIRCLIPS 450 SEF D20	SERCLIP PISTON 450 SEF D20

Culasse / Cylinder head / Culata



POS.	450 SEF-R RACING	FRAÇAIS	ENGLISH	ESPAÑOL
1	2952	JOINT DE CULASSE END 455	CILINDER HEAD GASKET END 455	JUNTA CULATA END 455
2	2954	ECROU EMBASE M10 X 1.5	FLANGENUT M10 X 1.5	TUERCA CON VALONA M10 X1.5
3	4143	JOINT TORIQUE 25x2	O RING 25x2	O RING 25x2
4	3948	JOINT TORIQUE 25 X 2.5 FPM 85 455	O RING 25 X 2.5 FPM 85	TORICA 455 END
5	3970	BOUGIE END 455 NGK LMAR9E-J	SPARK PLUG END 455 NGK LMAR9E-J	BUJIA NGK END 455 NGK LMAR9E-J
6	8192	COUVERCLE CULASSE 450 / 500 SEF MANGANESE	CYLINDER HEAD COVER 450 / 500 SEF MANGANESE	TAPA CULATA 450 / 500 SEF MANGANESE
7	3972	JOINT DE COUVRE CULASSE 455 / 500 END	ROCKER ARM COVER GASKET 455 / 500 END	JUNTA TAPA BALANCING 455 / 500 END
8	0464	RACCORD CYLINDRE/DURITE END	CILENDER WATER CONEXION END	CONECTOR TUBO AGUA CILINDRO END
9	2006	GOUJON CYLINDRE 450 END 09	EXHAUST PIN 450 END	ESCAPE TORNILLO 450 END
10	4024	DEMI CONE SOUPAPE END 455	HALF CONE VALVE END 455	SEMICONO VALVULA END 455
11	M317	RONDELLE 6 X12 0407 6	WASHER X 6	ARANDELA 6 DIN 125 A
12	1031	VIS CHC M6 X 35PRE IMPREGNEE FAIBLE	SCREW CHC M6 X 35 PRE IMPREGNEE FAIBLE	TORNILLO CHC M6 X 35 PRE IMPREGNEE FAIBLE
13	0380	CAPTEUR EAU END SEF	SENSOR WATER END SEF	SENSOR AGUA END SEF
14	0900	JOINT TORIQUE 10.5X2.7 VIS COUVRE CULASSE 250 E	SCREW ROCKER ARM COVER O-RING 250 END	JUNTO DE TORNILLO TAPA BALANCING 250 END
15	4758	VIS COUVRE CULASSE M6 X 10 250 END	SCREW TH EP M6 X 10 SPECIAL 250 END	TORNILLO TH EP M6 X 10 SPE. 250 END
16	3949	TUBE PUIS DE BOUGIE 450 / 500 END	SPARK PLUG TUBE 450 / 500 END	TUBO DE BUJIA 450 / 500 END
17	4673	RONDELLE Ø10.5 X 18 X 3	WASHER Ø10.5 X 18 X 3	ARANDELA Ø10.5 X 18 X 3
18	2955	GOUJON M10 X 170	STUD CYLINDRE M10 X 170	ESPARRAGO M10 X 170
19	3974	VIS CHC 8 X 35 DIN 7984 12.9	SCREW CHC 8 X 35 DIN 7984 12.9	TORNILLO CHC 8 X 35 DIN 7984 12.9
20	4863	KIT JOINT HAUT MOTEUR 450 SEF	KIT GASKET TOP ENGINE 450 SEF	KIT JUNTA MOTOR PARTE SUPERIOR 450 SEF
21	3946	AIGUILLE 4 X 11.8 BOUTS PLATS	NEEDLE ROLLER 4 X 11.8	AGUJA 4 X 11.8
22	8085	CULASSE 450 / 500 EQUIPEE SEF SAV	HEAD CYLINDER 450 / 500 SEF SPARE PARTS	CULATA 450 / 500 SEF RECAMBIO
23	2197	ECROU FREIN M8 ACIER POUR GOUJON CULASSE	BREAK NUT M8	TUERCA M8
24	4800	SIEGE RESSORT SOUPAPE SEF 450 / 500 EVO	SEAT VALVE SPRING SEF 450 / 500 EVO	ASIENTO MUELLES VALVULA SEF 450 / 500 EVO
25	4023	SOUPAPE ECHAPPEMENT 455 END	EXHAUST VALVES 455 END	VALVULA ESCAPE 455 END
26	4022	SOUPAPE ADMISSION 455 END	INTAKE VALVES 455 END	VALVULA ADMISION 455 END
27	4791	RESSORT SOUPAPES ADMISSION 450 / 500 SEF EVO	INTAKE SPRING VALVE 450 / 500 SEF EVO	MUELLES ADMISION VALVULA 450 / 500 SEF EVO
28	0656	VIS TH EP 6 X 16	SREW TH EP 6 X 16	TORNILLO TH EP 6 X 16
29	4027	POUSSOIR DIAMETRE 28 455 END	TAPPETS D 28 455 END	BOTON D28 455 END
30	4188	PASTILLE DE REGLAGE 1.76 SOUPAPE END 455	ADJUSTING VALVE PADS 1.76 END 455	PASTILLA REGLAJE 1.76 VALVULA END 455
30	4189	PASTILLE DE REGLAGE 1.80 SOUPAPE END 455	ADJUSTING VALVE PADS 1.80 END 455	PASTILLA REGLAJE 1.80 VALVULA END 455
30	4190	PASTILLE DE REGLAGE 1.84 SOUPAPE END 455	ADJUSTING VALVE PADS 1.84 END 455	PASTILLA REGLAJE 1.84 VALVULA END 455
30	4191	PASTILLE DE REGLAGE 1.88 SOUPAPE END 455	ADJUSTING VALVE PADS 1.88 END 455	PASTILLA REGLAJE 1.88 VALVULA END 455
30	4192	PASTILLE DE REGLAGE 1.92 SOUPAPE END 455	ADJUSTING VALVE PADS 1.92 END 455	PASTILLA REGLAJE 1.92 VALVULA END 455

Culasse / Cylinder head / Culata

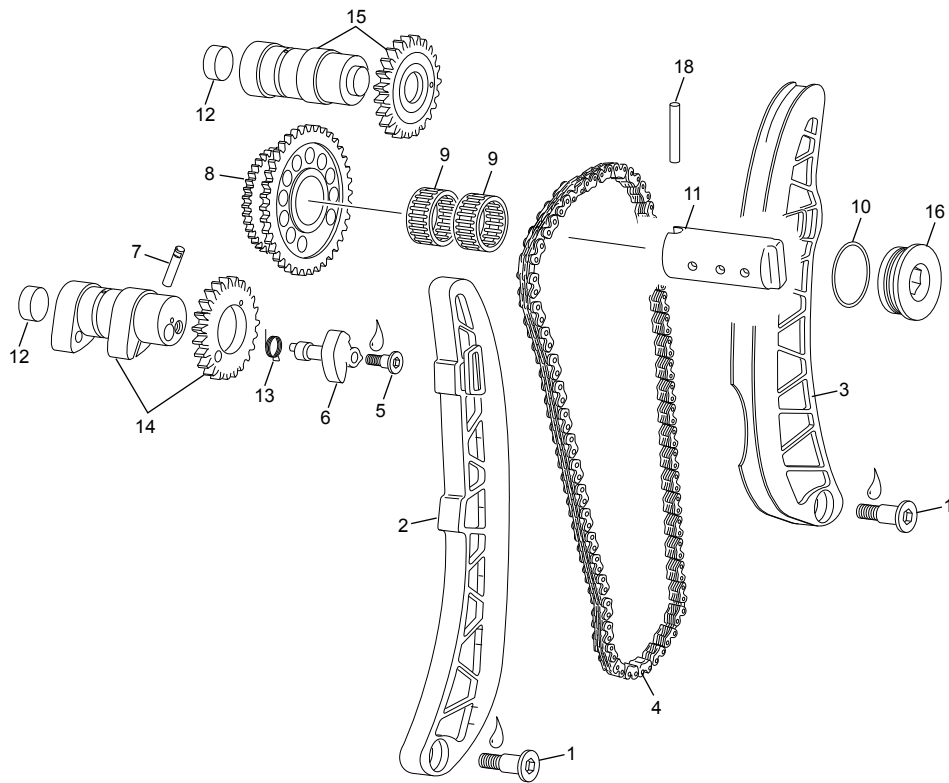


- 22 CULASSE NUE
GUIDE SOUPAPE
SIEGE SOUPAPE
CHAPEAU PALIER AAC
- 22 CYLINDER HEAD
GUIDE
SEAT
CAMSHAFT COVER
- 22 CULATA
GUIA
ASIENTO
TAPA ARBOL DE LEVAS

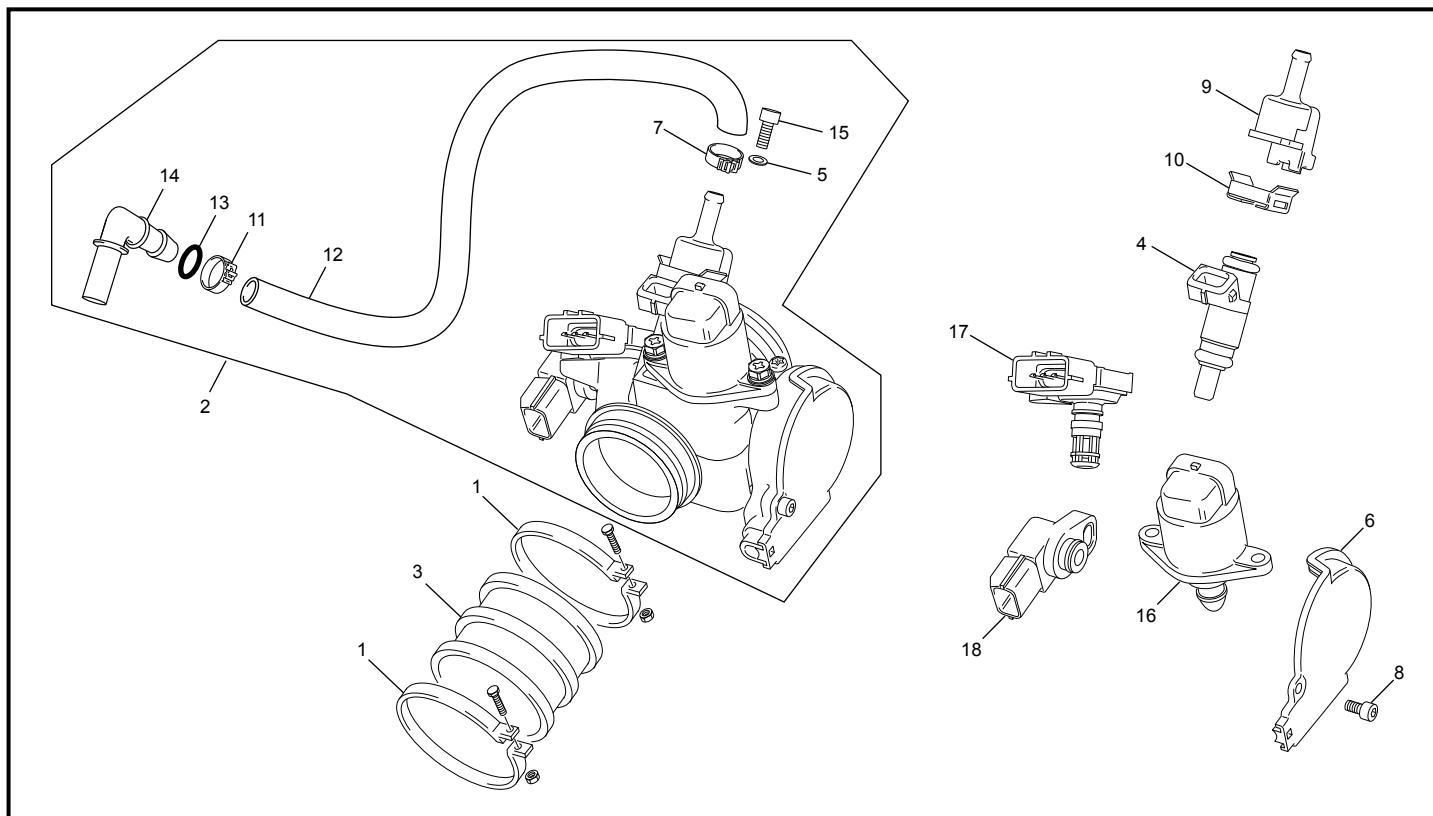
POS.	450 SEF-R RACING	FRANÇAIS	ENGLISH	ESPAÑOL
30	4193	PASTILLE DE REGLAGE 1.96 SOUPAPE END 455	ADJUSTING VALVE PADS 1.96 END 455	PASTILLA REGLAJE 1.96 VALVULA END 455
30	4194	PASTILLE DE REGLAGE 2.00 SOUPAPE END 455	ADJUSTING VALVE PADS 2.00 END 455	PASTILLA REGLAJE 2.00 VALVULA END 455
30	4195	PASTILLE DE REGLAGE 2.04 SOUPAPE END 455	ADJUSTING VALVE PADS 2.04 END 455	PASTILLA REGLAJE 2.04 VALVULA END 455
30	4196	PASTILLE DE REGLAGE 2.08 SOUPAPE END 455	ADJUSTING VALVE PADS 2.08 END 455	PASTILLA REGLAJE 2.08 VALVULA END 455
30	4197	PASTILLE DE REGLAGE 2.12 SOUPAPE END 455	ADJUSTING VALVE PADS 2.12 END 455	PASTILLA REGLAJE 2.12 VALVULA END 455
30	4198	PASTILLE DE REGLAGE 2.16 SOUPAPE END 455	ADJUSTING VALVE PADS 2.16 END 455	PASTILLA REGLAJE 2.16 VALVULA END 455
30	4199	PASTILLE DE REGLAGE 2.20 SOUPAPE END 455	ADJUSTING VALVE PADS 2.20 END 455	PASTILLA REGLAJE 2.20 VALVULA END 455
30	4200	PASTILLE DE REGLAGE 2.24 SOUPAPE END 455	ADJUSTING VALVE PADS 2.24 END 455	PASTILLA REGLAJE 2.24 VALVULA END 455
30	6109	PASTILLE DE REGLAGE 1.60 SOUPAPE END 455	ADJUSTING VALVE PADS 1.60 END 455	PASTILLA REGLAJE 1.60 VALVULA END 455
30	6110	PASTILLE DE REGLAGE 1.62 SOUPAPE END 455	ADJUSTING VALVE PADS 1.62 END 455	PASTILLA REGLAJE 1.62 VALVULA END 455
30	6111	PASTILLE DE REGLAGE 1.64 SOUPAPE END 455	ADJUSTING VALVE PADS 1.64 END 455	PASTILLA REGLAJE 1.64 VALVULA END 455
30	6112	PASTILLE DE REGLAGE 1.66 SOUPAPE END 455	ADJUSTING VALVE PADS 1.66 END 455	PASTILLA REGLAJE 1.66 VALVULA END 455
30	6113	PASTILLE DE REGLAGE 1.68 SOUPAPE END 455	ADJUSTING VALVE PADS 1.68 END 455	PASTILLA REGLAJE 1.68 VALVULA END 455
30	6114	PASTILLE DE REGLAGE 1.70 SOUPAPE END 455	ADJUSTING VALVE PADS 1.70 END 455	PASTILLA REGLAJE 1.70 VALVULA END 455
30	4025	PASTILLE DE REGLAGE 1.72 SOUPAPE END 455	ADJUSTING VALVE PADS 1.72 END 455	PASTILLA REGLAJE 1.72 VALVULA END 455
31	4801	COUPELLE RESSORT DITRIBUTION 450 / 500 SEF EVO	VALVE SPRING CAP 450 / 500 SEF EVO	TAPA MUELLES VALVULA 450 / 500 SEF EVO
32	4790	RESSORT SOUPAPES ECHAPPEMENT 450 SEF EVO	EXHAUST SPRING VALVES 450 SEF EVO	MUELLE VALVULA ESCAPE 450 SEF EVO
33	4026	JOINT DE SOUPAPE 450 / 500 END	VALVES SEAL 450 / 500 END	RETEN VALVULA 450 / 500 END
34	3984	PLAQUE FIXATION DISTRIBUTION END 455	PLATE GUIDE CAMSHAFT END 455	PLACA GUIA ARBOL LEVAS END 455

*Sherco se réserve les droits de modification des références, merci de contrôler sur le portail Sherconetwork avant toute commande. - *Sherco reserves the right to make change on the references, please check on your Sherconetwork portal before ordering.
 *Sherco se reserva el derecho para hacer modificaciones sobre las referencias. Por favor, verifica en el Sherconetwork antes de hacer un pedido.

Distribution / Camshaft and drive assembly / Distribución

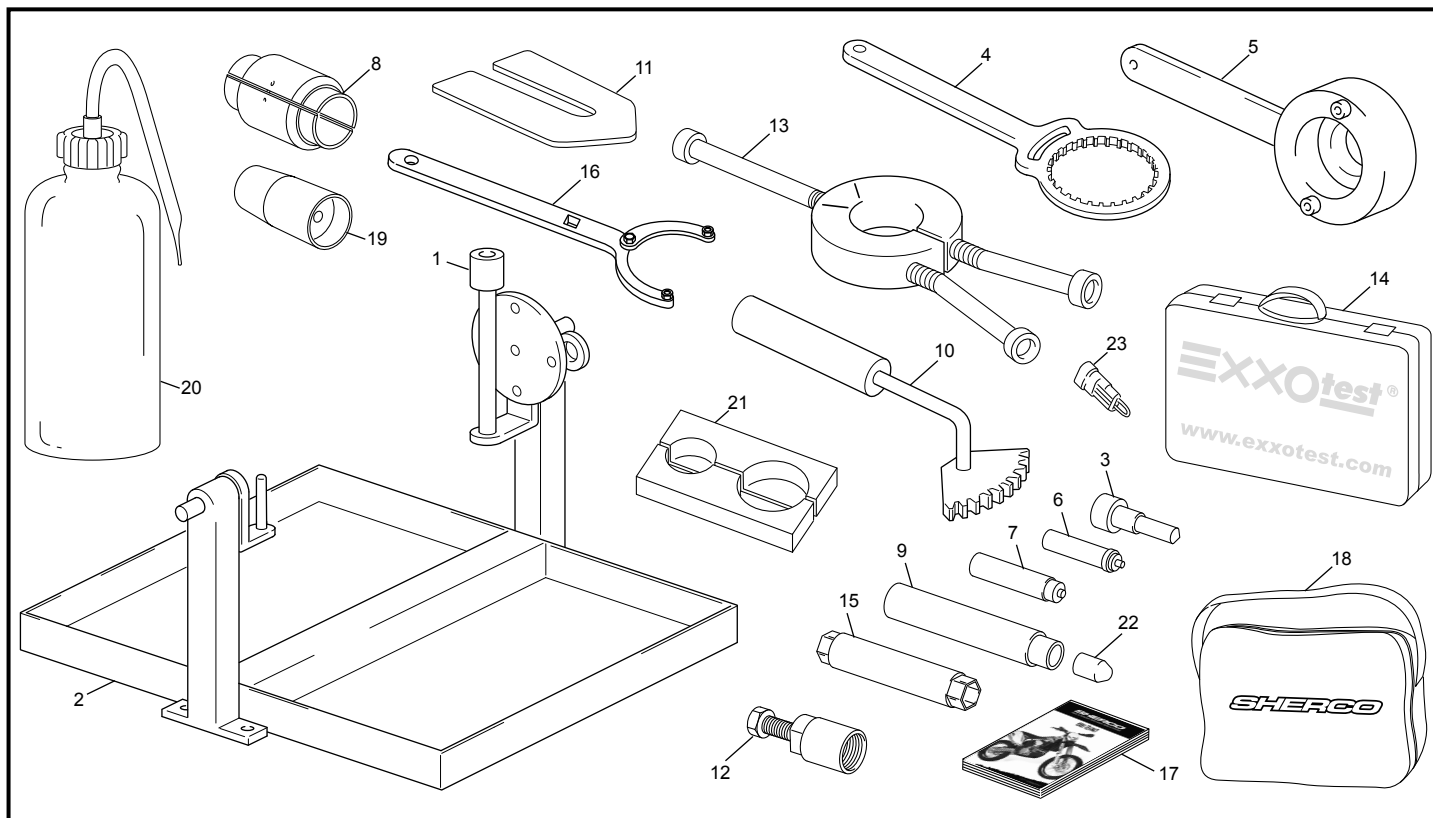


POS.	450 SEF-R RACING	FRANÇAIS	ENGLISH	ESPAÑOL
1	3990	VIS PATIN M6 450 SEF	SCREW M6 450 SEF	TORNILLO M6 450 SEF
2	3987	GUIDE CHAINE DISTRIB. 455 END	CHAIN GUIDE 455 END	GUIDA CADENA 455 END
3	3986	PATIN TENDEUR DE CHAINE DISTRIB. 455 END	GUIDE STOPPER 455 END	TOPE DE GUIA 455 END
4	3985	CHAINE DE DISTRIBUTION 106 MAILLONS END 455	CHAIN OF DISTRIBUTION 106 LINKS ENDLESS END 455	CADENA DE DISTRIBUTION 106 MAILLONS END 455
5	4485	VIS DECOMPRESSEUR AUTOMATIQUE 450 END	VIS DECOMPRESSOR AUTOMATIC 450 END	VIS DECOMPRESSOR AUTOMATQUE 450 END
6	4486	DECOMPRESSEUR AUTOMATIQUE 450 / 500 END	DECOMPRESSOR AUTOMATIC 450 / 500 END	DECOMPRESSOR AUTOMATQUE 450 / 500 END
7	4487	AXE DECOMPRESSEUR AUTOMATIQUE 450 SEF	DECOMPRESSOR PIN AUTOMATIC 450 SEF	EJE DECOMPRESSOR AUTOMATQUE 450 SEF
8	6615	PIGNON DISTRIBUTION 455 END EVO	TIMING GEAR 455 END EVO	PINON DITRIBUCION 455 END EVO
9	4010	DOUILLE AIGUILLE K 20X24X13	NEEDL BEARING K 20X24X13	COJINETE AGUJAS K 20X24X13
10	M644	JOINT TORIQUE 23 X 2.5 BOUCHON FILTRE HUILE TRIAL	O-RING 23 X 2.5 CAP OIL FILTER TRIAL	JUNTA TORICA 23 X 2 TAPON FILTRO ACIETE TRIAL
11	6410	AXE PIGNON DITRIBUCION 450 SEF EVO	IDLE GEAR AXIEL 455 SEF EVO	EJE PIÑON DISTRIBUCION 450 SEF EVO
12	4018	BOUCHON D18 DIN 443 ARBRE A CAMES 455 END	TAPE CAMSHAFT 455 END	TAPO ARBOL LEVAS 455 END
13	4488	RESSORT DECOMPRESSEUR AUTOMATIQUE 450 END	DECOMPRESSOR SPRING AUTOMATIC 450 END	MUELES DECOMPRESSOR AUTOMATQUE 450 END
14	5777	ENSEMBLE ARBRE A CAMES ECHAP 450/500 SEF SAV	EXHAUST CAMSHAFT SET 450 / 500 SEF SPARE PARTS	ARBOL LAVAS ESCAPE JUEGO 450 / 500 SEF RECAMBIOS
15	5776	ENSEMBLE ARBRE A CAMES ADMISSION 450 500 SEF SAV	INTAKE CAMSHAFT SET 450 / 500 SEF SPARE PARTS	ARBOL LAVAS ADMISION JUEGO 450 / 500 SEF RECAMBIOS
16	6411	BOUCHON CARTER SEF M27X100 EVO	MAGNETIC SEF M27X100 EVO	TAPON TAPA SEF M27X100 EVO
18	6420	AIGUILLE 4X34.8 NRB	NEEDL 4X34.8 NRB	AGUJA 4X34.8 NRB

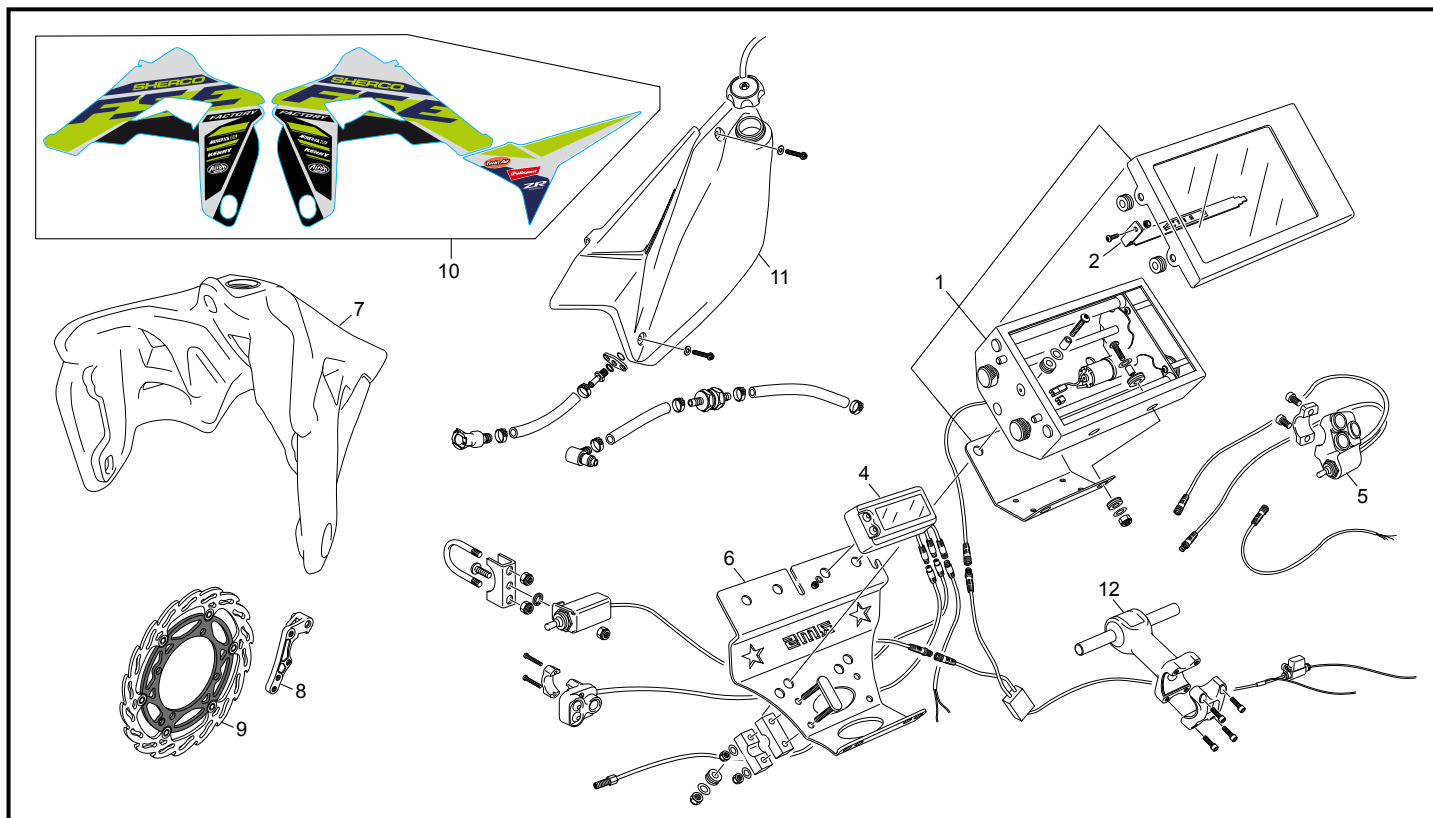
Corps injection / Injector body / Cuerpo inyección


POS.	450 SEF-R RACING	FRANÇAIS	ENGLISH	ESPAÑOL
1	0595	COLLIER KC060 MANCHON CORP INJECTION END 450 40-60	COLLAR KC060 HOSE BODY INJECTION END 450 40-60	BRIDA TOBERA KC060 CUERPO INYECCION END 450 40-60
2	7210	CORP D' INJECTION END SYN 450 / 500 COMPLET EVO	INJECTION BOODY END SYN 450 / 500 COMPLET EVO	CUERPO INYECCION END SYN 450 / 500 COMPLETO EVO
3	4313	MANCHON CULASSE/INJECTION END SYNERJECT	MANIFOLD CILINDER HEAD/INJECTION END SYNERJECT	TUBERA CULATA/INJECTION END SYNERJECT
4	3464	INJECTEUR DK4	INJECTOR DK4	INJECTEUR DK4
5	4754	RONDELLE M5 X 10	WASHER M5X10	ARANDELA M5X10
6	5102	COUVERCLE CORP INJECTION END SYN	INJECTION COVER END SYN	TAPA CORPO INJECTION END SYN
7	5101	COLLIER CLIC 12	COLLAR 12	ABRAZADERA 12
8	M286	VIS BHC 4 X 10	SCREW BHC 4 X 10	TORNILLO 4 X 10 ULS
9	4427	SUPPORT INJECTEUR DK4	CUP AND BRACKET INJECTOR DK4	SOPORTE INYECTOR DK4
10	4426	CLIPS INJECTEUR DK4	CLIPS INJECTOR DK4	CLIPS INYECTOR DK4
11	H263	COLLIER CLIC 66/125 13.5	COLLAR 66/125 13.5	ABRAZADERA 66/125 13.5
12	3487	DURITE ALIMENTATION END	HOSE INJECTION/FUEL END	TUBO GASOLINA/INJECTION END
13	3547	JOINT TORIQUE Ø6x1.5 NBR70	O RING Ø6x1.5 NBR70	TORICA Ø6x1.5 NBR70
14	3546	RACCORD RAPIDE 90° POMPE BITRON END 2012	FAST FUEL CONEXION 90° PUMP BITRON END 2012	CONECTOR TUBO RAPIDO END 2012
15	2990	VIS CHC M5x12 ZI PRE IMPREGNEE FAIBLE	SCREW CHC M5x12 ZI	TORILLO CHC M5x12 ZI
16	5103	VANNE INJECTION END SYN	ACTUATOR MOTOR END SYN	MOTOR PASO A PASO END SYN
17	3465	CAPTEUR TMAP 30	SENSOR TMAP 30	SENSOR TMAP 30
18	5104	CAPTEUR TPS INJECTION END SYN	TPS SENSOR END SYN	CAPTADOR TPS END SYN

Outillage / Tools / Utilajes



POS.	450 SEF-R RACING	FRANÇAIS	ENGLISH	ESPAÑOL
1	R455	OUTIL SUPPORT MOTEUR	SUPPORT ENGINE TOOL	UTIL SOPORTE MOTOR
2	R481	SERVANTE	CONTAINER	BANDEJA
3	1819	VIS VILO PMH	DEAD PIONT SCREW TOOL	TORNILLO PUNTO MUERTO
4	5749	OUTIL CLOCHE EMBRAYAGE END 250 SE ADLER	CLUTCH TOOL 250 SE ADLER	UTIL CAMPANA EMBRAGUE 250 SE ADLER
5	4753	OUTIL ALLUMAGE SYNERJCT ET MM	TOOL IGNITION 250 SYNERJCT ET MM	UTIL ENCENDIDO 250 SYNERJCT ET MM
6	1822	OUTIL ROULEMENT POMPE A EAU 250 END	WATER POMPE BEARING TOOL 250 END	UTIL RODAMENTO BOMBA DE AGUA 250 END
7	1968	OUTIL SPIE POMPE A EAU END	WATER POMPE SEAL RING TOOL END	UTIL EJE BOMBA DE AGUA END
8	5028	OUTIL EMMANCHEMENT D48	TOOL FIT UP AID D48 WP	HERRAMIENTA AYUDA MARTILLO WP 48
9	R450	OUTIL VOYANT	OIL LEVEL CAUGE TOO	UTIL VISOR
10	5593	OUTIL BLOC PIGNON PRIMAIRE 450 SEF	PINION CLUTCH SHAFT TOOL 450 SEF	UTIL PINION PRIMARIO 450 SEF
11	5774	OUTIL SUPPORT PISTON SEF 450	SUPPORT PISTON TOOL SEF 450	UTIL SOPORTE PISTON SEF 450
12	R462	EXTRACTEUR VOLANT	FLYING EXTRACTOR	EXTRACTOR VOLANTE
13	R464	EXTRACTEUR ANNEAU INTERNE 450	RING EXTRACTOR	EXTRACTOR ANILLO INTERIOR
14	8561	KIT OUTIL DIAGNOSTIC INJECTION SYNERJECT	TOOL DIAGNOSTIC INJECTION SYNERJECT KIT	KIT UTILAJE DIAG. INYECCION SYNERJECT
15	5773	TUBE CLEF BOUGIE 450 SEF	SPARK KEY ADAPTATOR 450 SEF	LLAVE BUJIA TUBO 450 SEF
16	5132	OUTIL CLEF ERGOTS AJUSTABLE WP 48	PIN SPANNER ADJUSTABLE WP	LLAVE DE PUNTAS AJUSTABLES WP
17	4871	MANUEL DU PROPRIETAIRE 450 SEF	MANUEL USER 450 SEF	MANUAL PROPRIETARIO 450 SEF
18	0726	TROUSSE OUTILS	TOOLS	RIÑONERA HERRAMIENTAS
19	5029	OUTIL GUIDE JOINT D48	TOOL FIT UP AID SEALING D48 WP	HERRAMIENTA GUIA JUNTA WP 48
20	5030	OUTIL BOUTEILLE MISE A NIVEAU WP	TOOL FEEDING BOTTLE WP	HERRAMIENTA BOTELLA PUESTA A NIVEL WP
21	5031	OUTIL 1/2 MORS DE TUBE WP 48	CLAMP JAW 48/60 WP	HERRAMIENTA FIJACION TUBOS WP
22	R472	APLICATEUR JOINT 20X30X7 END 450	PROTECTOR SEAL 20X30X7	PROTECTOR RETEN 20X30X7
23	6267	FAISCEAU SHUNT OUTIL DIAGNOSTIQUE KEY LESS	HARNESS SHUNT DIAGNOSTIC TOOL KEY LESS	SHUNT HERRAMIENTA DIAGNOSTICA A KEY LESS



POS.	450 SEF-R RACING	FRANÇAIS	ENGLISH	ESPAÑOL
1	6023	DEROULEUR DE ROAD BOOK	DEROULEUR DE ROAD BOOK	DEROULEUR DE ROAD BOOK
2	7901	KIT ILLUMINATION RALLY	KIT ILLUMINATION RALLY	KIT ILLUMINATION RALLY
4	6021	TRIP ICO RALLY MAX 2	TRIP ICO RALLY MAX 2	TRIP ICO RALLY MAX 2
5	6024	COMMANDE DEROULEUR ET SPEEDOCAP	COMMANDE DEROULEUR ET SPEEDOCAP	COMMANDE DEROULEUR ET SPEEDOCAP
6	7900	PLAQUE SUPPORT ROAD BOOK ET TRIP	SUPPORT ROAD BOOK TWO BARS	SOPORTE PLACA ROAD BOOK Y TRIP
7	5185	RESERVOIR ESSENCE 13 LITRES END 4T	PETROL TANK END 13 LITER 4 ST	DEPOSITO END 13 LITRO 4T
8	7903	PATTE DEPORT DE FREIN AVANT	FRONT BRAKE DEPORT PAD	ALMOHADILLA DEL DEPORTE FRENO DEL.
9	7904	DISQUE DE FREIN AVANT	FRONT BRAKE DISK	DISCO FRENO DELANTERO
10	8531	KIT DECO RALLY LIGHT 2020	KIT DECO RALLY LIGHT 2020	KIT DECO RALLY LIGHT 2020
11	7898	RESERVOIR CARBONE ARRIERE 4L 2018 COMPLET	REAR CARBON PETROL TANK 4L 2018 KIT	DEPOSITO CARBON IZQ RALLY KIT
12	7900	PLAQUE SUPPORT ROAD BOOK ET TRIP	SUPPORT ROAD BOOK TWO BARS	SOPORTE PLACA ROAD BOOK Y TRIP



created by www.ciandisseny.com

2020

SHERCO
www.sherco.com

SHERCO
Motorcycles

