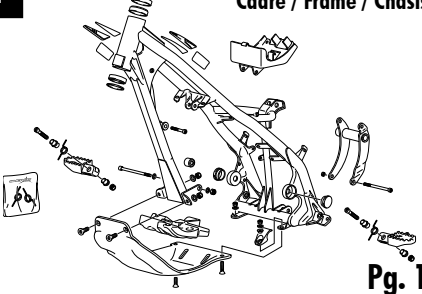
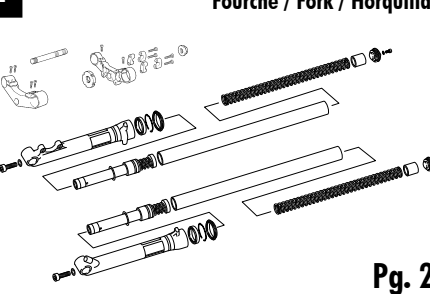
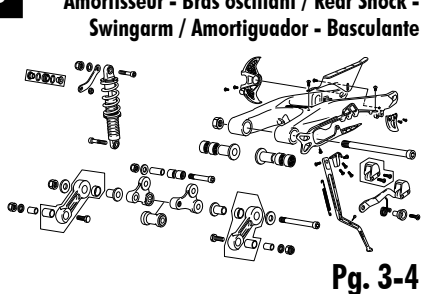
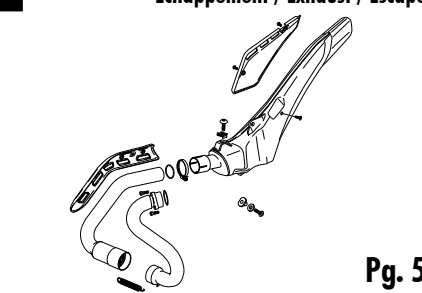
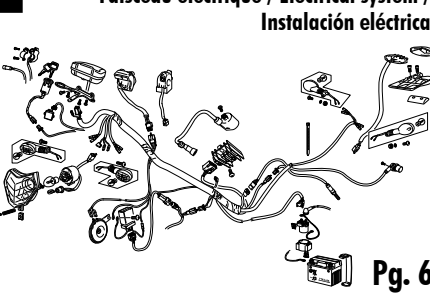
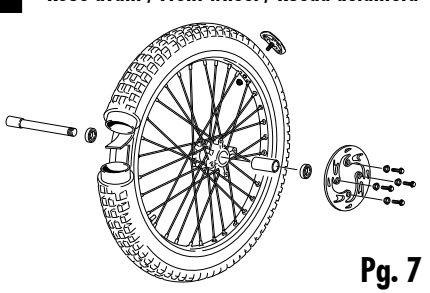
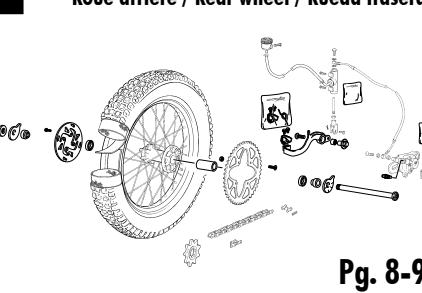
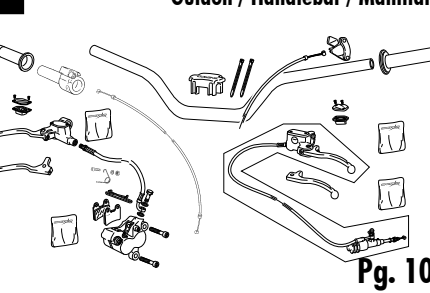
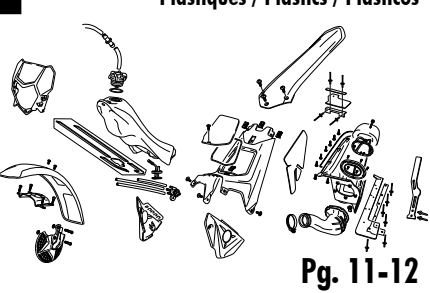
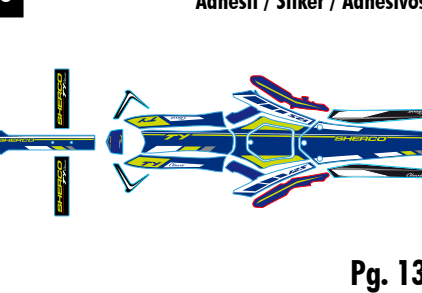
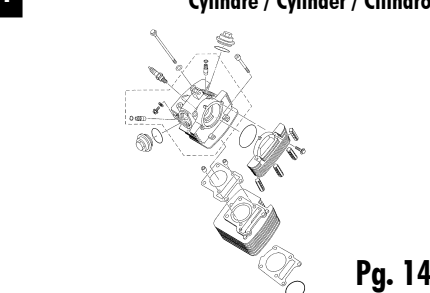
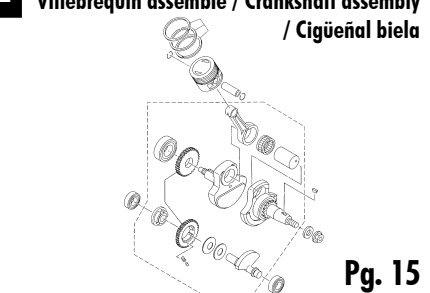
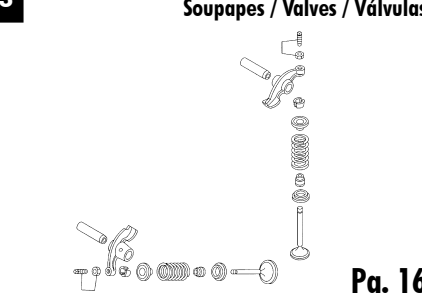
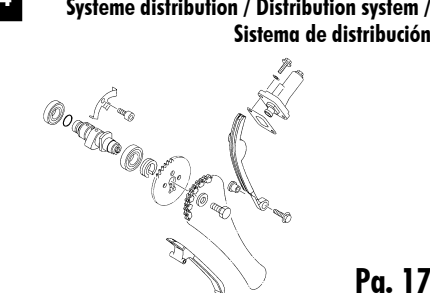
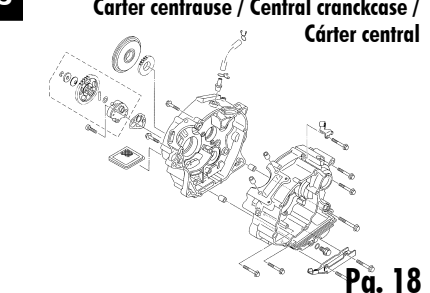


Spare part's-book **2019** **TY 125 CLASSIC**



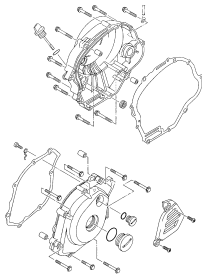
SHERCO
Motorcycles

Index / Index / Índice

<p>1 Cadre / Frame / Chasis</p>  <p>Pg. 1</p>	<p>2 Fourche / Fork / Horquilla</p>  <p>Pg. 2</p>	<p>3 Amortisseur - Bras oscillant / Rear Shock - Swingarm / Amortiguador - Basculante</p>  <p>Pg. 3-4</p>
<p>4 Echappement / Exhaust / Escape</p>  <p>Pg. 5</p>	<p>5 Faisceau électrique / Electrical system / Instalación eléctrica</p>  <p>Pg. 6</p>	<p>6 Roue avant / Front wheel / Rueda delantera</p>  <p>Pg. 7</p>
<p>7 Roue arriere / Rear wheel / Rueda trasera</p>  <p>Pg. 8-9</p>	<p>8 Guidon / Handlebar / Manillar</p>  <p>Pg. 10</p>	<p>9 Plastiques / Plastics / Plásticos</p>  <p>Pg. 11-12</p>
<p>10 Adhesif / Stiker / Adhesivos</p>  <p>Pg. 13</p>	<p>11 Cylindre / Cylinder / Cilindro</p>  <p>Pg. 14</p>	<p>12 Villebrequin assemble / Crankshaft assembly / Cigüeñal biela</p>  <p>Pg. 15</p>
<p>13 Soupapes / Valves / Válvulas</p>  <p>Pg. 16</p>	<p>14 Systeme distribution / Distribution system / Sistema de distribución</p>  <p>Pg. 17</p>	<p>15 Carter centrause / Central crankcase / Cárter central</p>  <p>Pg. 18</p>

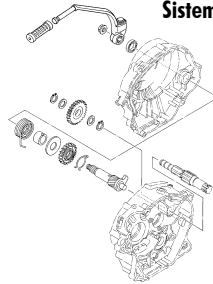
Index / Index / Índice

16 Carter letreause / Lateral crankcase /
Cárter lateral



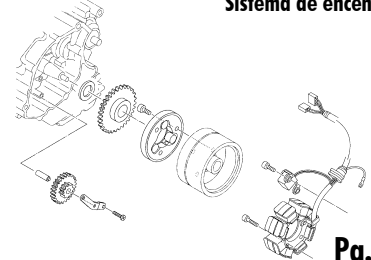
Pg. 19

17 Systeme demarreur / Start system /
Sistema de arranque



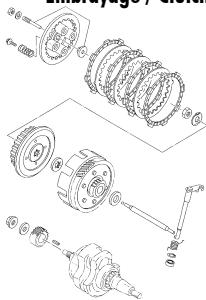
Pg. 20

18 Essemble allumage / Ignition systeme /
Sistema de encendido



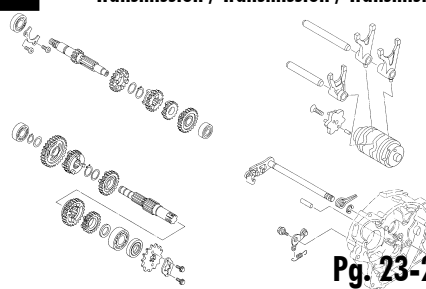
Pg. 21

19 Embrayage / Clutch / Embrague



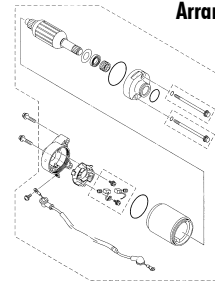
Pg. 22

20 Transmission / Transmission / Transmisión



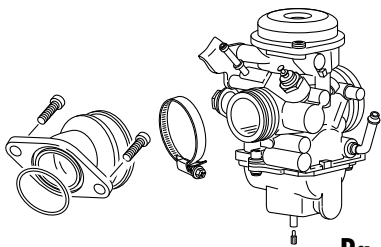
Pg. 23-24

21 Démarreur électrique / Kicléstarter /
Arranque eléctrico



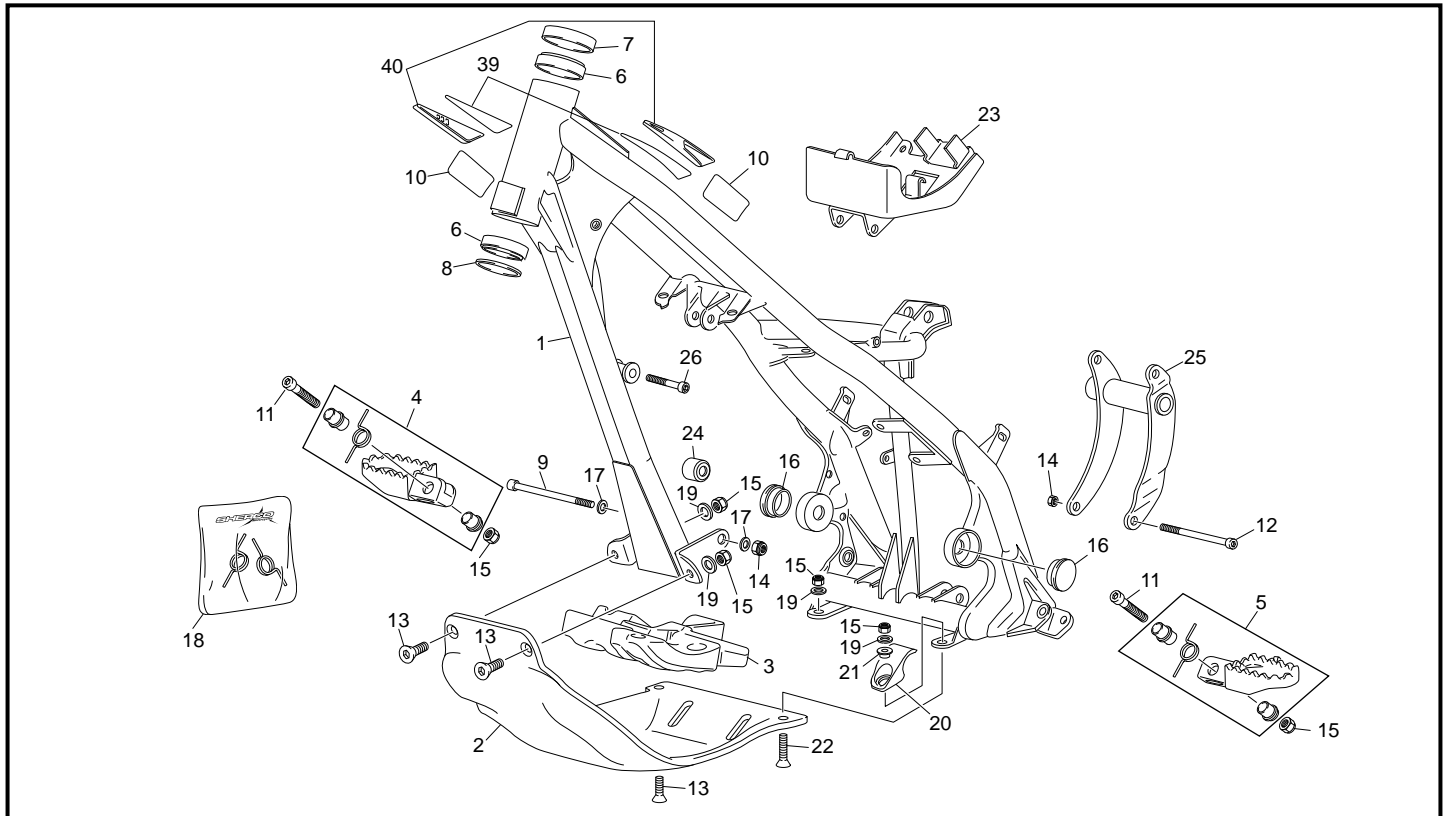
Pg. 25

22 Carburateur / Carburator / Carburador



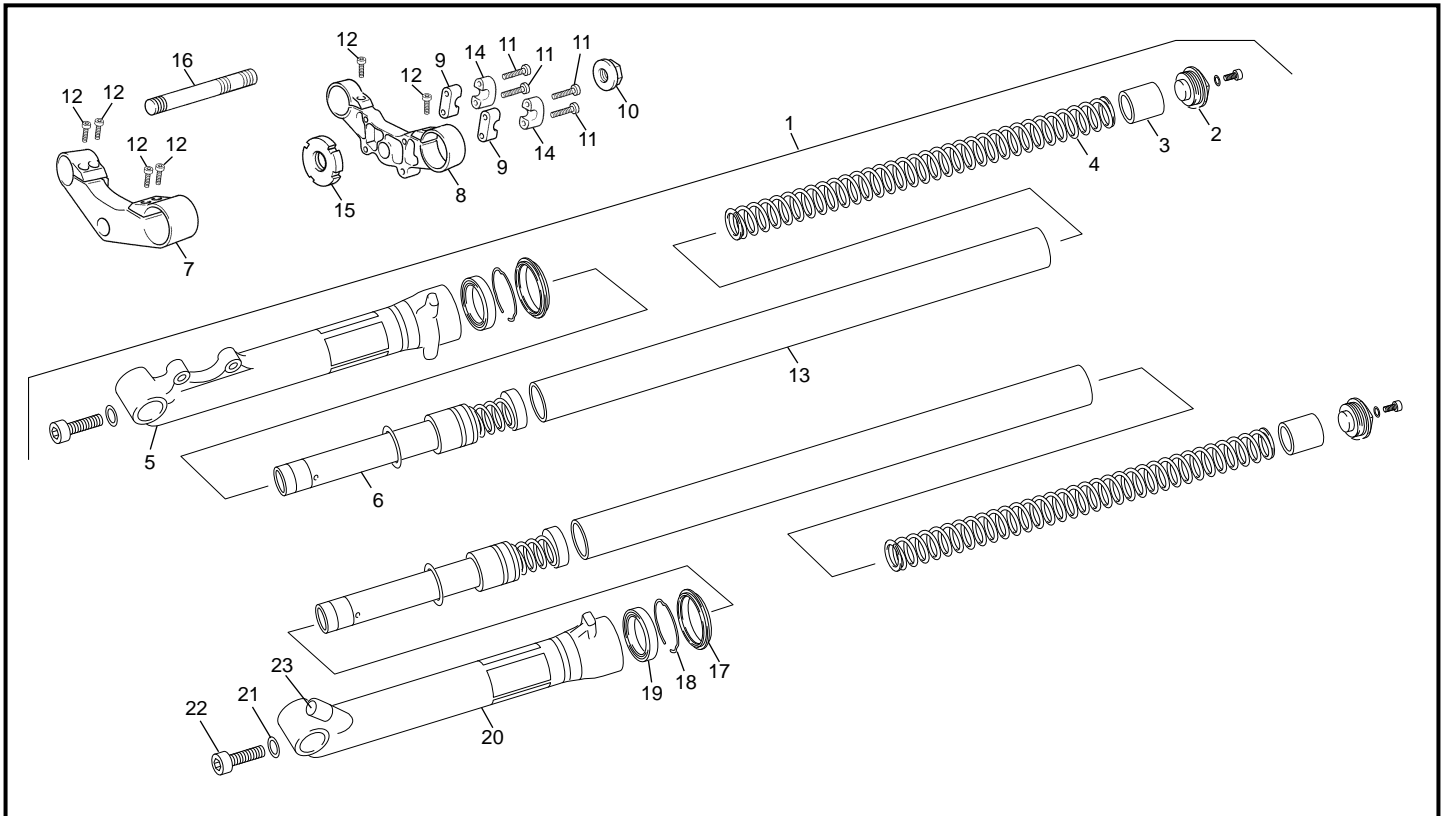
Pg. 26

Cadre / Frame / Chasis



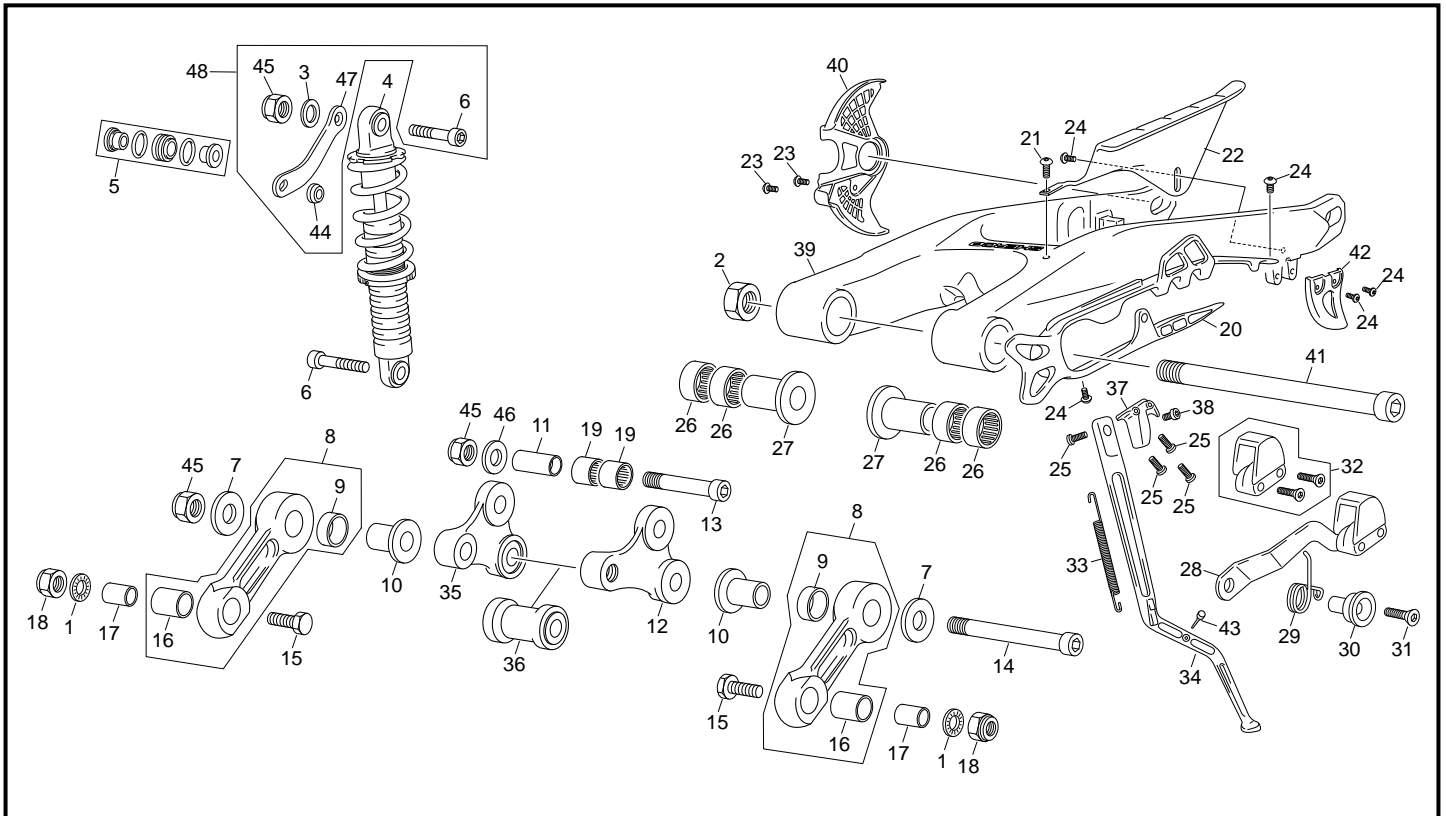
POS.	1.25	FRANÇAIS	ENGLISH	ESPAÑOL
1	7150	CADRE TY125	FRAME TY125	CHASSIS TY 125
2	7151	SABOT MOTEUR TY125	BASH PLATE TY125	PROTECTOR CARTER TY125
3	2689	CAOUTCHOUC TY125	BASH PLATE RUBBER TY125	CAUCHO PLACA MOTOR TY125
4	4547	REPOSE PIED DROITE TR NOIRE	RIGHT FOOTPEG TR BLACK	ESTRIBERA DERECHA TR NEGRA
5	4548	REPOSE PIED GAUCHE TR NOIRE	LEFT FOOTPEG TR BLACK	ESTRIBERA IZQUIERDA TR NEGRA
6	C009	ROULEMENT COLONNE DIRECTION R32004	STEERING BEARING R32004	RODAMIENTO DIRECCION R32004
7	C010	BAGUE DE PROTECTION HAUTE PLASTIC	PLASTIC DUST COVER	GUARDA POLVO SUPERIOR PLASTIC
8	C011	BAGUE DE PROTECTION BASSE	FORK ALUMINIUM WHASHER	ARANDELA GUARDA POLVO INF
9	M296	AXE MOTEUR AV 10X116 ZI.NII.TR.	FRONT PIN ENGINE 10X116 ZI.NII.TR.	TORNILLO MOTOR 10X116 ZI.NII.TR.
10	C393	ADESIF MINERVA S/PLOMB 98	PETROL MINERVA STICKER 98	ADHESIVO MINERVA S/PLOMO 98
11	M264	VIS CHC 8 X 45 0084 ZN NI TR	SCREW CHC 8 X 45 ZN NI TR	TORNILLO 8 X 45 ALLEN ZN NI TR
12	M396	VIS CHC M10 X 80 ZN NI TR	SCREW CHC M10 X 80 ZN NI TR	TORNILLO CHC M10 X 80 ZN NI TR
13	M301	VIS FHC 8 X 20 1089 ZN NI TR	SCREW FHC 8 X 20 ZN NI TR	TORNILLO AVELLANADO M 8 X 20 ZN NI TR
14	M304	ECROU NYLSTOP M10 0368.10	NUT NYLSTOP M10	TUERCA NYLSTOP M10
15	M305	ECROU NYLSTOP M8 0368.8	NUT NYLSTOP M8	TUERCA NYLSTOP M8
16	C165	BOUCHON AXE BRAS OSCILLANT DIAM 35	COVER SWING ARM AXLE DIAM 35	TAPON EJE BASCULANTE DIAM 35
17	3021	RONDELE M10 BL DIN 7980	WASHER M10 BL DIN 7980	ARANDELA M10 BL DIN 7980
18	4872	RESSORTS REPOSE PIEDS TRIAL JEU	FOOTPEG SPRINGS KIT	MUELLES ESTRIBERAS JUEGO
19	M316	RONDELLE X 8 1405 08 ZN NI TR	WASHER X 8 ZN NI TR	ARANDELA 8 DIN 125 A ZN NI TR
20	6655	PATIN PROTECTEUR CADRE	FRAME PROTECTOR SLIDER	PATIN PROTECTOR CHASSIS
21	6654	ENTRETOISE PROTECTEUR CADRE	FRAME PROTECTOR BRUSH	CASQUILLO PROTECTOR CHASSIS
22	6658	VIS FHC 8 X 25 ZN NI TR	SCREW FHC 8 X 25 ZN NI TR	TORNILLO AVELLANADO M 8 X 25 ZN NI TR
23	7162	SUPPORT BATTERIE	BATTERY SUPPORT	SOPORTE BATERIA
24	7549	ENTRETOISE MOTEUR	SPACER FOOT ENGINE	CASQUILLO MOTOR
25	7184	SUPPORT MOTEUR ARRIÈRE	REAR ENGINE BRACKET	SOPORTE MOTOR TRASERO
26	H173	ANTIVOL DIRECTION END 50	STEERING LOCK ENDURO 50	ANTIROBO DIRECCION END 50

Fourche / Fork / Horquilla



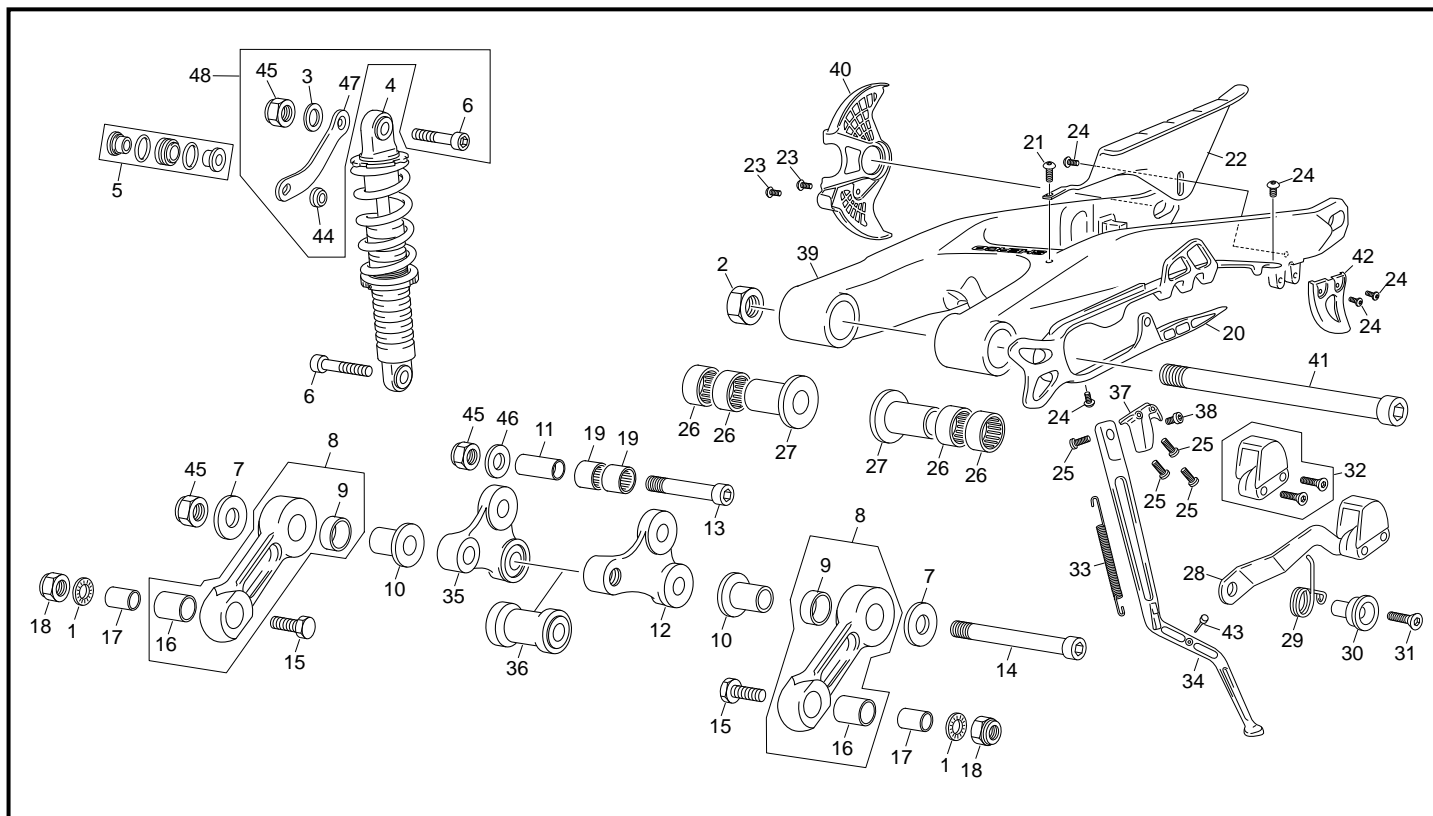
POS.	1.25	FRANÇAIS	ENGLISH	ESPAÑOL
1	6091	FOURCHE TRIAL 40	FORK TRIAL 40	HORQUILLA TRIAL 40
2	7883	BOUCHON FOURCHE	PLUG RIGHT	TAPÓN DERECHO HORQUILLA
3	7884	ENTRETOISE DE PRECHARGE	PRELOAD SPACER	CASQUILLO DE PRECARGA
4	7885	RESSORT D40 L450	SPRING D40 L450	MUELLE D40 L450
5	7886	BAS DE FOURCHE DROIT	RIGHT BOTTOM LEG	BOTELLA HORQUILLA DERECHA
6	7887	CARTOUCHE HYDRAULIQUE COMPLET	COMPLETE HYDRAULIC CARTRIDGE	CARTUCHO HIDRAULICO COMPLETO
7	5082	T FOURCHE INF 40	BOTTOM PLAT FORK 40	PLATINA INF HORQUILLA 40
8	5083	T FOURCHE SUP 40	UPPER PLAT FORK TRIAL 40	PLATINA SUP HORQUILLA 40
9	4555	BRIDE GUIDON INFIERIEURE TITANIUM TS 39	BRIDE INF HANDLEBAR TITANIUM TS 39	BRIDA INFERIOR MANILLAR TITANIO TS 39
10	R018	ECROU ALU AXE FOURCHE 2000 949125051	ALUMINIUM NUT FOR FRONT FORK AXLE	TUERCA EJE 2000
11	1237	VIS CHC 8 X 55 0084 ZN NI TR	SCREW CHC 8 X 55 ZN NI TR	TORNILLO 8 X 55 ALLEN ZN NI TR
12	M251	VIS CHC 6 X 16 0084 ZN NI TR	SCREW CHC 6 X 16 ZN NI TR	TORNILLO 6 X 16 DIN 912 ZN NI TR
13	7888	TUBE DE FOURCHE	FRONT FORK TUBE	BARRA HORQUILLA
14	4554	BRIDE GUIDON SUPERIEURE TITANIUM TS 39	BRIDE SUP HANDLE BAR TITANIUM TS 39	BRIDA SUPERIOR MANILLAR TITANIO TS 39
15	5386	RONDELLE ECROU ALU AXE DIRECTION LEGER	TOP TRIPLE CLAMP ALUMINIUM NUT LIGHT	TUERCA FIJACION ALU LIGERO
16	1166	AXE ALUMINIUM COLONE	AXIS ALUMINIUM DIRECTION PIPE	EJE ALUMINIO PIPA
17	7889	JOINT CACHE POUSSIERE	DUST COVER SEAL	RASCADOR
18	7890	CIRCLIP	CIRCLIP	ANILLO DE RETENCIÓN
19	7891	JOINT A LEVRE	LIP SEAL	RETEN
20	7893	BAS DE FOURCHE GAUCHE	LEFT BOTTOM LEG	BOTELLA HORQUILLA IZQUIERDA
21	7894	RONDELLE	WASHER	ARANDELA
22	7895	TORNILLO ALLEN M14X125	SCREW ALLEN M14X125	TORNILLO ALLEN M14X125
23	7896	TORNILLO ALLEN M8X25	SCREW ALLEN M8X25	TORNILLO ALLEN M8X25

Amortisseur - Bras oscillant / Rear Shock - Swingarm / Amortiguador - Basculante



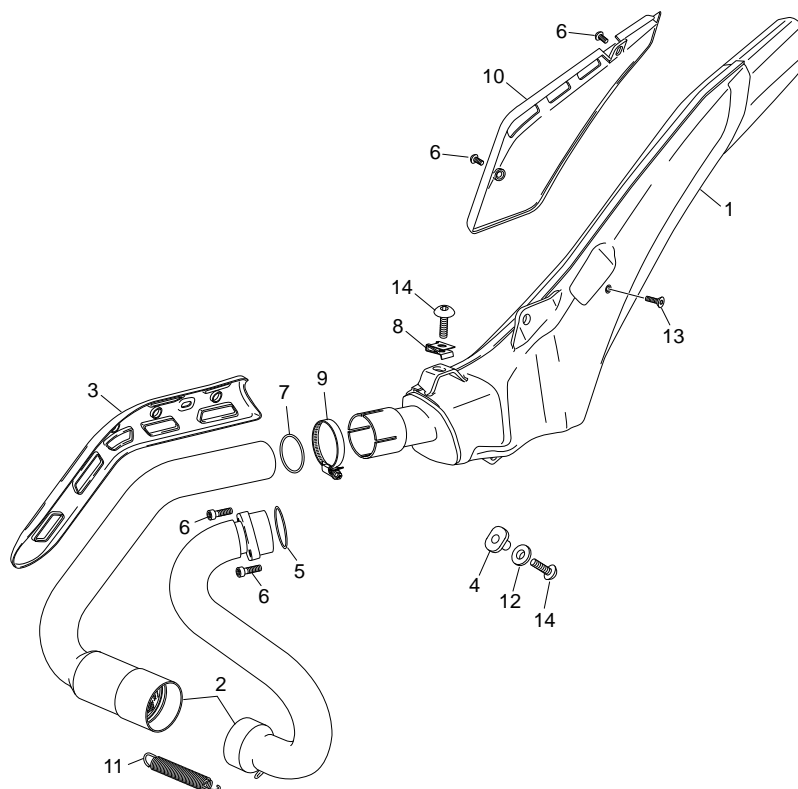
POS.	1.25	FRANÇAIS	ENGLISH	ESPAÑOL
1	1432	RONDELLE AET 8	WASHER X AET 8	ARANDELA AET 8
2	3144	ECROU 14 X 125 H 7.5 TR11	HEX NUT M14 X 125 H 7.5 TR11	TUERCA M14 X 125 H 7.5 TR11
3	M315	RONDELLE X 10 1405 010 ZN NI TR	WASHER X 10 ZN NI TR	ARANDELA X 10 DIN 125 A ZN NI TR
4	7175	AMORTISSEUR TRIAL OLLE TY	REAR SHOCK TRIAL OLLE TY	AMORTIGUADOR TRIAL OLLE TY
5	1685	KIT ROTULE AMORTISSEUR 24	SHORK ROTULE SET 24	KIT ROTULA AMORTGUADOR 24
6	7791	AXE M10 X 60	PIN M10 X 60	EJE M10 X 60
6	C407	VIS CHC M10 X 45 12.9	SCREW M10 X 45 12.9	TORNILLO M10 X 45 DIN 912 12.9
7	6621	RONDELLE 10 X 30 X 2.5 BELEVILLE ZN NI TR	WASHER 10 X 30 X 2.5 COUNTERSUNK ZN NI TR	ARAND. 10X30X2.5 DIN9021 EMBUTIDA ZN NI TR
7	M320	RONDELLE 10 X 30 X 2.5 0416 ZN NI TR	WASHER 10 X 30 X 2.5 ZN NI TR	ARANDELLA 10 X 30 X2.5 DIN 9021 ZN NI TR
8	3447	BIELETTE TIRANT SIMPLE TRIAL 2012	REAR SUSPENSION LINK TRIAL 2012	BIELETA SUSPENSION TRIAL 2012
8	C157	BIELETTE TIRANT SIMPLE VOIR 2947	REAR SUSPENSION LINK SEE 2947	BIELETA SUSPENSION VER 2947
9	2945	DOUILLE FRICTION 16X18X15	BEARING FRICTION 16X18X15	COJINETE FRICCIÓN 16X18X15
10	C171	ENTRETOISE TIRANT EPAULEE	LINK SPACER	CASQUILLO BIELETA CON ARANDELA
11	C152	ENTRETOISE SUSPENSION	SPACER SUSPENSION	CASQUILLO SUSPENSION
12	2930	BIELETTE DELTA TRIAL 2010	REAR SUSPENSION DELTA LINK TRIAL 2010	TRAPECIO SUSPENSION TRIAL 2010
13	C174	AXE 10 X 72 12.9 ZN NI TR - TL 180°	PIN 10 X 72 12.9 ZN NI TR - TL 180°	EJE 10 X 72 12.9 ZN NI TR - TL 180°
14	C172	AXE 10 X 120 12.9 ZN NI TR - TL 180°	PIN 10 X 120 12.9 ZN NI TR - TL 180°	EJE 10 X 120 12.9 ZN NI TR - TL 180°
15	C175	VIS HEXA TETE BASSE 8.8 ZN NI TR	SPECIAL HEAD SCREW HEX 8.8 ZN NI TR	TORNILLO HEX C/REBAJADA 8.8 ZN NI TR
16	2946	DOUILLE FRICTION 14X16X15	BEARING FRICTION 14X16X15	COJINETE FRICCIÓN 14X16X15
17	C170	ENTRETOISE TIRANT	LINK SPACER	CASQUILLO BIELETA
18	M304	ECROU NYLSTOP M10 0368.10	NUT NYLSTOP M10	TUERCA NYLSTOP M10
18	M305	ECROU NYLSTOP M8 0368.8	NUT NYLSTOP M8	TUERCA NYLSTOP M8
19	C167	DOILLER AIGUILLE BRAS/ SUSP HK 16X20X2RS	BEARING HK 16202RS	CASQUILLO AGUJAS BASCU/SUSP HK16202RS
20	1207	PATIN DE CHAINE 07 TRIAL	CHAIN GUIDE PLATE 07 TRIAL	PATIN CADENA 07 TRIAL
21	M258	VIS BHC 5 X 16 1093 ZN NI TR	SCREW BHC 5 X 16 ZN NI TR	TORNILLO 5 X 16 ULS ZN NI TR
22	1208	CARTER DE CHAINE 07	CHAIN PROTECTOR 07	CUBRE CADENAS 07
23	M282	VIS BHC 6 X 10 1093 ZN NI TR	SCREW BHC 6 X 10 ZN NI TR	TORNILLO 6 X 10 BHC ZN NI TR
24	M278	VIS BHC 5 X 10 1093 ZN NI TR	SCREW BHC 5X10 ZN NI TR	TORNILLO 5 X 10 ULS ZN NI TR
25	M281	VIS BHC 8 X 12 1093 ZN NI TR - TL 180°	SCREW BHC 8 X 12 ZN NI TR - TL 180°	TORNILLO 8 X 12 ULS ZN NI TR - TL 180°
26	C151	DOUILLE AIGUILLE BRAS HK 20X20X2 RS	BEARING HK 20X20X2RS	CASQUILLO AGUJAS BASCULANTE HK20X20X2RS
27	C153	ENTRETOISE ARTICULATION BRAS	SPACER SWING ARM	CASQUILLO EJE BASCULANTE
28	C164	TENDEUR DE CHAINE	CHAIN TENSIONER	TENSOR CADENA
29	R205	RESSORT TENDEUR DE CHAINE	SPRING CHAIN TENSIONER	MUELLE TENSOR CADENA
30	R206	ENTRETOISE TENDEUR DE CHAINE	SPECER CHAIN ADJUST	CASQUILLO TENSOR CADENA
31	M300	VIS FHC 8 X 35 1089 ZN NI TR - TL 180°	SCREW FHC 8 X 35 ZN NI TR - TL 180°	TOR. AVELLANADO M8 X 35 ZN NI TR - TL 180°

Amortisseur - Bras oscillant / Rear Shock - Swingarm / Amortiguador - Basculante



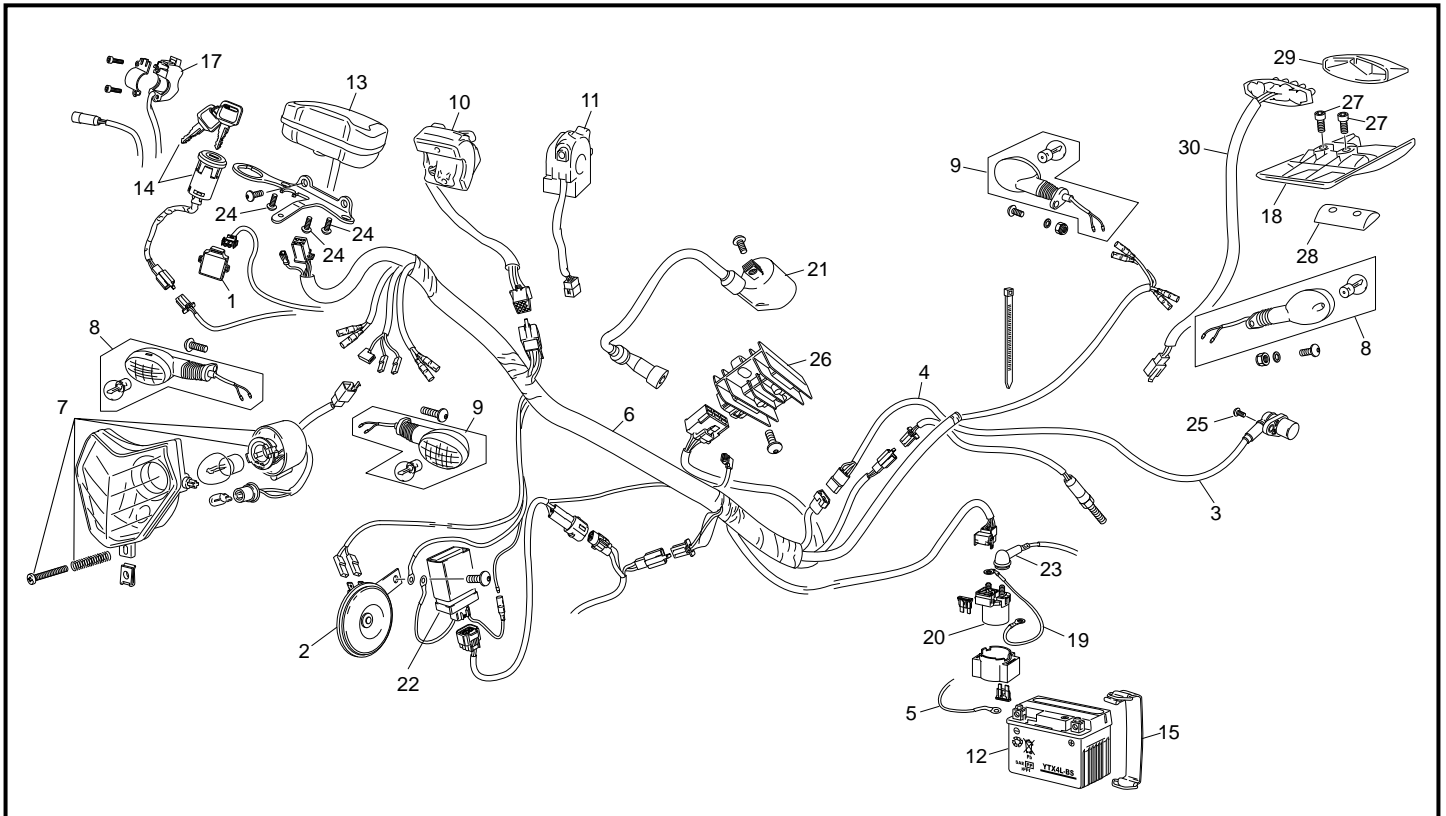
POS.	1.25	FRANÇAIS	ENGLISH	ESPAÑOL
32	R047	CAOUTCHOUC TENDEUR SEUL	CHAIN STRETCHER PLATE	GOMA TENSOR CADENA
33	C161	RESSORT DE BEQUILLE	SIDE STAND SPRING	MUELLE CABALLETE
34	4559	BEQUILLE SEULE ALU NOIR	LATERAL STAND BLACK	CABALLETE ALUMINIO NEGRO
35	3444	BIELETTE DELTA SEMI D TRIAL 2012	REAR SUSPENSION HALF R DELTA LINK TRIAL 2012	TRAPECIO SUSPENSION SEMI D TRIAL 2012
36	3446	ENTRETOISE BIELETTE DELTA TRIAL 2012	DELTA LINK SPACER TRIAL 2012	CASQUILLO TRAPECIO SUSPENSION TRIAL 2012
37	4542	SUPPORT DE BEQUILLE SANS BUTEE NOIR	STAND HOLDER WITHOUT RETAIN BLACK	SOPORTE CABALLETE SIN TOPE NEGRO
38	C166	VIS SPECIALE BEQUILLE ZN NI TR	SIDE STAND SPECIAL BOLT ZN NI TR	TORNILLO ESPECIAL CABALLETE ZN NI TR
39	3598	BRAS OSCILLANT 12	SWINGARM 12	BASULANTE 12
40	2024	PROTECTEUR DISC ARIERE 09 NOIR TR	PROTECTOR BRAKE DISC BACK 09 BLACK	PROTECTOR DISCO TRASERO NEGRO 09
41	5190	AXE BRAS OSCILLANT	ALUMINIUM SWINGARM AXLE FINE	EJE BASCULANTE ALUMINIO FINO
42	2026	PROTECTEUR COURRONE NOIR TR	PROTECTEUR SPROKET BLACK TR	PROTECTOR CORONA NEGRO TR
43	1663	CAUTCHOUC DE MAINTIEN DE BEQUILLE TRIAL 08	STAND SIDE RUBER TRIAL 08	GOMA CABALETE 08
44	7790	ENTRETOISE ÉCHAPPEMENT	EXHAUST SPACER	CASQUILLO ESCAPE
45	M304	ECROU NYLSTOP M10 0368.10	WASHER X 10 ZN NI TR	ARANDELA X 10 DIN 125 A ZN NI TR
46	M315	RONDELLE X 10 1405 010 ZN NI TR	SCREW BHC 5 X 16 ZN NI TR	TORNILLO 5 X 16 ULS ZN NI TR
47	7789	SUPPORT ÉCHAPPEMENT	EXHAUST BRACKET	SOPORTE ESCAPE
48	7892	KIT SUPPORT ÉCHAPPEMENT	EXHAUST BRACKET KIT	CONJUNTO SOPORTE ESCAPE

Radiateur-Échappement / Radiator-Exhaust / Radiador-Escape



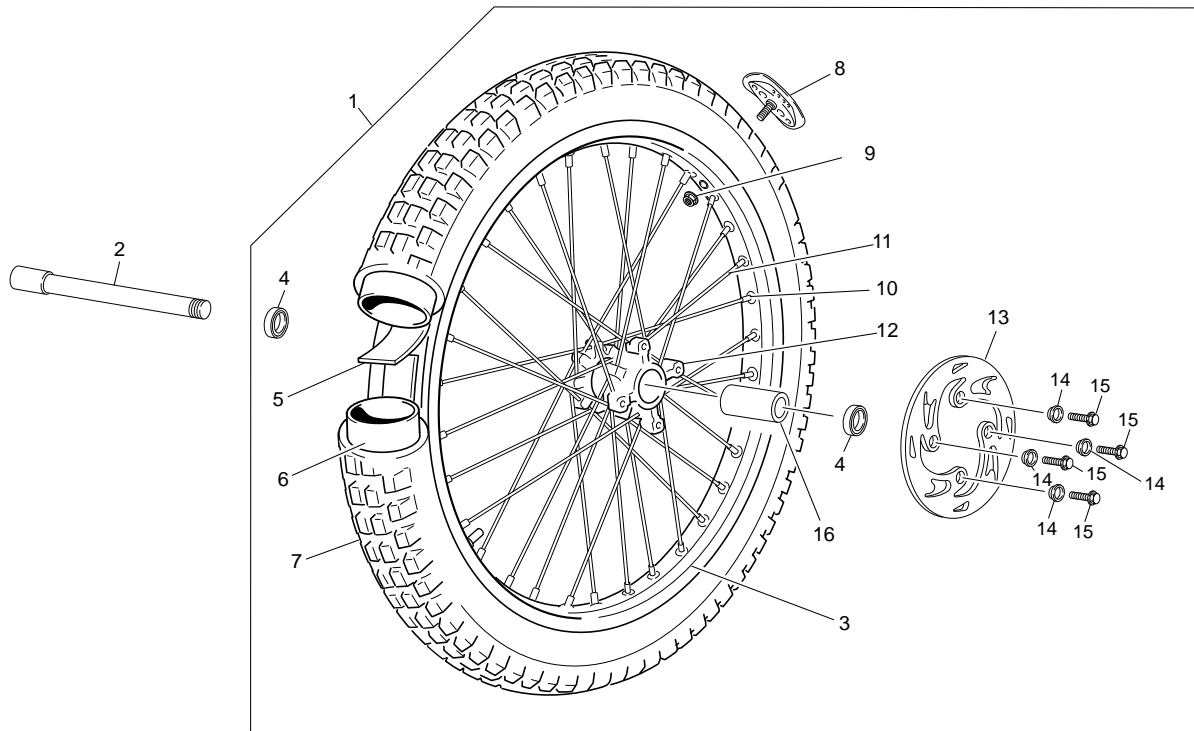
POS.	1.25	FRANÇAIS	ENGLISH	ESPAÑOL
1	7153	SILENCIEUX TY125	REAR EXHAUSS TY 125	SILENCIADOR TY 125
2	7155	TUBE ECHAPPEMENT HOMOLOGUÉ TY125	HOMOLOGATED EXHAUST PIPE TY125	TUBO ESCAPE HOMOLOGADO TY125
3	7165	TOLE PROTECTION THERMIQUE	STEEL PROTECTION THERMIC	CHAPA PROTECCION CALORICA
4	3193	ENTRETOISE SILENTBLOCK	SILENTBLOCK BUSHING	CASQUILLO SILENTBLOCK
5	1766	JOINT ECHAPPEMENT	EXHAUST GASKET	JUNTA ESCAPE
6	2937	VIS BHC 5 X8 ISO 7380	SCREW BHC 5 X8	TORNILLO UL5 5 X 8 ISO 7380
7	7169	JOINT GRAPHITE 35X39X35	GRAPHITE GASKET 35X39X35	JUNTA GRAPHITE 35X39X35
8	M308	ECROU CLIP M6	CLIP NUT M6	TUERCA CLIP M6
9	7182	COLLIER 40/43	COLLIER 40/43	ABRAZADERA 40/43
10	5509	PROTECTEUR SILENCIEUX	SILENCER PROTECTION	PROTECCIÓN SILENCIADOR
11	3086	RESSORT	SPRING	MUELLE
12	3194	CAUTCHOUC SILENTBLOCK	SILENTBLOCK	SILENTBLOCK
13	6593	VIS FHC 8 X 20	SCREW FHC 8 X 20	TORNILLO FHC 8 X 20
14	M268	VIS FHC 6 X 16	SCREW FHC 6 X 16	TORNILLO FHC 6 X 16

Faisceau électrique / Electrical system / Instalación eléctrica



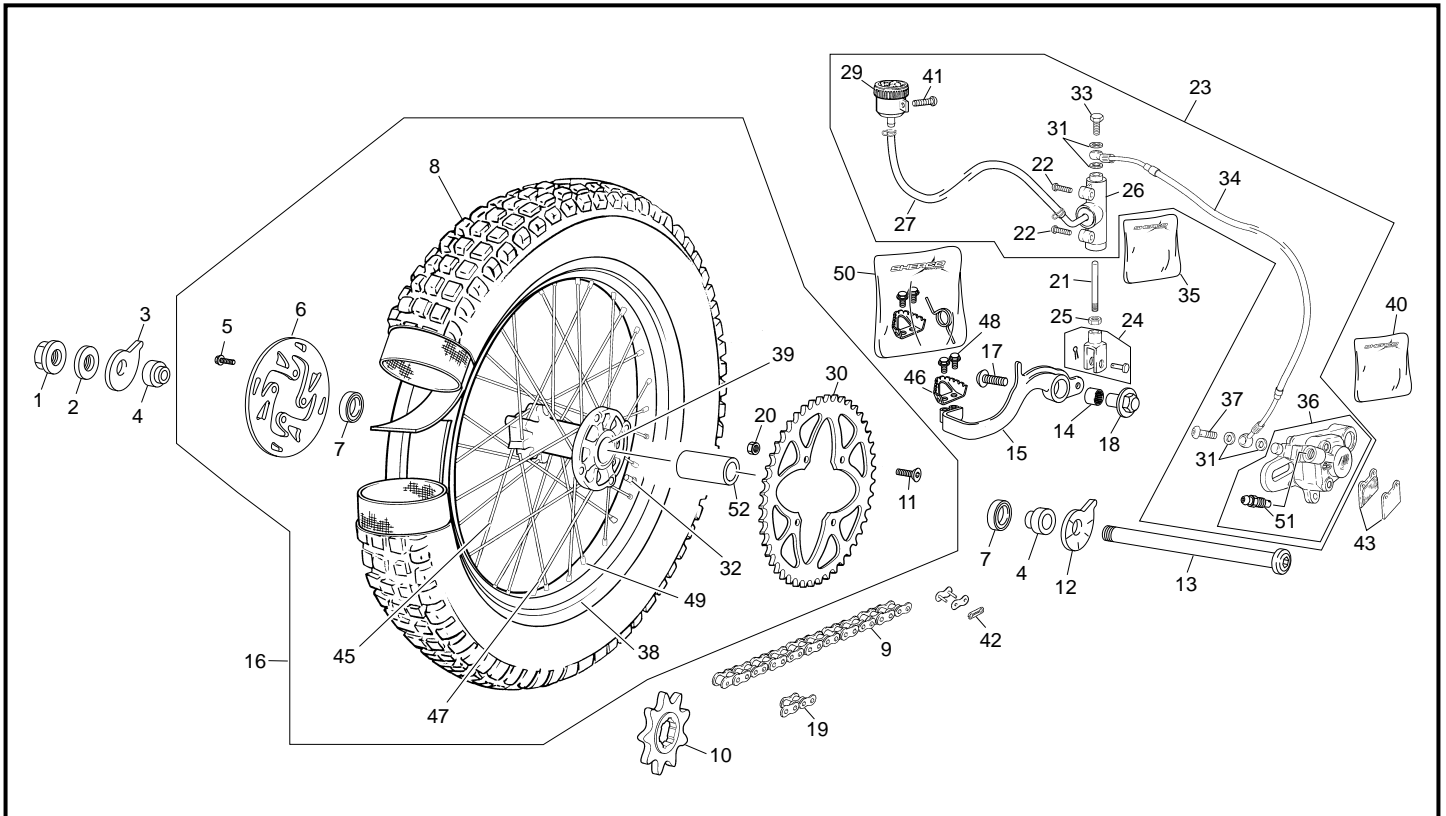
POS.	1.25	FRANÇAIS	ENGLISH	ESPAÑOL
1	0364	CENTRALE CLIGNOTANT	INDICATIVE LIGHT SYSTEM	CENTRAL INTERMITENCIA
2	0447	CLAXON	HORN	CLAXON
3	7037	FAISCEAU PRINCIPAL 1	INSTALATION PRINCIPAL 1	INSTALACION PRINCIPAL 1
4	7437	FAISCEAU LUMIÈRE	LIGHT ELECTRIC CABLE	INSTALACION LUZ
5	7040	FAISCEAU MASSE BATERIE TY125	INSTALLATION WEIGHT BATTERIE TY125	INSTALACION MASA DE BATERIA TY125
6	7038	FAISCEAU PRINCIPAL 2	INSTALLATION PRINCIPAL 2	INSTALACION PRINCIPAL 2
7	3053	OPTIQUE OPTIQUE PHARE END/SM EVO	FRONT LIGTH HOMOLATE CE TY125	OPTICA HOMOLOGADA CE TY125
8	S234	CLIGNOTEUR AVD/ARG	TURN LIGHT FR./RI. & REAR/LEFT	INTERMITENTE DEL.DER./TRAS.IZQ
9	S233	CLIGNOTEUR AVG/ARD	TRUN LIGHT FRONT/LEFT REAR/RIGHT	INTERMITENTE DEL./IZQ. TRAS./DER.
10	H431	COMMODO ELECT./COMANDE EMB 50 06	ELECTRONIC COMMAND 50	COMANDO ELECTRICO 50
11	0413	COMMODO GAUCHE END 450	SWITCH LEFT END 450	COMODO ELECTRIC END 450
12	1442	BATTERIE SLA12-4 AMP 125 E3	BATTERY SLA12-4 AMP 125 E3	BATERIA SLA12-4 AMP 125 E3
13	7032	COMPTEUR DE VITESSE + CAPTEUR REED	SPEEDOMETER + SENSOR REED	VELOCIMETRO + CAPTOR REED
14	4328	BLOC CLE DEMARRAGE	BLOC KEY STARTER	BLOC LLAVE ARRANQUE
15	2545	SANGLE FIXATION BATERIE TRIDE	FIXED BATTERY BELT	CORREA FIXACION BATERIA TRIDE
16	7550	SUPPORT COMPTEUR	SUPPORT SPEEDOMETER	SOPORTE CUENTA
17	H152	BOUTON DEMARREUR DROIT 125 END SM	RIGHT START ELECT. COMM. 125 END SM	COMANDO ARANQUE DER. 125 END SM
18	2048	SUPPORT FEU ARRIERE	REAR LIGHT SUPPORT	SOPORTE LUZ TRASERA
19	7039	FAISCEAU DEMARREUR	ELECTRIC STARTER INSTALLATION	INSTALACIÓN ARANQUE ELECTRICO
20	3438	RELE DEMARREUR TY125	STARTER RELEY TY125	STARTER RELEY TY125
21	3439	BOBINE	IGNITION COIL ASSY	BOBINA
22	3440	CDI COMPLET TY125	CDI UNIT ASSY TY125	CDI COMPLETO TY125
23	7551	FAISCEAU BATERIE RELAIS	INSTALLATION BATTERY RELAY	INSTALACIÓN BATERIA RELÉ
24	2937	VIS BHC 5 X 8 ISO 7380	SCREW BHC 5 X 8	TORNILLO ULS 5 X 8 ISO 7380
25	M251	VIS CHC 6 X 16 0084	SCREW CHC 6 X 16	TORNILLO 6 X 16 DIN 912
26	3437	REGULATEUR RECTIFIEUR TY125	REGULATEUR RECTIFIER TY125 4T	REGULADOR RECTIFICADOR TY125
27	2052	VIS BHC 5 X 20	SCREW BHC 5 X 20	TORNILLO BHC 5 X 20
28	2047	FIXATION SUPPORT IMMATRICULATION	LICENCE PLATE SUPPORT	SOPORTE PLACA IMATRICULACIÓN
29	2049	VITRE FEU ARRIERE	REAR LIGHT GLASS	VIDRIO LUZ TRASERA
30	2035	LEDS FEU ARRIERE	REAR LIGHT LEDS	LEDS LUZ TRASERA

Roue avant / Front wheel / Rueda delantera



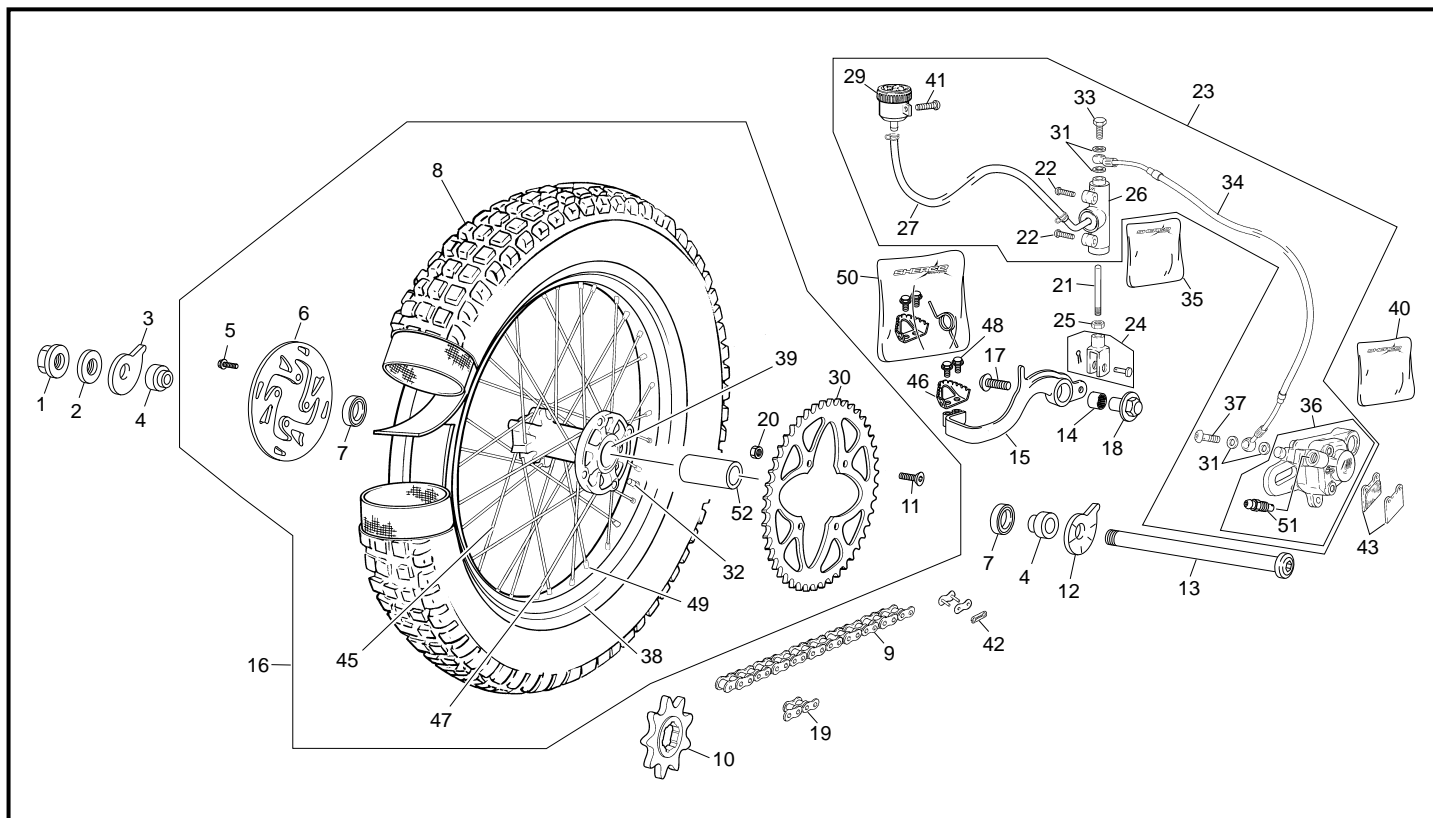
POS.	1.25	FRANÇAIS	ENGLISH	ESPAÑOL
1	7767	ROUE AVANT TR. NOIRE + MOYEU ALU	FRONT WHEEL TR BLACK + HUB ALU	FRONT WHEEL TR BLACK + HUB ALU
2	5385	AXE DE ROUE AVANT TS F	FRONT WHEEL AXLE TS F	FRONT WHEEL AXLE TS F
3	C759	JANTE AVANT 1.60X21 32	FRONT RIM 1.60X21 32	FRONT RIM 1.60X21 32
4	R049	ROULEMENT DE MOYEU 6004 2RS VOIR REF 0175	BEARING HUB 6004 2RS SEE REF 0175	BEARING HUB 6004 2RS SEE REF 0175
5	C201	RUBAN FOND DE JANTE R14025	RIM RUBBER PROTECTION	RIM RUBBER PROTECTION
6	C202	CHAMBRE A AIR 21AB	21 TUBE	21 TUBE
7	4352	PNEU AVANT	FRONT TIRE TRIAL	FRONT TIRE TRIAL
8	C203	GRIPSTER	TYRE STAY	TYRE STAY
9	M305	ECROU NYLSTOP M8 0368.8	NUT NYLSTOP M8	NUT NYLSTOP M8
10	R048	ECROU DE RAYON AVANT M3.5X0.60	FRONT NEEPLE SPOCKE M3.5X0.60	FRONT NEEPLE SPOCKE M3.5X0.60
11	C382	RAYON 257 X 3	SPOCKE 257 X 3	SPOCKE 257 X 3
12	C320	MOYEU AVANT	FRONT HUB	FRONT HUB
13	2001	DISQUE FREIN AVANT TR	FRONT DISC TR	FRONT DISC TR
14	C209	ENTRETOISE DISQUE AVANT	SPACER DISC	SPACER DISC
15	C452	VIS HEXAGONAL EPAULE M6 X 18	SCREW EXAGONAL M6 X 18	SCREW EXAGONAL M6 X 18
16	5930	ENTRETOISE INTERNE MOYEU AVANT TRIAL	FRONT HUB SPACER TRIAL	FRONT HUB SPACER TRIAL

Roue arrière avec système Braktec / Rear wheel with Braktec system/ Rueda trasera con sistema Braktec



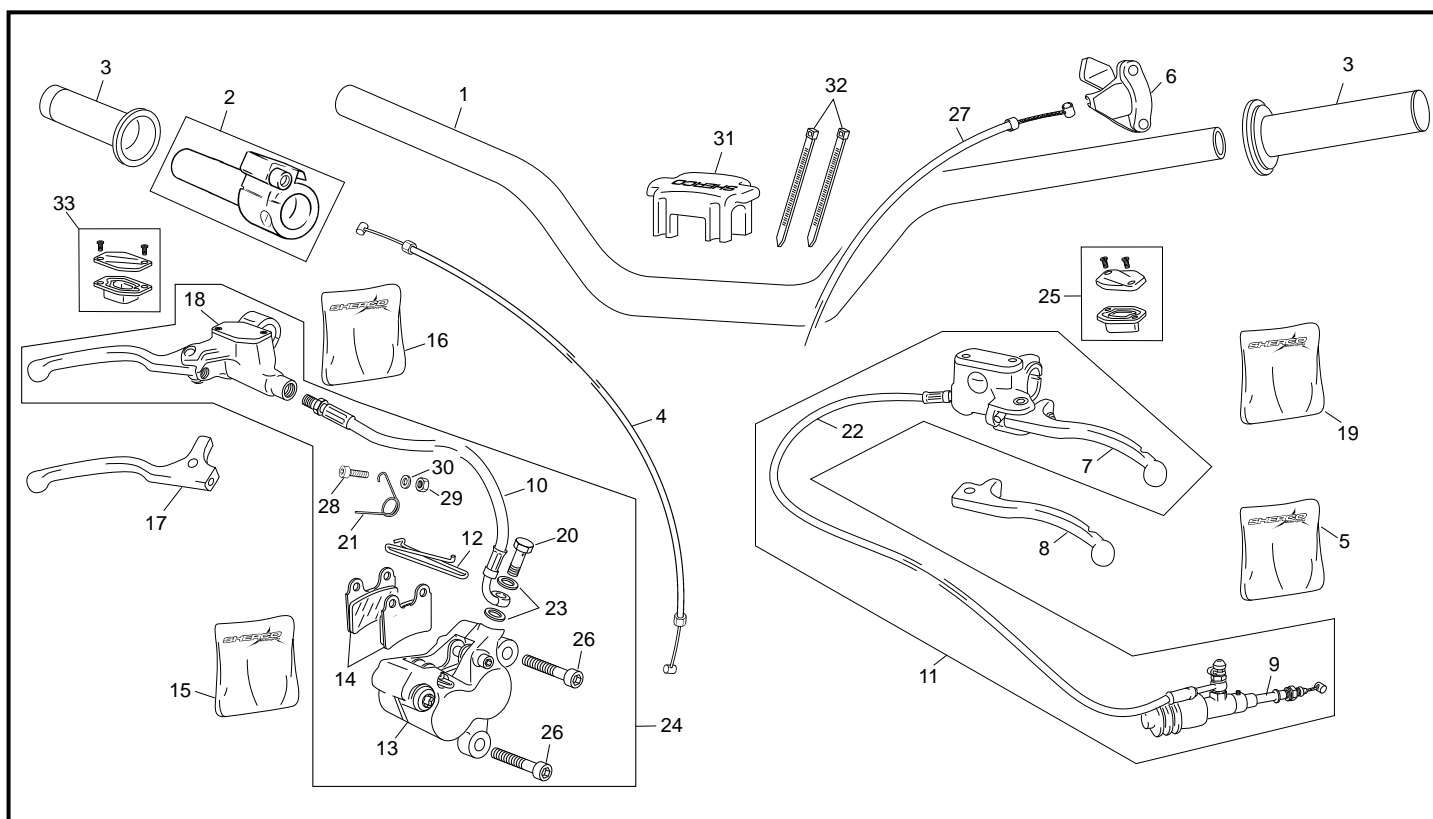
POS.	1.25	FRANÇAIS	ENGLISH	ESPAÑOL
1	C253	ECROU ROUE ARRIERE	REAR AXLE NUT	TUERCA EJE RUEDA TRASERA
2	M314	RONDELLE X 16 1405 016 ZN NI TR	WASHER X 17 ZN NI TR	ARANDELA X 17 ZN NI TR
3	4595	EXCENTRIQUE DROIT NOIRE TENDEUR CHAINE	RUNNER CHAIN BLACK	EXCENTRICA DERECHA NEGRA
4	3951	ENTRETOISE ROUE ARRIERE FMLA	REAR BRUSH FMLA	SEPARADOR RUEDA TRASERA FMLA
4	C255	ENTRETOISE ROUE ARRIERE	REAR BRUSH	SEPARADOR RUEDA TRASERA
5	C452	VIS HEXAGONAL EPAULE M6 X 18	SCREW EXAGONAL M6 X 18	TORNILLO EXAGONAL M6 X 18
6	2002	DISQUE FREIN ARRIERE TR	REAR DISC TR	DISCO FRENO TRASERO TR
7	R049	ROULEMENT DE MOYEU 6004 2RS VOIR REF 0175	BEARING HUB 6004 2RS SEE REF 0175	RODAMIENTO BUJE 6004 2RS VER REF 0175
8	4351	PNEU ARRIERE	REAR TYRE TRIAL	NEUMATICO TRIAL
9	7178	CHAINE 128M 428	CHAIN 128L 428	CADENA 128M 428
10	7168	PIGNON 10 D	SPROCKET 10 T	PINON 10 D
11	M287	VIS BHC 8 X 22	SCREW BHC 8 X 22	TORNILLO BHC 8 X 22
12	4596	EXCENTRIQUE GAUCHE NOIRE TENDEUR CHAINE	LEFT REAR AXLE EXCENTRIC BLACK	EXCENTRICA IZQUIERDA NEGRA
13	4594	AXE ROUE ARRIERE NOIR	AXELE BACK WHEEL BLACK	EJE RUEDA TRAS NEGRO
14	2299	DOUILLE BRONZE PEDALE FREIN TR	BEARING	CASQUILLO BRONCE PEDAL FRENO TR
15	7163	PEDALE DE FREIN NOIR	REAR BRAKE PEDAL BLACK	PEDAL FRENO TRASERO NEGRO
16	7768	ROUE ARRIERE TR NOIRE +MOYEU ALU	BACK WHEEL TR BLACK + HUB WHITE ALU	RUEDA TRAS TR GRAFITO+BUJE ALU
17	M280	VIS BHC 8 X 16 1093 ZN NI TR - TL 180°	SCREW BHC 8 X 16 ZN NI TR - TL 180°	TORNILLO 8 X 16 ULS ZN NI TR - TL 180°
18	5076	ENTRETOISE PEDALE DE FREIN INTEGRALE	SPACER BRAKE PEDAL INTEGRAL	CASQUILLO PEDAL DE FRENO INTEGRAL
19	655	VIS M5 X 10	SCREW M5X10	TORNILLO M5X10
20	M305	ECROU NYLSTOP M8 0368.8	NUT NYLSTOP M8	TUERCA NYLSTOP M8
21	C261	TIGE FREIN ARRIERE	PIN BRAKE ROD	TIJA PEDAL FRENO TRASERO
22	M283	VIS BHC 6 X 16 1093 ZI BL	SCREW BHC 6 X 16	TORNILLO 6 X 16 ULS CIN BLA
22	M284	VIS BHC 6 X 25 ACZI NOIRE ZN NI TR	SCREW BHC 6 X 25 NEGRO ZN NI TR	TONILLO 6 X 25 ULS BLACK ZN NI TR
23	C321	GROUPE FREIN ARRIERE	REAR BRAKE COMPLETE	CTO FRENO TRASERO
24	C259	CHAPE PEDALE FREIN 0267	REAR BRAKE ROD	HORQUILLA PEDAL DE FRENO
25	M309	ECROU STANDARD M6 0317	NUT M6	TUERCA M6
26	C385	POMPE FREIN AR 9.5	REAR MASTER CYLINDER 9.5	BOMBA FRENO TRASERO 9.5
27	R069	TUBE LIQUIDE FREIN BOCAL/POMPE L 210	OIL TANK TUBE L 210	TUBO LIQUIDO FRENO L 210
29	R066	BOCAL LIQUIDE FREIN	OIL TANK BRAKE	DEPOSITO LIQUIDO FRENO
30	2615	COURONNE 57Z	REAR SPROCKET Z57	CORONA 57D
31	R074	RONDELLE BANJO CUIVRE 10X14X1.5	WASHER COPPER 10X14X1.5	ARANDELA BANJO COBRE 10X14X1.5
32	3631	VALVE AR JANTE NER	TUBLESS VALVE RIM NER	VALVULA LLANTA NERVIO
33	R058	CAPUCHON VIS DE PURGE	HOOD SCREW PURGE	TAPON SANGRADOR
34	C388	DURITE FREIN ARRIERE TRIAL	REAR BRAK HOSE TRIAL	LATIGUILLO FRENO TRASERO TRIAL

Roue arrière avec système Braktec / Rear wheel with Braktec system/ Rueda trasera con sistema Braktec



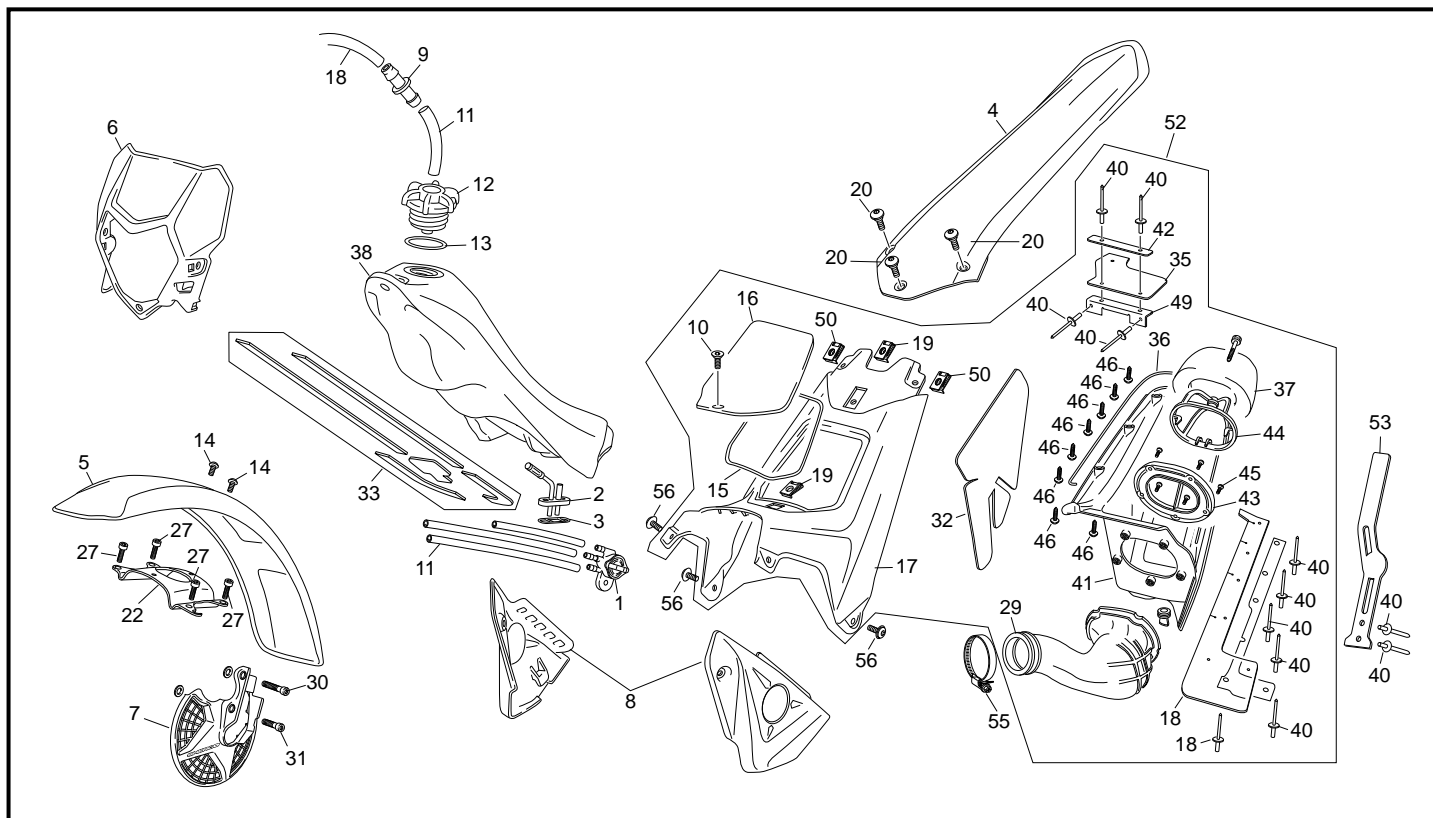
POS.	I.25	FRANÇAIS	ENGLISH	ESPAÑOL
35	R233	KIT REPARATION POMPE FREIN AR TRIAL	REAR MASTER CYLINDER SEAL KIT TRIAL	KIT REPARATION PINZA FRENO TRIAL
36	C386	ETRIER FREIN ARRIERE 2002	REAR CALIPER 2002	PINZA FRENO TRASERO 2002
37	R059	VIS RACCORD M10 X 21 HEXA	LINK SCREW M10 X 21 HEXA	TORNILLO RACORD M10 X 21HEXA
38	C760	JANTE ARRIERE NOIRE NERVURE 32 RAYONS	REAR RIM BLACK NERVE 32 R	LLANTA TRASERA NEGRO NERVADA 32 R
39	C323	MOYEU ARRIERE	REAR HUB	BUJE TRASERO
40	R235	KIT ETRIER ARRIERE 2002	KIT CALIPER BACK 2002	KIT PINZA FRENO TR 2002
41	M282	VIS BHC 6 X 10 1093 ZN NI TR	SCREW BHC 6 X 10 ZN NI TR	TORNILLO 6 X 10 BHC ZN NI TR
42	7870	ATTACHE RAPIDE DE CHAINE 428	428 CONNECTING LINK	428 ENGANCHE CADENA
43	C390	PLAQUETTES FREIN ARRIERE TRIAL PAIRE	REAR PAD BRAKE TRIAL PAIR	JUEGO PASTILLAS TRASERO TRIAL
45	C379	RAYON COTE DISQUE	SPOCKE SIDE BRAKE	RADIO LADO DISCO
46	2153	EMBOUT PÉDALE FREIN	POINT BREAK PEDAL	PUNTERA PEDAL FRENO
47	C380	RAYON COTE TRANS	SPOCKE SIDE TRANS	RADIO LADO CORONA
48	O655	VIS THEP M5X10	SCREW THEP M5X10	TORNILLO THEP M5X10
49	R067	TENDEUR RAYON AR	REAR NIPPLE SPOKE	TENSOR RADIO TRASERO
50	2153	EMBOUT PEDALE DE FREIN	REAR BRAKE LEVER MOUTHPIECE	PUNTA PEDAL FRENO TRASERO
51	R400	PURGEUR M6 ETRIER	PURGE SCREW M6	SANGRADOR M6 BOMBA TRAS
52	5931	ENTRETOISE INTERNE MOYEU AR TRIAL	REAR HUB SPACER REAR TRIAL	SEPARADOR INT BUJE TRA TRIAL

Guidon avec système Braktec / Handlebar with Braktec system / Manillar con sistema Braktec



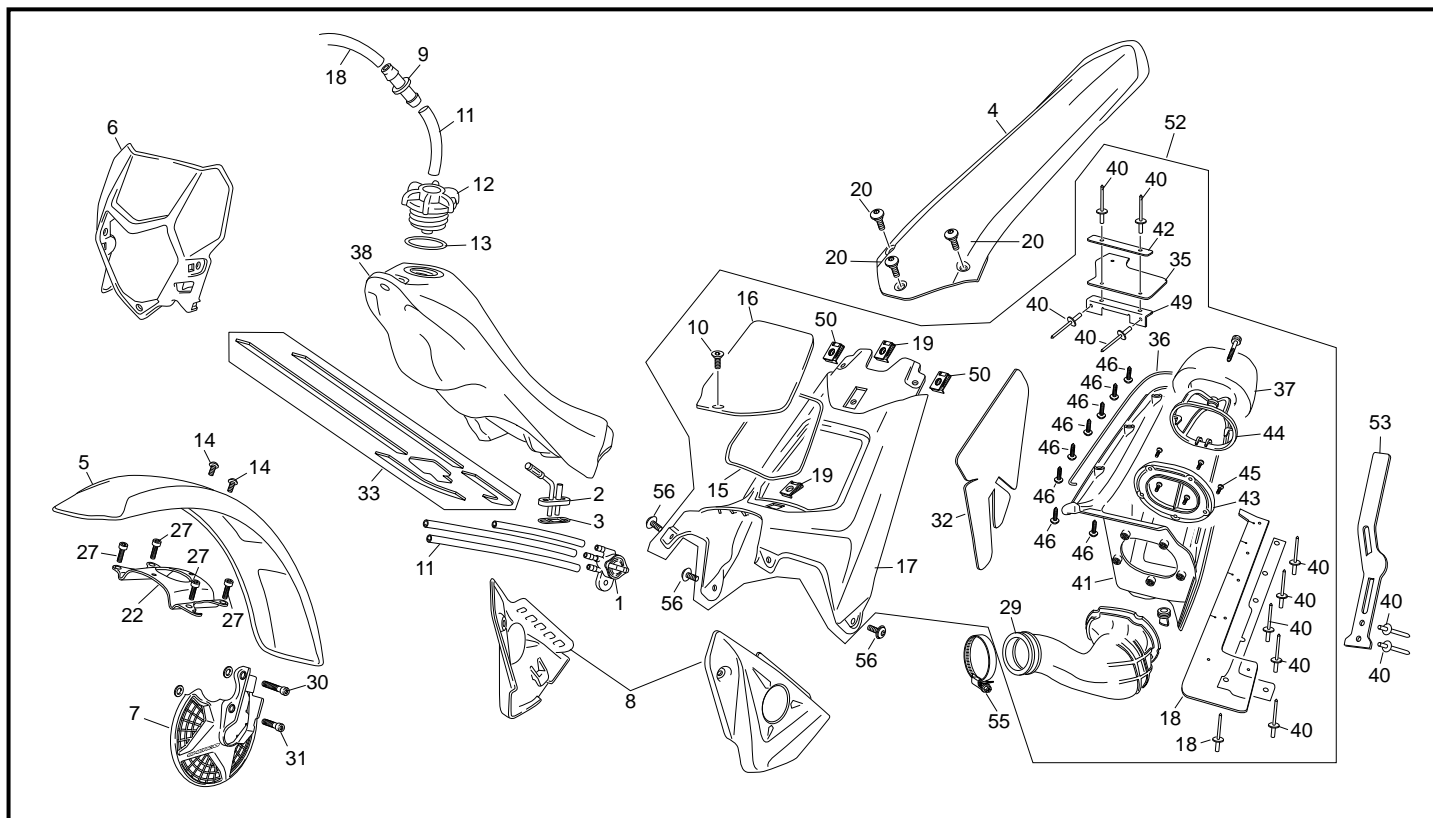
POS.	1.25	FRANÇAIS	ENGLISH	ESPAÑOL
1	5512	GUIDON TRIAL NOIR	HANDLEBAR TRIAL BLACK	MANILLAR TRIAL NEGRO
2	C074	COMMANDE DE GAZ OXIA	THROTTLE CONTROL OXIA	MANDO DE GAS OXIA
3	1662	POIGNEE CAOUCHEUC PAIRE REA OXIA	GRIPS SET REA OXIA	JUEGO EMPUNADURAS REA OXIA
4	7173	CABLE DE GAZ	THROTTLE CABLE	CABLE DE GAS
5	7563	KIT PISTON EMETEUR	PISTON CLUTCH KIT	KIT PISTON EMPUJADOR
6	7399	COMMANDE DE STARTER	CHOKE LEVER	MANETA DE STARTER
7	7560	POMPE EMB CPL BRAKTEC BRIDE	CLUTCH FRONT PUMP ASSY BRAKTEC	CTO BOMBA EMB BRAKTEC CON BRIDA
8	5523	LEVIER EMBRAYAGE BRAKTEC	LEVER CLUCH BRAKTEC	MANETA EMBRAGUE BRAKTEC
9	7562	RECEPTEUR EMBRAYAGE ED COMPLETE	KIT COMPLET PISTON SLAVE ED	EMPUJADOR EMBRAGUE ED COMPLETO
10	5531	DURITE FREIN AVANT BRAKTEC	FRONT BRAKE HOSE BRAKTEC	LATIGUILLO FRENO DELANTERO BRAKTEC
11	7171	GROUPE CPL EMB BRAKTEC	COMPLETE CLUTCH SET BRAKTEC	GRUPO EMBRAGUE COMPLETO BRAKTEC
12	R042	CLIP PLAQUETTES	CLIP PAD BRAKE	MUELLE PASTILLAS FRENO
14	5524	CORPS ETRIER FREIN AVANT DOUBLE PIST. BRAKTEC	BODY FRONT CALIPER 2 PISTON BRAKTEC	CUERPO PINZA FRENO DEL DOBLE PISTON BRA.
15	C389	PLAQUETTES FREIN AVANT PAIRE 2002	FRONT PAD BRAK PAIR 2002	JUEGO PASTILLAS FRENO DEL JUEGO 2002
16	5525	KIT REPARATION PISTON POMPE BRAKTEC	PISTON KIT 10 MM BRAKTEC	KIT REPARACION PISTON BOMBA BRAKTEC
17	6600	KIT REPARATIONJ PIST. POMPE FREIN AV BRAKTEC	FRONT BRAKE PISTON KIT BRAKTEC	KIT REPARACION PISTON BOMBA FRENO BRA.
18	5519	LEVIER FREIN AVANT BRAKTEC	FRONT BRAKE LEVER BRAKTEC	MANETA FRENO DEL BRAKTEC
19	6599	POMPE FREIN AV CPL AV BRIDE BRAKTEC	FRONT PUMP ASSY BRAKTEC	BOMBA FRENO DEL CON BRIDA BRAKTEC
21	7561	KIT REPARATION PISTON EMB BRAKTEC ED	PISTON CLUTCH KIT BRAKTEC ED	KIT REPARACION PISTON EMBRAGUE BRAKTEC ED
22	5527	VIS BHC 6 X 16 CARROSSERIE NOIR	SCREW BHC 6 X 16 CARROSSERIE BLACK	TORNILLO 6 X 16 ESPECIAL CARROCERIA NEGRO
23	R043	GUIDE DURITE FREIN AV	GUIDE FRONT BRAKE HOSE	GUIA LATIGUILLO
24	7564	DURITE EMBRAYAGE BRAKTEC	CLUTCH HOSE BRAKTEC	LATIGUILLO EMBRAGUE BRAKTEC
25	3213	RONDELLE BANJO M8 (VOIR 2860)	ALUMINIUM SEAL M8 (SEE 2860)	ARANDELLA BANJO M8 (VER 2860)
26	6422	GROUPE FREIN AVANT DOUBLE PIST. BRAKTEC	FRONT BRAKE GROUP COMPLETE BRAKTEC	CTO FRENO DELANTERO DOBLE PISTON BRA.
27	5522	KIT RESERVOIR POMPE EMB	MASTER CYLINDER COVER KIT	KIT TAPA DEP. BOMBA
28	R236	AXE ETRIER FREIN AV DL/PISTON	PIN FRONT CALIPER DL PISTON	EJE PINZA FRENO DL/PISTON
29	7174	CABLE DE STARTER	CHOKE CABLE	CABLE DE STARTER
30	M283	VIS BHC 6 X 16 1093 ZI BL	SCREW BHC 6 X 16	TORNILLO 6 X 16 ULS CIN BLA
31	M306	ECROU NYLSTOP M6 0368.6	NUT NYLSTOP M6	TUERCA NYLSTOP M6
32	M317	RONDELLE 6 X12 0407 6	WASHER X 6	ARANDELA 6 DIN 125 A
36	5479	MOUSSE GUIDON TRIAL SCORPA	FOAM HANDLEBAR SCORPA	ESPUMA MANILLAR TRIAL SCORPA
37	1246	COLLIER RISLAN 7.5X200 MOUSSE O7	COLLIER 7.5X200 07	ABRAZADERA 7.5X200 PROTECTOR MANILLAR 07
38	5518	KIT RESERVOIR POMPE FREIN BRAKTEC	FRONT BRAKE GROUP BRAKTEC	CTO DEPOSITO FRENODELANTERO BRAKTEC

Plastiques / Plastics / Plásticos

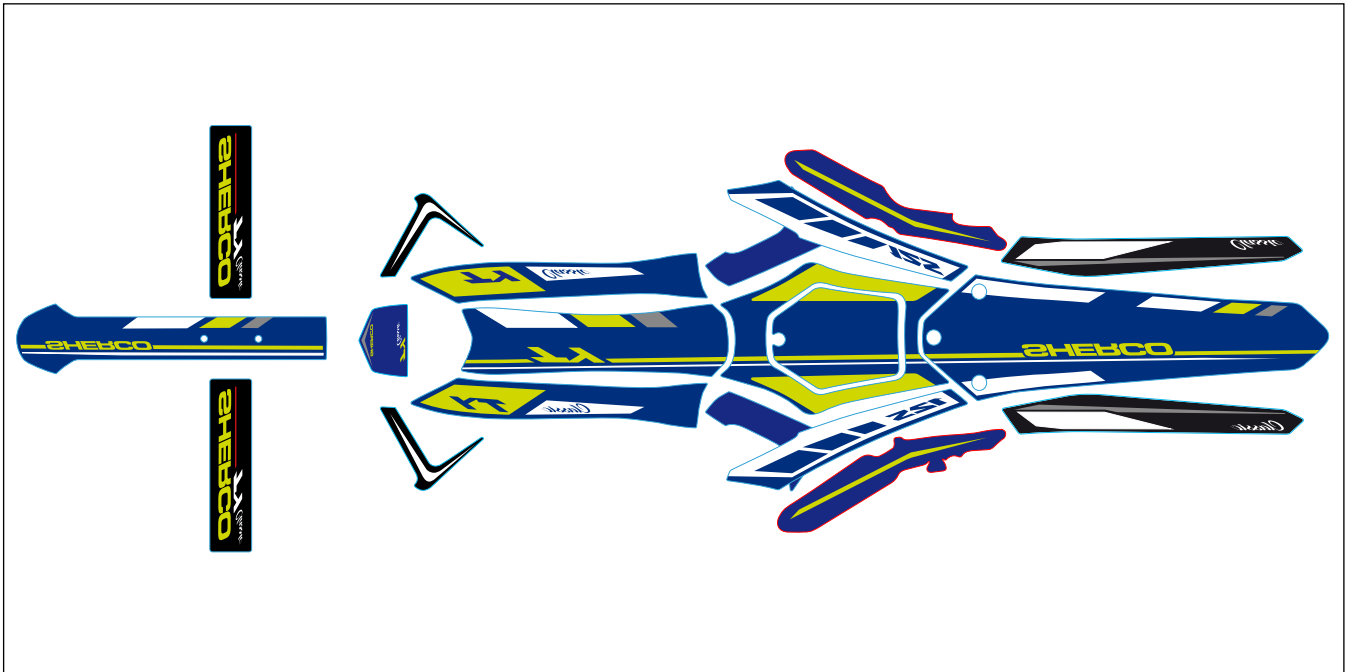


POS.	1.25	FRANÇAIS	ENGLISH	ESPAÑOL
1	7157	ROBINET ESSENCE	PETROL TAP	GRIFO GASOLINA
2	7180	COLLECTEUR D'ESSENCE	FUEL COLLECTOR	COLECTOR DE GASOLINA
3	7988	JOINT COLLECTEUR D'ESSENCE	FUEL COLLECTOR GASKET	JUNTA COLECTOR DE GASOLINA
4	7552	PARE BOUE ARRIERE NOIR TY	REAR MUDGUARD BLACK TY	GUARDABARRO TRASERO NEGRO TY
5	5488	PARE BOUE AVANT NOIR TR SCORPA	FRONT MUDGUARD BLACK TR SCORPA	GUARDABARRO DELANTERO NEGRO TR SCORPA
6	7458	PLAQUE PHARE NOIRE	FRONT LIGHT BLACK	PLACA FARO NEGRA
7	5341	PARE DISQUE AV NOIR TR TECH	DISC COVER FRONT BLACK TR TECH	PROTECTOR DISCO NEGRO DEL. TR TECH
8	7158	COUVERCLES LATÉRAUX GAUCHE ET DROITE	LEFT AND RIGHT LATERAL COVERS	TAPAS LATERALES DERECHA Y IZQUIERDA
9	5725	VALVE ANTI RETOUR PASTIQUE	ANTI RETURN VALVE PLASTIK	VALVULA ANTI RETORNO PLASTICO
10	5581	VIS FHC M6X15 DIN 7991 10.9 ZN NOIR	SCREW FHC M6X15 DIN 7991 10.9 ZN BLACK	TOR. FHC M6X15 DIN 7991 10.9 ZN NEGRO
11	7758	DURITE ESSENCE	FUEL TUBE	TUBO GASOLINA
12	5481	BOUCHON ESSENCE SC/SH	PETROL CAP SCORPA SC/SH	TAPON GASOLINA SCORPA SC/SH
13	5483	JOINT BOUCHON ESSENCE TRIAL SC/SH	SEAL PETROL CAP TRIAL SC/SH	JUNTA TAPON GASOLINA TRIAL SC/SH
14	2937	VIS BHC 5 X8 ISO 7380 ZN NI TR	SCREW BHC 5 X8 ZN NI TR	TORNILLO ULS 5 X 8 ISO 7380 ZN NI TR
14	M278	VIS BHC 5 X10 1093 ZN NI TR	SCREW BHC 5X10 ZN NI TR	TORNILLO 5 X 10 ULS ZN NI TR
15	5502	GOME ETANCHEITE COUVERCLE FILTRE SC. 4X492	SEALING RUBBER COVER FILTER BOX SC. 4X492	GOMA ESTANQUEIDAD TAPA FILTRO SC. 4X492
16	5499	COUVERCLE FILTRE SCORPA	AIR FILTER BOX COVER SCORPA	TAPA FILTRO SCORPA
17	5580	SUPPORT BOITIER FILTRE SCORPA 2015	AIR BOX HOLDER SCORPA 2015	SOPORTE CAJA FILTRO SCORPA 2015
18	5484	BAVETTE AM SC/SH	REAR SHOCK COVER SC/SH	PROTECTOR AMORTIGUADOR SC/SH
19	M308	ECROU CLIP M6 0500500400	NUT CLIP M6	TUERCA CLIP M6
20	3953	VIS CARROSSERIE 6 X 16 ALU NOIR	SCREW BHC 6 X 16 CARROSSERIE ALU BLACK	TORNILLO CARROCERIA 6 X 16 ALU NEGRO
21	5671	ADH DOUBLE FACE BAVETTE AMORTISSEUR	STICKER DOUBLE FACE REAR SHOCK COVER	ADH DOBLE CARA PROTECTOR AMORTIGUADOR
22	5643	ARCEAU FOURCHE	FRONT MURGAR HOLDER	PUESTE HORQUILLA
23	2939	VIS TOLE 3.9 X 19	SCREW TOLE 3.9 X 19	TORNILLO DIN 7981 3.9 X 19
24	1167	VALVE CAISSE FILTRE	VALVE BOX FILTER	VALVULA CA JA FILTRO
25	M343	VIS BHC 6 X 35 1093	SCREW BHC 6 X 35 1093	TORNILLO BHC 6 X 35 1093
26	M331	COLLIER RISLAN100 X 2.5	COLLIER 100 X 2.5	ABRAZADERA 100X 2.5
27	2938	VIS CHC 6 X 12 0084 ZN NI TR - TL 180°	SCREW CHC 6 X 12 ZN NI TR - TL 180°	TORNILLO 6 X 12 DIN 912 ZN NI TR - TL 180°
28	M278	VIS BHC 5 X10 1093 ZN NI TR	SCREW BHC 5X10 ZN NI TR	TORNILLO 5 X 10 ULS ZN NI TR
29	7152	RACCORD FILTRE	MANIFOLD FILTER/CARBU	TOBERA FILTRO CARBU
30	M265	VIS CHC 8 X 60 0084 ZN NI TR - TL 180°	SCREW CHC 8 X 60 ZN NI TR - TL 180°	TORNILLO 8 X 60 ALLEN ZN NI TR - TL 180°
31	M262	VIS CHC 8 X 30 0084 ZN NI TR - TL 180°	SCREW CHC 8 X 30 ZN NI TR - TL 180°	TORNILLO 8 X 30ALLEN ZN NI TR - TL 180°
32	5482	ADESIF THERMIQUE BOITE FILTRE SCORPA	SET THERMIC STICKER FILTER BOX SCORPA	PROTECTOR TERMICO CAJA DE FILTRO SCORPA
33	5672	ADHESIF PROT RESERVOIR KIT	PROTECTOR TANK STICKER KIT	ADHESIVO PROTECCION DEPOSITO KIT
34	5505	AXE FILTRE SC/SH ZINK	AXLE FILTER SC/SH ZINK	EJE FILTRO SC/SH ZINCADO

Plastiques / Plastics / Plásticos

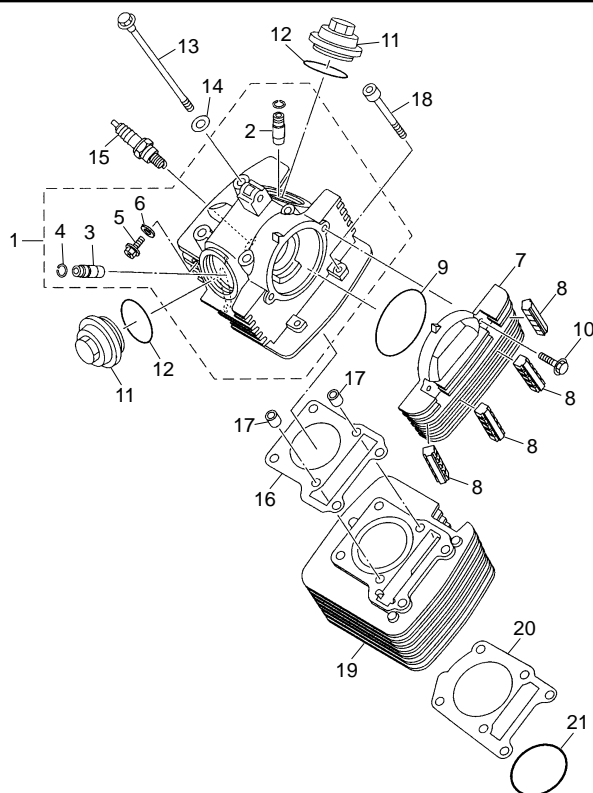


POS.	1.25	FRANÇAIS	ENGLISH	ESPAÑOL
35	5507	BAVETTE INTERIEUR FILTRE SC/SH	INSIDE FILTER COVER SC/SH	PROTECTOR INTERIOR FILTRO SC/SH
36	5723	FIL TORIQUE OUVERT ETANCHEITE BOITE FILTRE	OPEN THREAD SEALING ORING FILTER BOX	HILO TORICA ABIERTA ESTANCO CAJA DE FILTRO
37	5578	MOUSSE DE FILTRE SC/SH 2015	FOAM FILTER SC/SH 2015	ESPUMA FILTRO SC/SH 2015
38	7159	RESERVOIR	PETROL TANK	DEPOSITO
39	3202	FIXATION INTERRUPTOR LUMIERE	STRAP FIX INT	LAPA FIJACION INTERRUPTOR
40	5645	RIVET 4 X 10 LARGE NOIR	RIVET 4 X 10 LARGE BLACK	REMACHE 4 X 10 ALA ANCHA NEGRO
41	5500	BOITE FILTRE SCORPA	AIR FILTER BOX SCORPA	CAJA DE FILTRO SCORPA
42	6135	CHAPE DE FIXATION CAUCHOUX SCORPA FACT.	FIXING PLATE RUBBER AIR BOX SCORPA FACTORY	CHAPA SUJECCIÓN GOMA SCORPA FACTORY
43	5501	SUPPORT FILTRE TRIAL SC/SH	SUPPORT AIR FILTER BOX TRIAL SC/SH	SOPORTE FILTRO TRIAL SC/SH
44	5504	GRILLE MOUSE FILTRE TRIAL SC/SH	SUPPORT FOAM FILTER TRIAL SC/SH	REJILLA ESPUMA FILTRO TRIAL SC/SH
45	5582	VIS FHC M5X16 DIN 7991 10.9 ZN NI TR	SCREW FHC M5X15 DIN 7991 10.9 ZN NI TR	TORNILLO FHC M5X15 DIN 7991 10.9 ZN NI TR
46	5635	VIS 3,5 X 12 BOITE FILTRE	SCREW 3,5 X 12 FILTER BOX	TORNILLO 3,5 X 12 CAJA DE FILTRO
47	4524	VIS BHC 6X12 ISO 7380 10.9 ZN NOIR CARROSS.	SCREW BHC 6X12 ISO 7380 10.9 ZN BLACK BODY	TOR. BHC 6X12 ISO 7380 10.9 ZN NEG. CARROC
48	5752	DURITE MISE A L' AIR SCORPA LONGUE	PETROL TUBE SCORPA LONG	TUBO RESPIRADERO SCORPA LARGO
49	6131	SUPPORT CAUTCHOUX BOITE FILTRE	AIR BOX RUBBER SUPPORT	SOPORTE GOMA CAJA FILTRO
50	5771	ECROU CLIP M6 NOIR	NUT CLIP M6 BLACK	TUERCA CLIP M6 NEGRO
51	5527	VIS BHC 6 X 16 CARROSSERIE NOIR	SCREW BHC 6 X 16 CARROSSERIE BLACK	TORNILLO 6 X 16 ESPECIAL CARROCERIA NEGRO
52	7987	BOITE FILTRE COMPLETE	BODY FILTER COMPLET	CAJA FILTRO COMPLETA
53	7257	LEVIER DE VERROUILLAGE FILTRE	FILTER LOCKING LEVER	PALANCA DE BLOQUEO FILTRO



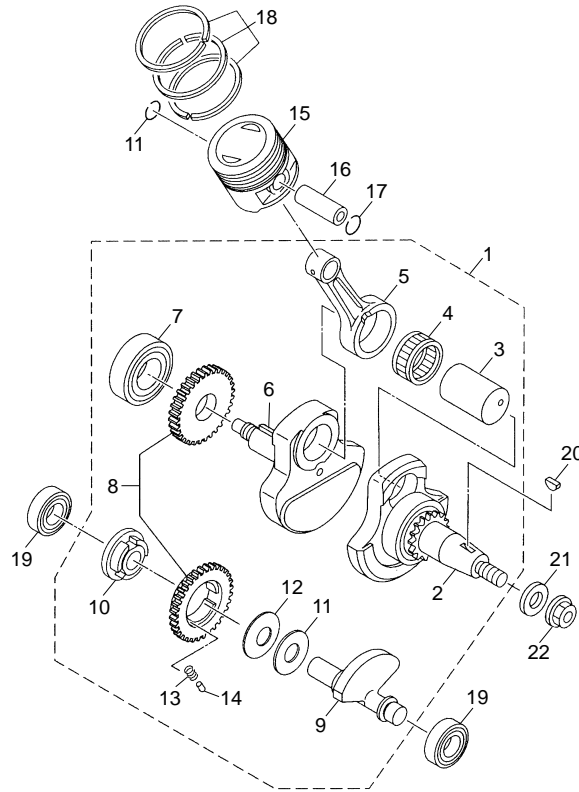
1

POS.	1.25	FRANÇAIS	ENGLISH	ESPAÑOL
1	7160	KIT BLISTER ADH DECORATION TY125	KIT BLISTER ADH DECORATION TY125	KIT BLISTER ADH DECORATION TY125

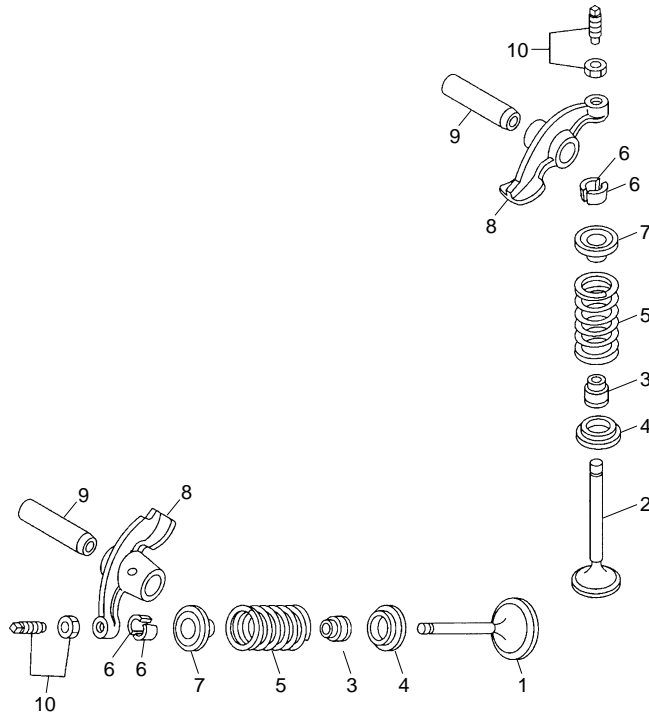
Cylindre / Cylinder / Cilindro


POS.	I.25	FRANÇAIS	ENGLISH	ESPAÑOL
1	Y778	CULASSE	HEAD CYLINDER	CONJUNTO CULATA
2	Y501	GUIDE VALVE ADMISSION	GUIDE INTAKE VALVE	GUÍA VÁLVULA ADMISIÓN
3	Y502	GUIDE VALVE ECHAPPEMENT	GUIDE EXHAUST VALVE	GUÍA VÁLVULA ESCAPE
4	Y781	CIRCLIP	CIRCLIP	CIRCLIP
5	Y782	VIS TH	SCREW HEXAGON	TORNILLO CONTROL FLUJO DE ACEITE
6	Y783	JOINT	GASKET	ARANDELA
7	Y784	CACHE CULASSE CYLINDRE	COVER CYLINDER HEAD SIDE	TAPA LATERAL CULATA
8	Y785	CAOUTCHOUC ANTIVIBRATION	SOUND ABSORBER	GOMA ANTIVIBRACION
9	Y786	JOINT TORIQUE	O-RING	TÓRICA CIERRE TAPA DE VÁLVULA
10	Y787	VIS AVEC RONDELLE	BOLT FLANGE	TORNILLO M6 TAPA LATERAL
11	Y788	BOUCHON REGLAGE BASCULEUR	COVER CYLINDER HEAD SIDE	TAPA DE VÁLVULA
12	Y789	JOINT TORIQUE	O-RING	TÓRICA CIERRE TAPA DE VÁLVULA
13	Y512	VIS AVEC RONDELLE	BOLT FLANGE	TORNILLO M6 TAPA LATERAL
14	Y791	RONDELLE PLATE	WASHER PLATE	ARANDELA TORNILLO CULATA
15	Y514	BOUGIE NGK CR6HSA	PLUG SPARK NGK CR6HSA	BUJÍA NGK CR6HSA
16	Y792	JOINT DE CULASSE	GASKET CYLINDER HEAD	JUNTA DE CULATA
17	Y516	PION CENTREUR	PIN DOWEL	ESPIGA CENTRADORA
18	Y794	VIS	BOLT	TORNILLO
19	Y795	CYLINDRE	CYLINDER	CILINDRO
20	Y796	JOINT D'EMBASE	GASKET CYLINDER	JUNTA CILINDRO
21	Y797	JOINT TORIQUE	O-RING	TÓRICA CIERRE CILINDRO

Villebrequin assemble / Crankshaft assembly / Cigüeñal biela

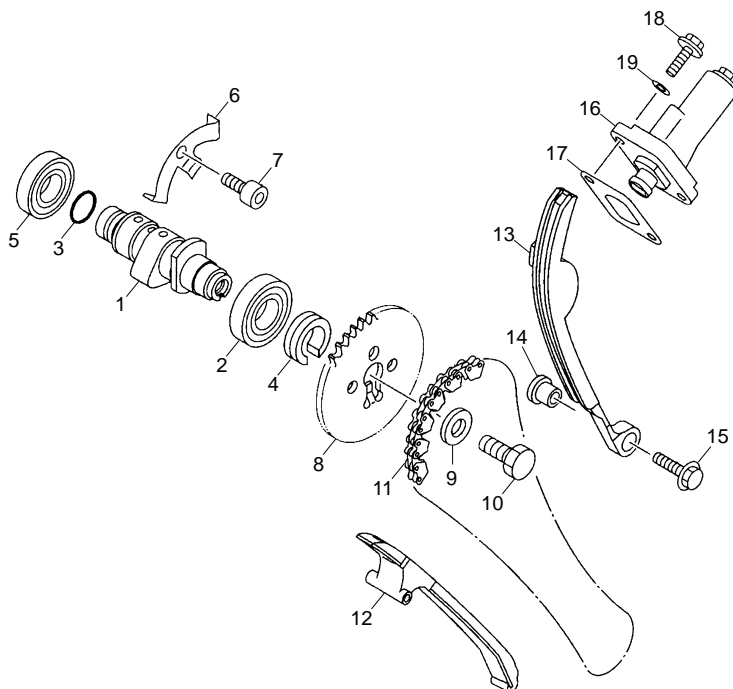


POS.	1.25	FRANÇAIS	ENGLISH	ESPAÑOL
1	Y798	VILLEBREQUIN ASSEMBLE	CRANKSHAFT ASS	CIGÜENAL BIELA
2	Y799	MASSE COTE ALLUMAGE	CRANK IGNITION SIDE	MANIVELA CIGÜENAL LADO IZQ.
3	Y800	MANETTON BIELLE	PIN CRANK	CODO DE CIGÜENAL
4	Y524	ROULEMENT	BEARING	RODAMIENTO
5	Y801	BIELLE	ROD CONNECTING	BIELA
6	Y802	MASSE VILO COTE DROIT	CRANK RIGHT SIDE	MANIVELA CIGÜENAL LADO DERECHO
7	Y803	ROULEMENT	BEARING	RODAMIENTO
8	Y804	BALANCIER D'ÉQUILIBRAGE ASS	GEAR BALANCE WELGHT ASSY	EJE BALANCE ASSY
9	Y805	BALANCIER D'ÉQUILIBRAGE	WEIGHT	EJE BALANCE
10	Y806	AMORTISSEUR DE CHOC	BUFFER	AMORTIGUADOR
11	Y807	PLAT D'AMORTISSEUR	PLATE ABSORBER	PLACA AMORTIGUADORA
12	Y808	RONDELLE CONIQUE	WASHER CONICAL SPRING	ARANDELA CONICO
13	Y809	RESSORT DE COMPRESSION	SPRING COMPRESSION	RESORTE
14	Y810	AXE	PIN DOWEL	BULON
15	Y811	PISTON	PISTON	PISTON
16	Y812	AXE DE PISTON	PIN PISTON	BULON PISTÓN
17	Y813	CIRCLIP	CIRCLIP	CIRCLIP
18	Y814	SEGMENT STD	PISTON RING SET STD	CONJUNTO AROS PISTÓN
19	Y815	ROULEMENT	BEARING	RODAMIENTO
20	Y539	CLAVETTE DEMI LUNE	KEY WOODRUFF	CHAVETA MEDIALUNA
21	Y540	RONDELLE PLATE	WHASHER PLATE	ARANDELA PLANA
22	Y818	ECROU	NUT FLANGE	TUERCA



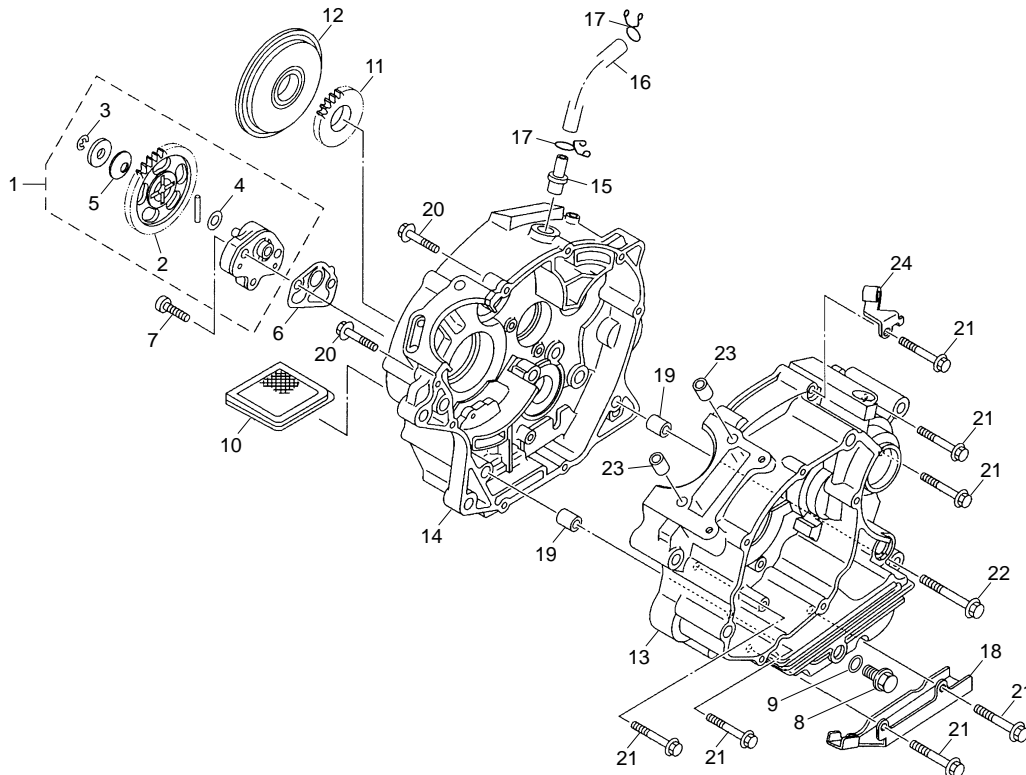
POS.	I.25	FRANÇAIS	ENGLISH	ESPAÑOL
1	Y819	SOUPAPE D'ADMISSION	CVALVE INTAKE	VÁLVULA ADMISIÓN
2	Y820	SOUPAPE D'ÉCHAPPEMENT	VALVE EXHAUST	VÁLVULA DE ESCAPE
3	Y821	LARMIER SOUPAPE	SEAL VALVE STEM	ANILLO DE RETENCIÓN
4	Y822	RONDELLE APPUI RESSORT	SEAL VALVE SPRING	ASIENTO RESORTE VÁLVULA
5	Y823	RESSORT SOUPAPE	SPRING VALVE	RESORTE VÁLVULA
6	Y824	DEMI CLAVETTE SOUPAPE	COTTER VALVE	BICONO DE VÁLVULAS
7	Y825	RONDELLE RETENUE SOUPAPE	RETAINER VALVE SPRING	ASIENTO DE BICONO DE VÁLVULA
8	Y826	BASCULEUR	ARM VALVE ROCKER	BALANCÍN
9	Y827	AXE BASCULEUR	SHAFT ROCKER	EJE DE BALANCÍN
10	Y828	VIS REGLAGE VALVE + ECROU	SCREW VALVE ADJSUTING	TORNILLO DE AJUSTE DE VÁLVULA

Systeme distribution / Distribution system / Sistema de distribución

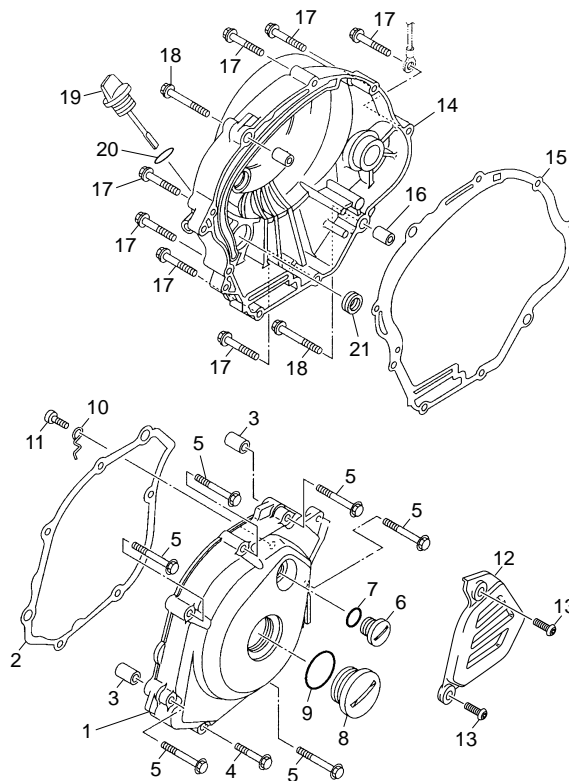


POS.	I.25	FRANÇAIS	ENGLISH	ESPAÑOL
1	Y829	ARBRE À CAM	CAMSHAFT	ÁRBOL DE LEVAS
2	Y830	ROULEMENT	BEARING	RODAMIENTO
3	Y831	JOINT TORIQUE	O-RING	ANILLO
4	Y832	PION DE CENTRAGE	COLLAR	CASQUILLO GUÍA
5	Y833	ROULEMENT	BEARING	RODAMIENTO
6	Y834	PLAQUE DE RETENUE	PLATE	RETENCIÓN
7	Y835	VIS	BOLT	TORNILLO
8	Y836	PIGNON ENTRAINEMENT CHAINE	SPROCKET CAM CHAIN	PIÑÓN CADENA
9	Y559	RONDELLE PLATE	WASHER PLATE	ARANDELA PLANA
10	Y838	VIS	BOLT	TORNILLO
11	Y839	CHAÎNE	CHAIN	CADENA DE DISTRIBUCIÓN
12	Y840	PATIN DE CHAINE	GUIDE STOPPER	TOPE DE GUÍA CADENA
13	Y841	PATIN DE CHAINE TENDEUR	GUIDE STOPPER	TOPE DE GUÍA CADENA
14	Y842	PION DE CENTRAGE	COLLAR	CASQUILLO GUÍA
15	Y843	VIS	BOLT FLANCHE	TORNILLO
16	Y844	TENDEUR DE CHAINE	TENSIONER ASSY	ENSOR CADENA DE DISTRIBUCIÓN
17	Y845	JOINT TENDEUR DE CHAINE	GASKET TENSIONER CASE	JUNTA TENSOR
18	Y846	VIS AVEC RONDELLE	BOLT FLANGE	TORNILLO CON ARANDELA
19	Y569	RONDELLE	GASKET	JUNTA TORNILLO

Carter centrause / Central crankcase / Cártel central

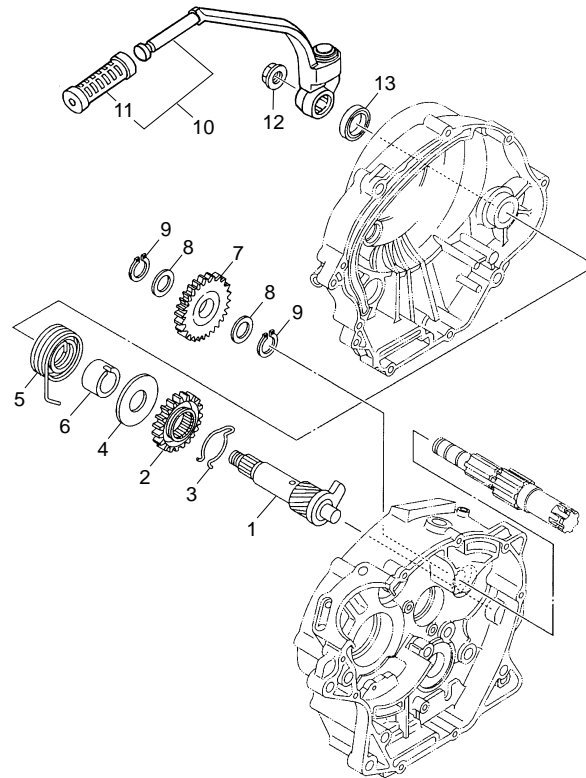


POS.	I.25	FRANÇAIS	ENGLISH	ESPAÑOL
1	Y848	POMPE A HUILE ASS	OIL PUMP ASSY	BOMBA DE ACEITE COMPLETA
2	Y849	PIGNON ENTRAINEMENT POMPE	GEAR PUMP DRIVEN	ENGRANAJE TRACCIÓN BOMBA
3	Y572	CIRCLIP	CIRCLIP	CIRCLIP
4	Y574	RONDELLE PLATE	WHASER PLATE	ARANDELA PLANO
5	Y573	RONDELLE CONIQUE	WHASER CONICAL SPRING	ARANDELA CÓNICO
6	Y853	JOINT DE COUVERCLE DE POMPE	GASKET PUMP COVER	JUNTA TAPA DE BOMBA
7	Y854	VIS DE POMPE	SCREW FLAT FILLISTER	TAPA BOMBA
8	Y576	VIS DE VIDANGE	PLUG STRAIGHT SCREW	TAPÓN DE VACIADO
9	Y577	JOINT	GASKET	JUNTA
10	Y578	CREPINE	STRAINER OIL	FILTRO DE ACEITE
11	Y858	PIGNON ENTRAINEMENT POMPE	GEAR PUMP DRIVE	ENGRANAJE TRACCIÓN BOMBA
12	Y859	FILTRE ROTATIF	FILTER ROTARY	FILTRO ROTATIVO
13	Y864	CARTER GAUCHE	CRANKCASE LEFT	CARTER IZQUIERDA
14	Y865	CARTER DROIT	CRANKCASE RIGHT	CARTER DERECHA
15	Y866	TUBE RENIFLARD	PIPE BREATHER	ESPIGA RESPIRADERO
16	Y867	TUBE RENIFLARD	PIPE BREATHER	ESPIGA RESPIRADERO
17	Y868	COLLIER CLIP	CLIP	PRESILLA
18	Y628	PROTECTION	PROTECTION	PROTECCIÓN
19	Y870	PION DE CENTRAGE	PIN DOWEL	PASADOR DE ESPIGA
20	Y871	VIS M6	BOLT FLANGE M6	TORNILLO M6
21	Y872	VIS M6	BOLT FLANGE M6	TORNILLO M6
22	Y873	VIS M6	BOLT FLANGE M6	TORNILLO M6
23	Y870	PION DE CENTRAGE	PIN DOWEL	PASADOR DE ESPIGA
24	Y874	SUPPORT CABLE EMBRAYAGE	HOLDER CLUTCH CABLE	SOSTÉN CABLE DE EMBRAGUE

Carter letreause / Lateral crankcase / Cártter lateral


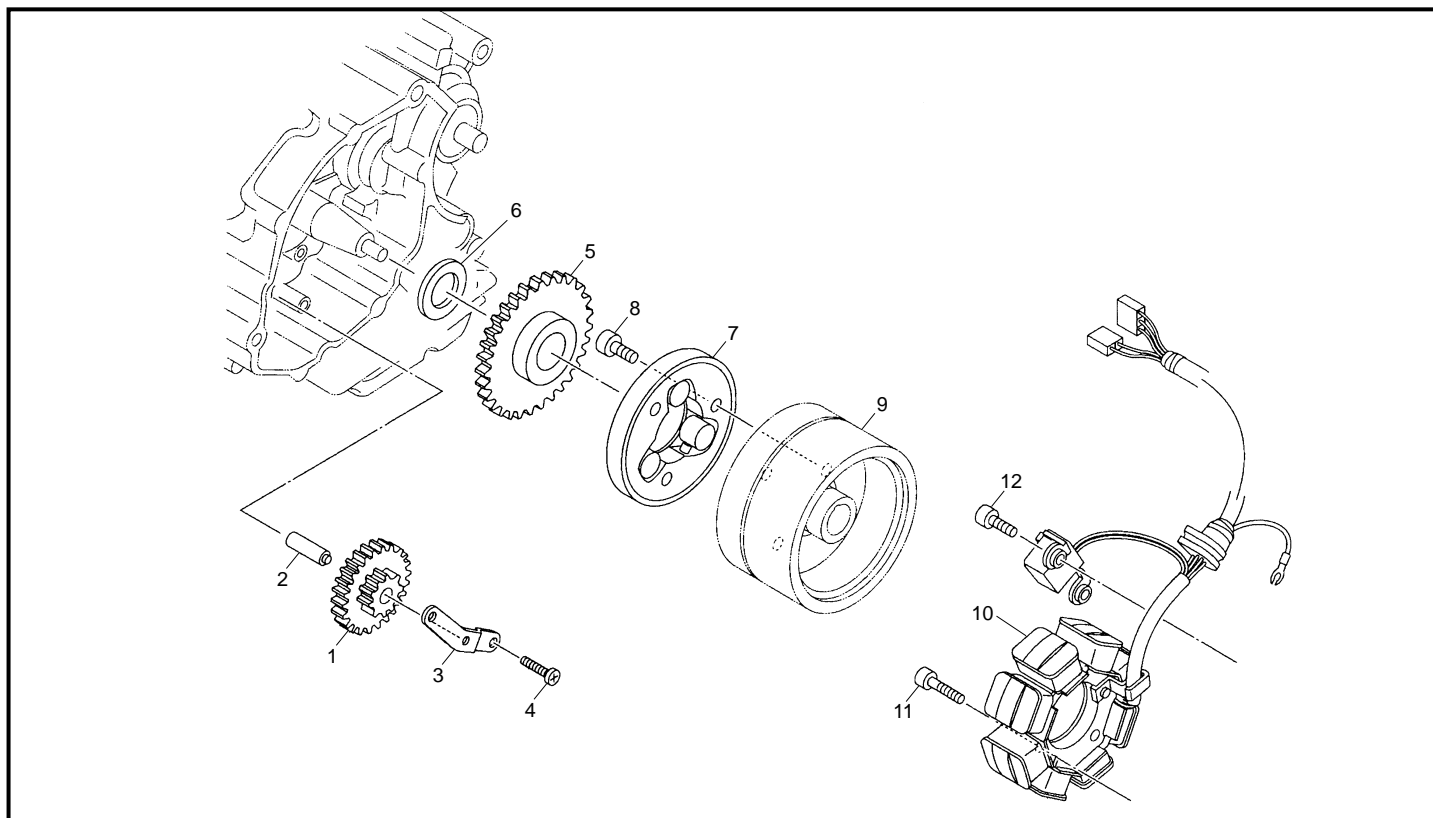
POS.	1.25	FRANÇAIS	ENGLISH	ESPAÑOL
1	Y875	CACHE LATERAL GAUCHE	COVER CRANKCASE LEFT	TAPA CARTER IZQUIERDA
2	Y876	JOINT DE CARTER GAUCHE	GASKET CRANKCASE LEFT	JUNTA TAPA CARTER IZQUIERDA
3	Y870	PION DE CENTRAGE	PIN DOWEL	CASQUILLO CENTRADOR
4	Y878	VIS M6	BOLT FLANGE M6	TORNILLO M6
5	Y878	VIS M6	BOLT FLANGE M6	TORNILLO M6
6	Y880	VIS REGARD	PLUG STRAIGHT SCREW	TAPÓN DE CONTROL
7	Y881	JOINT TORIQUE	O-RING	TÓRICA TAPÓN DE CONTROL
8	Y882	VIS REGARD	PLUG STRAIGHT SCREW	TAPÓN CENTRAL
9	Y883	JOINT TORIQUE	O-RING	TÓRICA TAPÓN DE CONTROL
10	Y884	FIX CABLE	PLATE	FIJADOR
11	Y885	VIS CRICIFORME	SCREW PAN HEAD	TORNILLO FIJADOR
12	2601	CACHE PIGNON	COVER CHAIN CASE	CUBRE CADENA
13	Y887	VIS	SCREW BIND	TORNILLO
14	Y888	CACHE LATERAL DROIT	COVER CRANKCASE RIGHT	TAPA CARTER DERECHA
15	Y889	JOINT DE CARTER DROIT	GASKET CRANKCASE RIGHT	JUNTA TAPA CARTER DERECHA
16	Y870	PION DE CENTRAGE	PIN DOWEL	CASQUILLO CENTRADOR
17	Y878	VIS M6	BOLT FLANGE M6	TORNILLO M6
18	Y872	VIS M6	BOLT FLANGE M6	TORNILLO M6
19	Y893	BOUCHON NIVEAU D'HUILE	PLUG OIL LEVEL	TAPÓN DE NIVEL ACEITE
20	Y877	JOINT TORIQUE	O-RING	TÓRICA NIVEL DE ACEITE
21	Y890	JOINT SPI	OIL SEAL	RETÉN

Systeme demarreur / Start system / Sistema de arranque

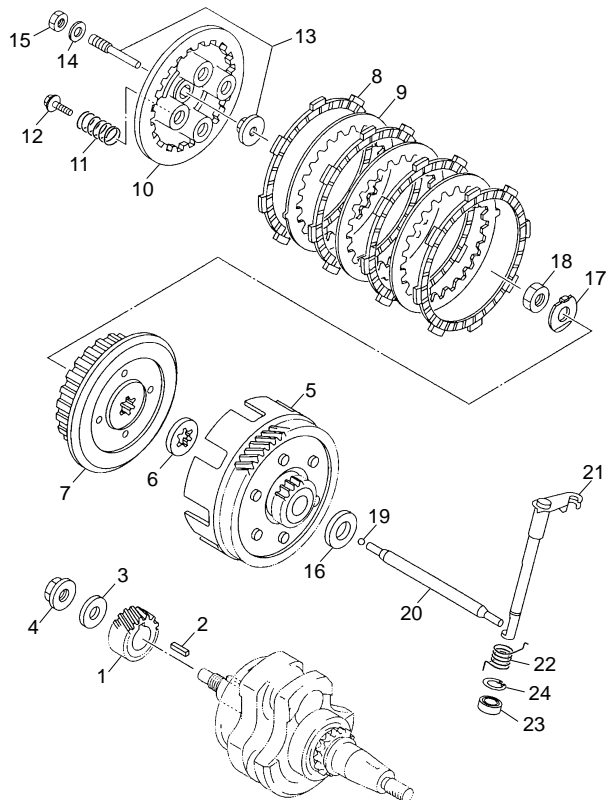


POS.	I.25	FRANÇAIS	ENGLISH	ESPAÑOL
1	Y891	ARBRE DE KICK	KICK AXLE ASSY	EJE PEDAL ARRANQUE
2	Y892	PIGNON	GEAR KICK	ENGRANAJE PEDAL ARRANQUE
3	Y894	CLIP	CLIP	CLIP
4	Y895	RONDELLE PLATE	WASHER PLATE	ARANDELA PLANA
5	Y896	RESSORT DE TORSION	SPRING TORSION	MUELLE DE TORSIÓN
6	Y897	ENTRETOISE	SPACER	CASQUILLO
7	Y898	PIGNON FOU	GEAR KICK IDLE	PIÑÓN LIBRE PEAL ARRANQUE
8	Y899	RONDELLE PLATE	WASHER PLATE	ARANDELA PLANA
9	Y664	CIRCLIP	CIRCLIP	CIRCLIP
10	7164	KICK COMPLET TY125 4T	KICK CRANK ASSY TY125 4T	PEDAL ARRANQUE COMPETO TY125 4T
11	Y902	PROTECTION PLASTIQUE	COVER KICK LEVER	GOMA PEDAL
12	Y667	ECROU M12	NUT M12	TUERCA M12
13	Y904	JOINT SPY	OIL SEAL	RETENEDOR

Essemble allumage / Ignition system / Sistema de encendido

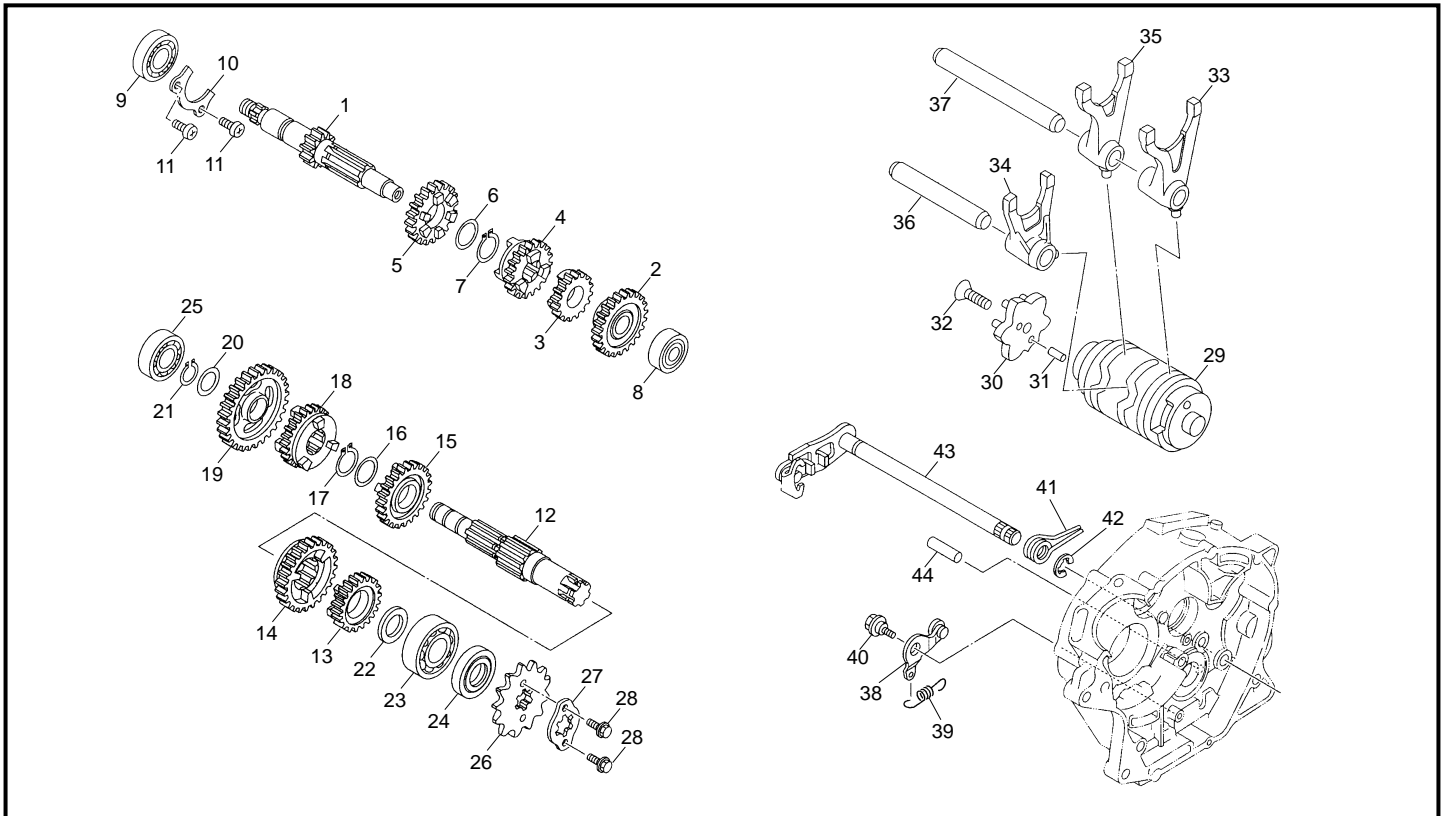


POS.	I.25	FRANÇAIS	ENGLISH	ESPAÑOL
1	Y905	PIGNON NEUTRE	GEAR IDLER	PINÓN ARRANQUE
2	Y906	ARBRE	SHAFT	EJE
3	Y907	PLAQUE DE VERROUILLAGE	PLATE IDLE GEAR	PLATINA PIÑÓN DE ARRANQUE
4	Y908	VIS	SCREW PAN HEAD	TORNILLO
5	Y909	PIGNON	GEAR IDLER	PIÑÓN
6	Y910	RONDELLE PLATE	WHASHER PLATE	ARANDELA PLANA
7				
8	Y676	VIS	BOLT	TORNILLO
9				
10	Y981	STATOR COMPLET	STATOR ASSY	ESTATOR COMPLETO
11	Y982	VIS	SCREW	TORNILLO
12	Y983	VIS	SCREW	TORNILLO

Embrayage / Clutch / Embrague


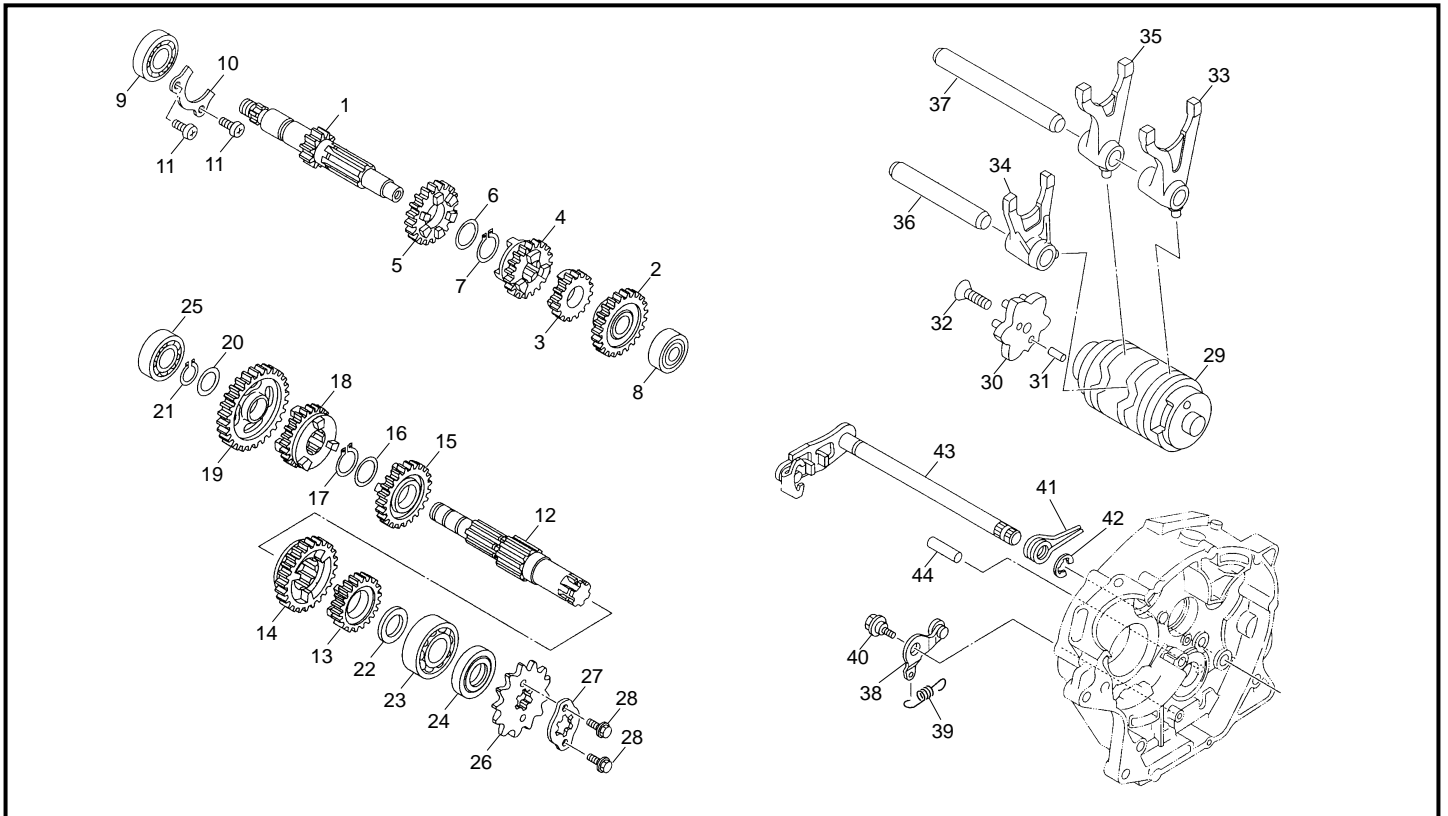
POS.	I.25	FRANÇAIS	ENGLISH	ESPAÑOL
1	Y912	PIGNON	GEAR PRIMARY DRIVE	CORONA TRANS PRIMARIA
2	Y678	CLAVETTE	KEY STAIGHT	CHAVETA RECTA
3	Y914	RONDELLE PLATE	WASHER PLATE	ARANDELA PLATA
4	Y667	ECROU M12	NUT M12	TUERCA M12
5	Y916	CLOCHE EMBRAYAGE	CLUTCH BASKET ASS	CAMPANA DE EMBRAGUE
6	Y917	RONDELLE	PLATE THRUST	ARANDELA
7	Y918	NOIX D'EMBAYAGE	CLUTCH HUB	CUBO DE EMBRAGUE
8	Y919	DISQUE DE FRICTION	PLATE FRICTION	DISCO DE EMBRAGUE
9	Y920	DISQUE LISSE	PLATE CLUTCH	PLATO DE FRICCIÓN
10	Y921	PLATEAU DE PRESSION	PLATE PRESSURE	PLATO DE PRESIÓN
11	Y922	RESSORT D'EMBAYAGE	SPRING CLUTCH	MUELLE DE COMPRESIÓN
12	Y923	VIS EPAULE	SCREW SPRING	TORNILLO CON ARANDELA
13	Y924	MÉCANISME DE POUSSÉ COMPLET	PUSH LEVER ASS	EMPUJE CPL
14	Y925	RONDELLE	WASHER	ARANDELA
15	Y926	ECROU	NUT	TUERCA
16	Y927	RONDELLE FRICTION	PLATE THRUST	ARANDELA
17	Y696	RONDELLE DE BLOCAGE	WASHER LOCK	ARANDELA DE CIERRA
18	Y697	ECROU	NUT	TUERCA
19	Y930	BILLE	BALL	BOLA
20	Y931	AXE DE POUSSÉ	ROD PUSH	VARILLA DE EMPUJE
21	Y932	LEVIER D'EMBAYAGE	PUSH LEVER	PALANCA DE EMPUJE
22	Y933	RESSORT DE TORSION	SPRING TORSION	MUELLE DE TORSIÓN
23	Y934	JOINT SPI	OIL SEAL	RETEN
24	Y703	CIRCLIP	CIRCLIP	PRESILLA RONDADA

Transmission / Transmission / Transmisión

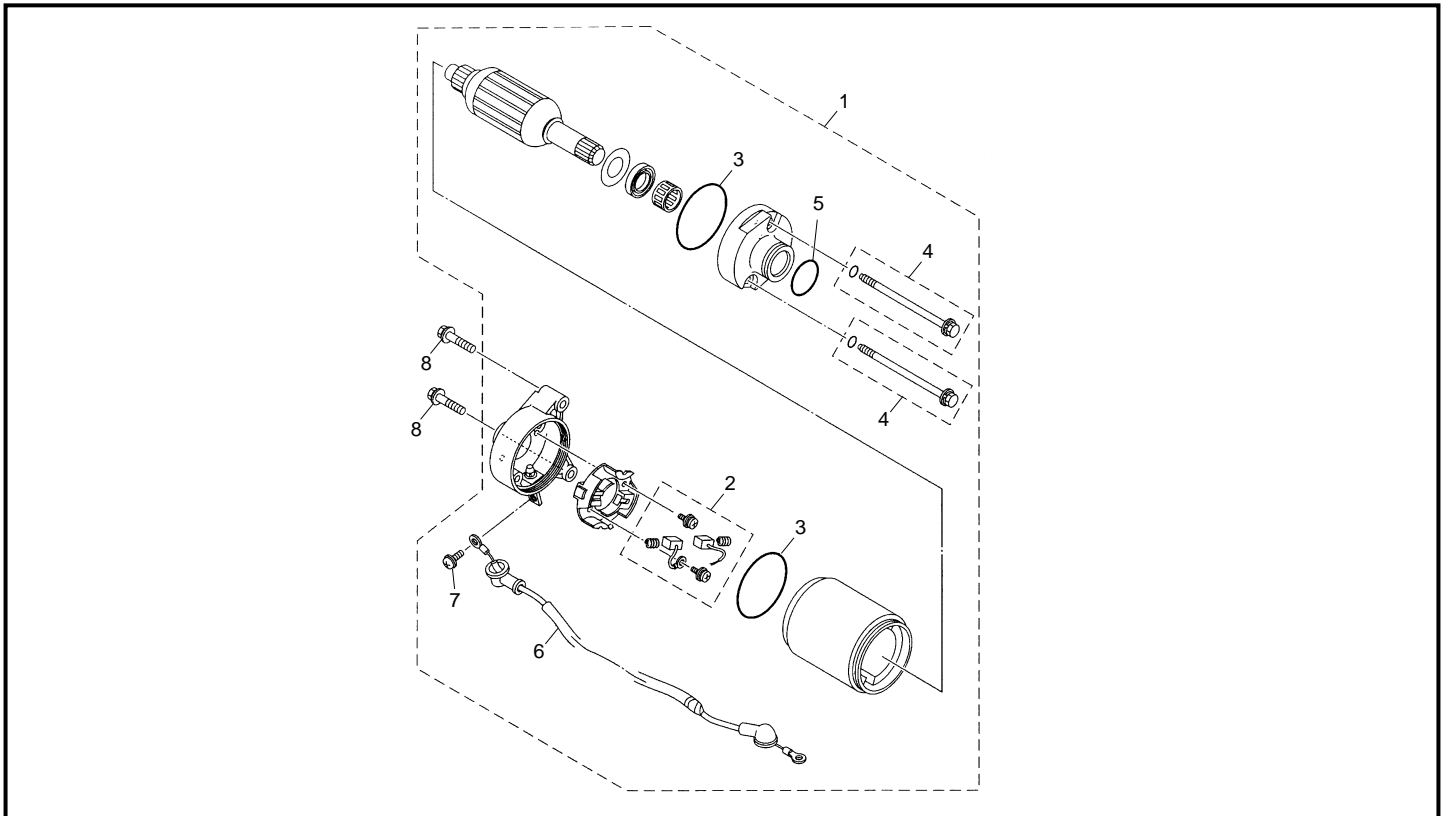


POS.	1.25	FRANÇAIS	ENGLISH	ESPAÑOL
1	Y915	AXE PRIMAIRE	AXLE MAIN	TEJE PRIMARIO
2	Y936	PIGNON 5TH Z=24	GEAR 5TH PINION	PIÑÓN DE 5
3	Y937	PIGNON 2ND Z=19	GEAR 2ND PINION	PIÑÓN DE 2
4	Y938	PIGNON 3RD Z=19	GEAR 3RD PINION	PIÑÓN DE 3
5	Y939	PIGNON 4TH Z=22	GEAR 4TH PINION	PIÑÓN DE 4
6	Y709	RONDELLE PLATE	WASHER PLATE	ARANDELA
7	Y710	CIRCLIP	CIRCLIP	CIRCLIP
8	Y942	ROULEMENT	BEARING	RODAMIENTO
9	Y943	ROULEMENT	BEARING	RODAMIENTO
10	Y944	PLAQUE BUTÉE	PLATE COVER	PLACA FIJACIÓN RODAMIENTO
11	Y945	VIS	SCREW PAN HEAD	TORNILLO
12	Y946	ARBRE SECONDAIRE ASSY	DRIVE AXLE ASSY	EJE SECUNDARIO
13	Y947	PIGNON 5TH Z=21	GEAR 5TH WHEEL	RUEDA DE 5
14	Y948	PIGNON 2ND Z=32	GEAR 2ND WHEEL	RUEDA DE 2
15	Y949	PIGNON 3RD Z=25	GEAR 3RD WHEEL	RUEDA DE 3
16	Y709	RONDELLE PLATE	WASHER PLATE	ARANDELA
17	Y710	CIRCLIP	CIRCLIP	CIRCLIP
18	Y952	PIGNON 4TH Z=23	GEAR 4TH WHEEL	RUEDA DE 4
19	Y953	PIGNON 1ST Z=37	GEAR 1ST WHEEL	RUEDA DE 1
20	Y954	RONDELLE PLATE	WASHER PLATE	ARANDELA PLANA
21	Y955	CIRCLIP	CIRCLIP	CIRCLIP
22	Y725	RONDELLE PLATE	WASHER PLATE	ARANDELA PLANA
23	Y957	ROULEMENT	BEARING	RODAMIENTO
24	Y958	JOINT SPI	OIL SEAL	JUNTA SPI
25	Y728	ROULEMENT	BEARING	RODAMIENTO
26	Y729	PIGNON Z14 HOMOLOGATION	SPROCKET DRIVE 14 HOMOLOGATION	PIÑÓN SALIDA DENRADO 14 HOMOLOGACION
27	Y960	CLIP DE VERROUILLAGE	HOLDER SPROCKET	SOPORTE PIÑÓN
28	Y950	VIS	BOLT FLANGE	TORNILLO
29	Y951	BARRILLET DE SELECTION	SHIFT CAM ASSY	TAMBOR SELECTOR
30	Y733	ETOILE DE SELECTION	SEGMENT	ESTRELLA
31	Y962	PION	PIN DOWEL	PASADOR DE CLAVIJA
32	Y963	VIS	SCREW	TORNILLO
33	Y964	FOURCHETTE DE SELECTION 1	FORK SHIFT 1	HORQUILLA DEL CAMBIO 1
34	Y965	FOURCHETTE DE SELECTION 2	FORK SHIFT 2	HORQUILLA DEL CAMBIO 2
35	Y966	FOURCHETTE DE SELECTION 3	FORK SHIFT 3	HORQUILLA DEL CAMBIO 3
36	Y967	AXE DE FOURCHETTE	BAR SHIFT FORK GUIDE 1	EJE HORQ. CAMBIO 1

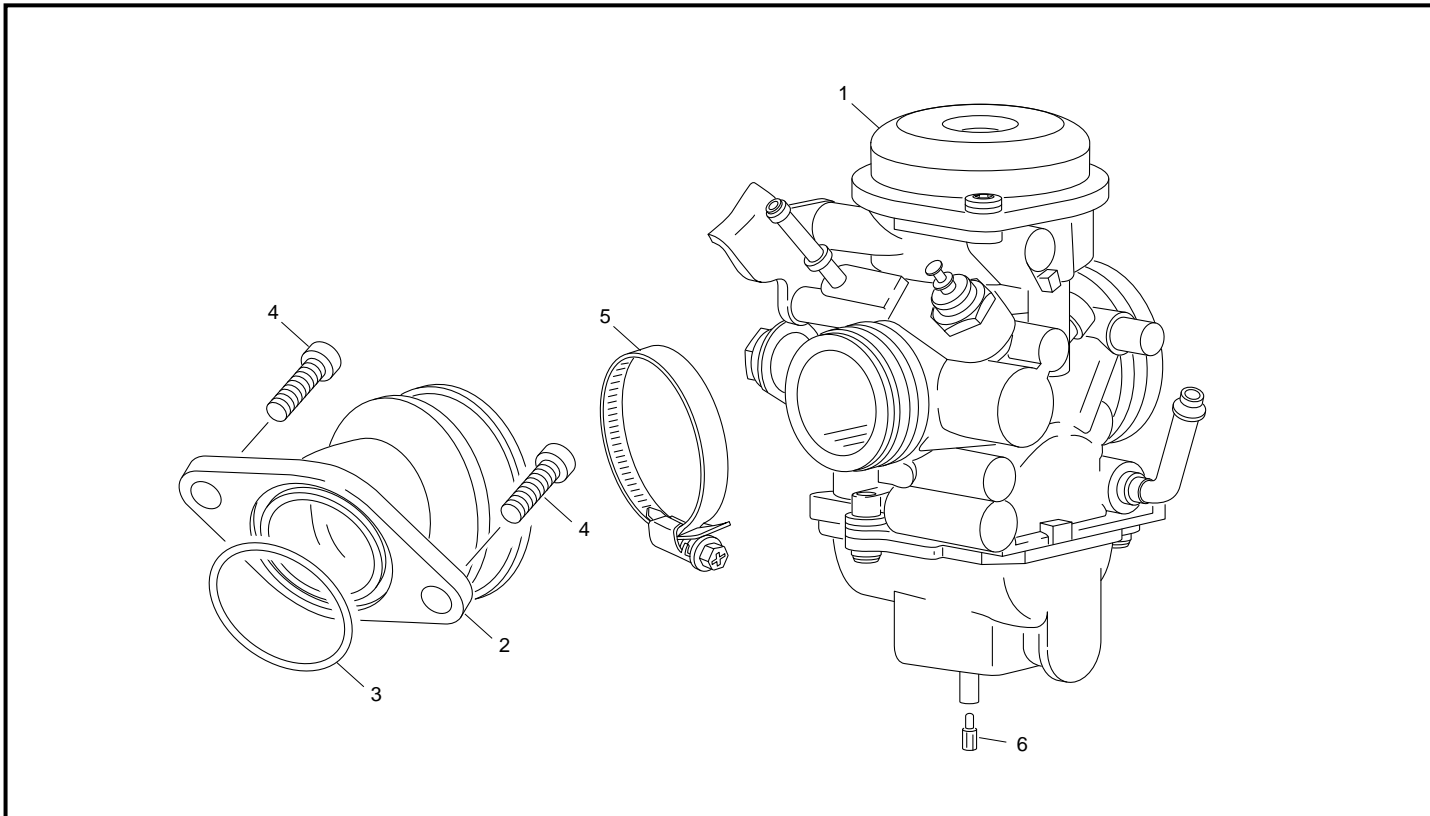
Transmission / Transmission / Transmisión



POS.	I.25	FRANÇAIS	ENGLISH	ESPAÑOL
37	Y968	AXE DE FOURCHETTE	BAR SHIFT FORK GUIDE 2	EJE HORQ. CAMBIO 2
38	Y969	LEVIER DE BUTÉE	STOPPER LEVER ASSY	PALANCA DE TOPE
39	Y970	RESSORT	SPRING	MUELLE
40	Y971	VIS DE BLOCAGE	BOLT STOPPER	TORNILLO
41	Y744	RESSORT DE TORSION	SPRING TORSION	MUELLE DE TORSIÓN
42	Y745	CIRCLIP	CIRCLIP	CIRCLIP
43	Y975	ARBRE DE SELECTION	SHIFT SHAFT ASSY	EJE SELECTOR

Démarreur électrique / Kiclerstarter / Arranque eléctrico


POS.	I.25	FRANÇAIS	ENGLISH	ESPAÑOL
1	Y984	DEMARREUR COMPLET	STARTING MOTOR ASSY	MOTOR ARRANQUE COMPLETO
2	Y985	CHARBON	BRUSH SET	JUEGO DE ESCOBILLAS
3	Y755	JOINT TORIQUE	O-RING	ANILLO TÓRICO
4	Y987	VIS	BOLT	TORNILLO
5	Y988	JOINT TORIQUE	O-RING	ANILLO TÓRICO
6	Y989	CABLE ÉLECTRIQUE	ELECTRIC WIRE ASS	CABLE COMPLETO
7	Y990	VIS	SCREW	TORNILLO
8	Y991	VIS	SCREW	TORNILLO

Carburateur / Carburator / Carburador


POS.	1.25	FRANÇAIS	ENGLISH	ESPAÑOL
1	7236	CARBURATEUR TY125 4T	CARBURATOR TY125 4T	CARBURADOR TY125 4T
2	7166	PIPE D'ADMISSION	INLET PIPE	TOBERA DE ADMISIÓN
3	3643	JOINT TORIQUE	O-RING	JUNTA TORICA
4	M283	VIS M6X16	SCREW M6X16	TORNILLO M6X16
5	C110	COLLIER DE SERRAGE 32/50	CLAMP 32/50	ABRAZADERA 32/50
6	7761	GICLEUR PRINCIPAL MIKUNI 130	MIKUNI MAIN JET 130	GICLE PRINCIPAL MIKUNI 130

SHERCO
Motorcycles

BY
OXIA

ZIP

Classic

PLAY WITH GRAVITY

2019

SHERCO
www.sherco.com

created by: www.ciandisseny.com

CBRAKTEC

GALFER

MINERVA OIL